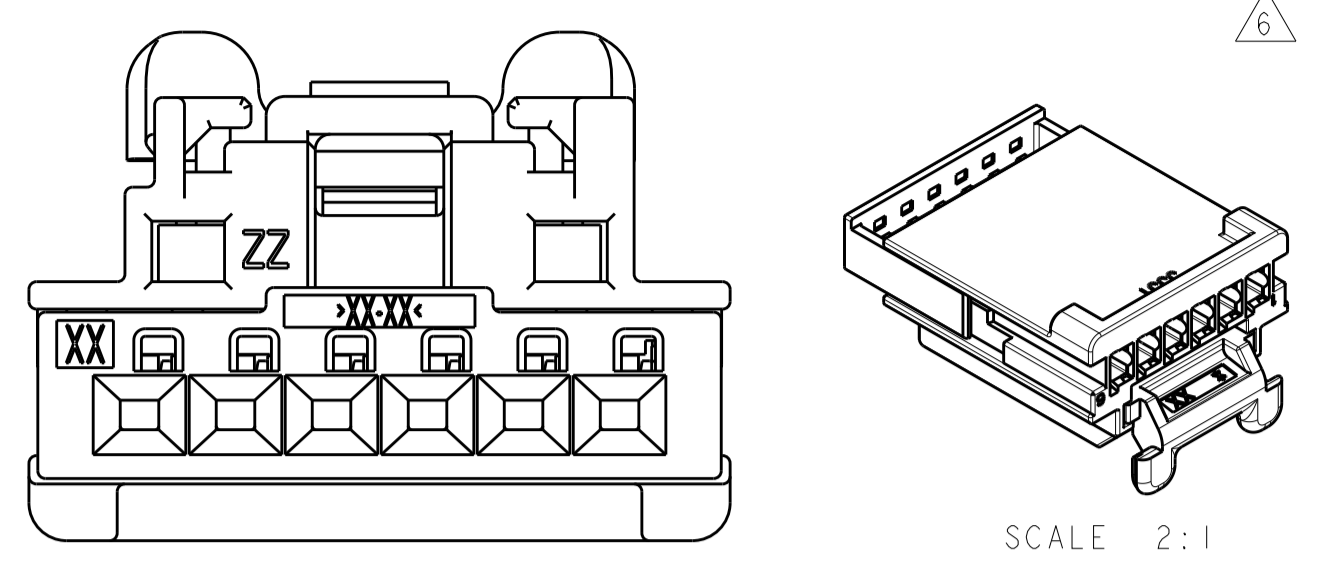


REVISIONS				
P.	LTN	DESCRIPTION	DATE	OWN APVD
B1		REVISED PER ECO-15-011565	21AUG2015	DLD DCM
B2		REVISED PER ECO-17-009179	23JUN2017	DLD DCM
B3		REVISED PER ECO-18-009918	26JUN2018	JMS CM
B4		REVISED PER ECO-18-013902	31AUG2018	JMS CM

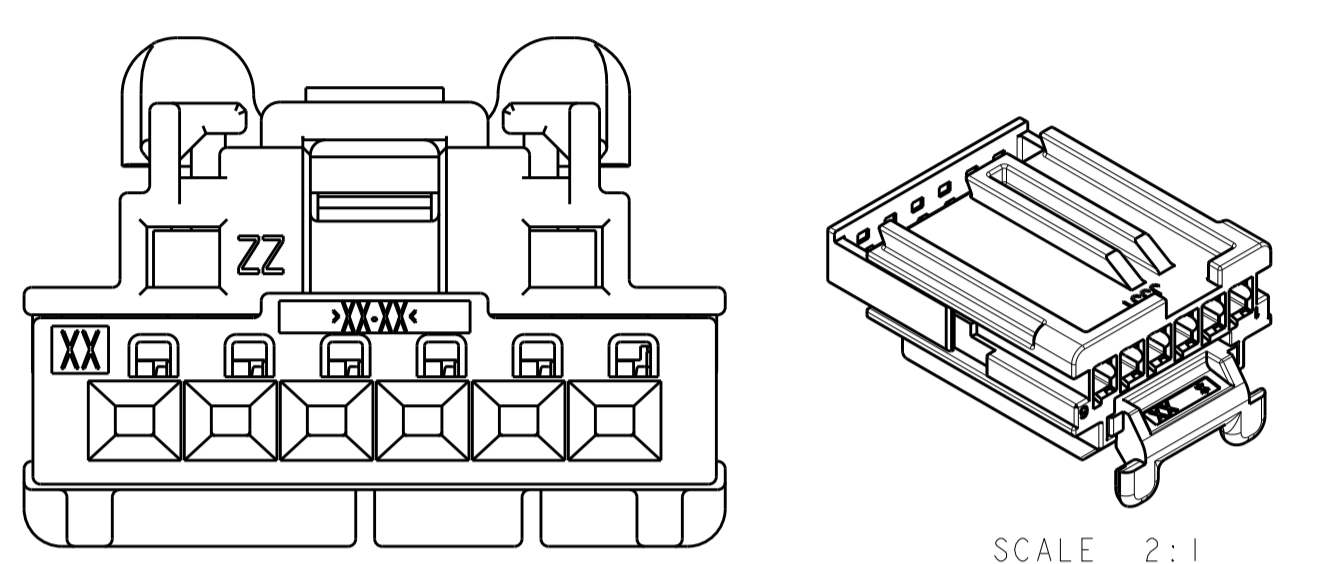
KEYING OPTIONS
(SHOWN WITH CPA)

KEYING OPTION: B



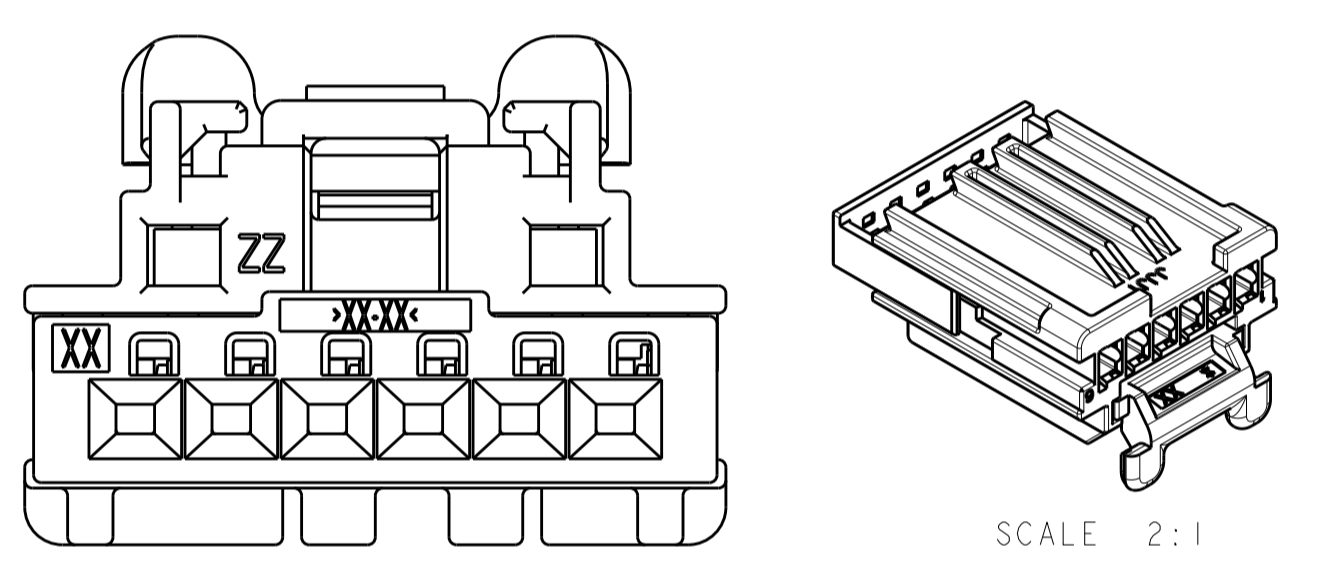
SCALE 2:1

KEYING OPTION: C



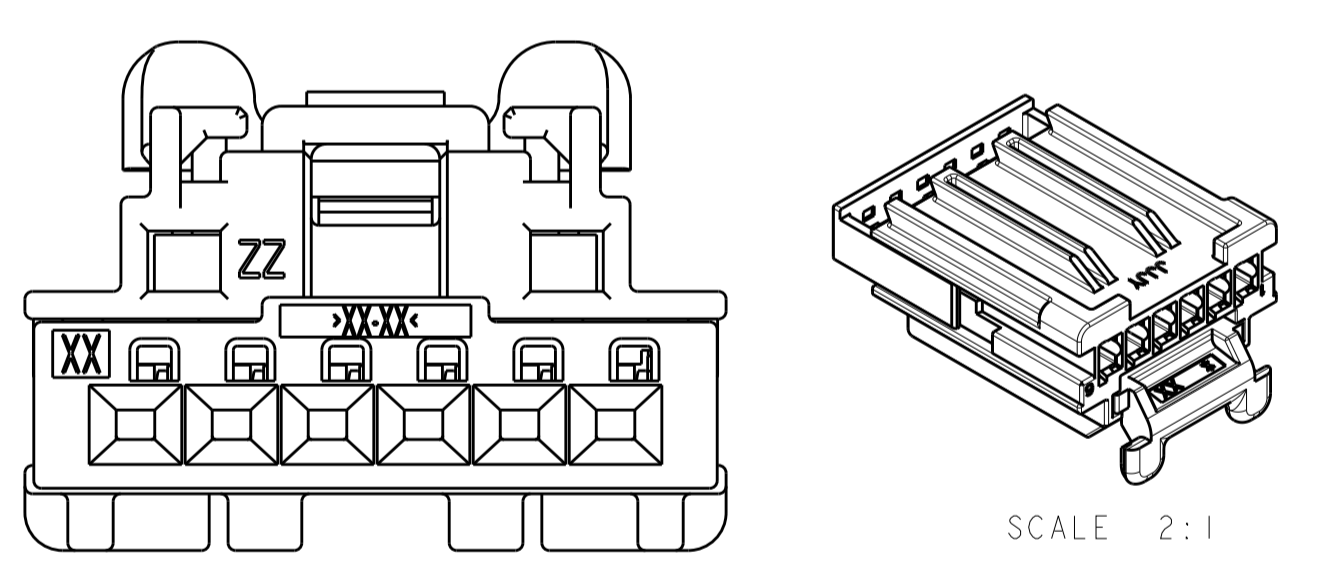
SCALE 2:1

KEYING OPTION: D



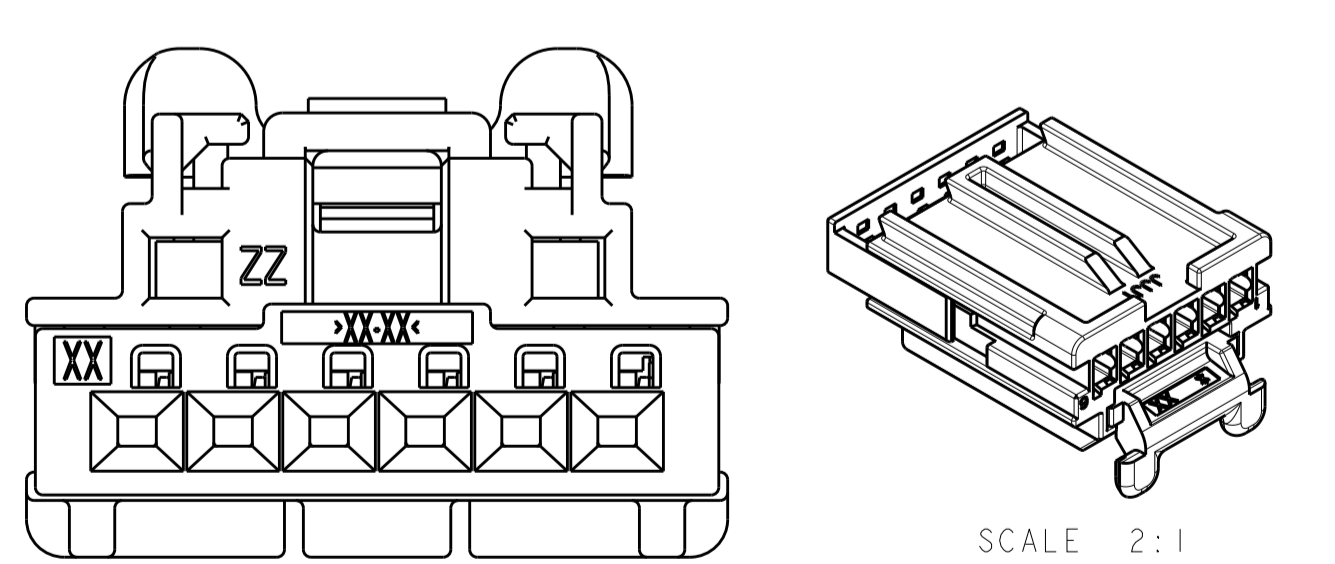
SCALE 2:1

KEYING OPTION: E

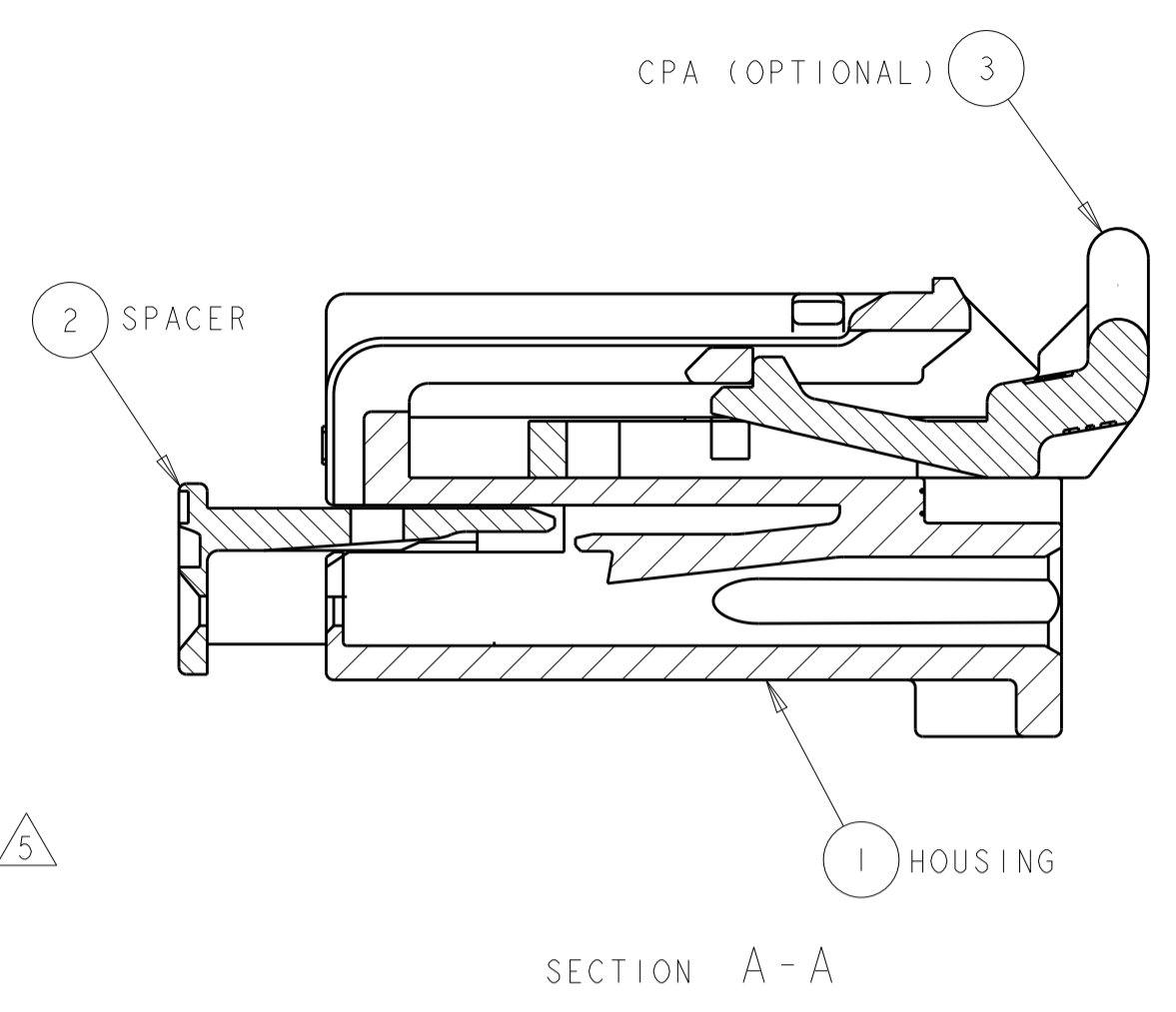
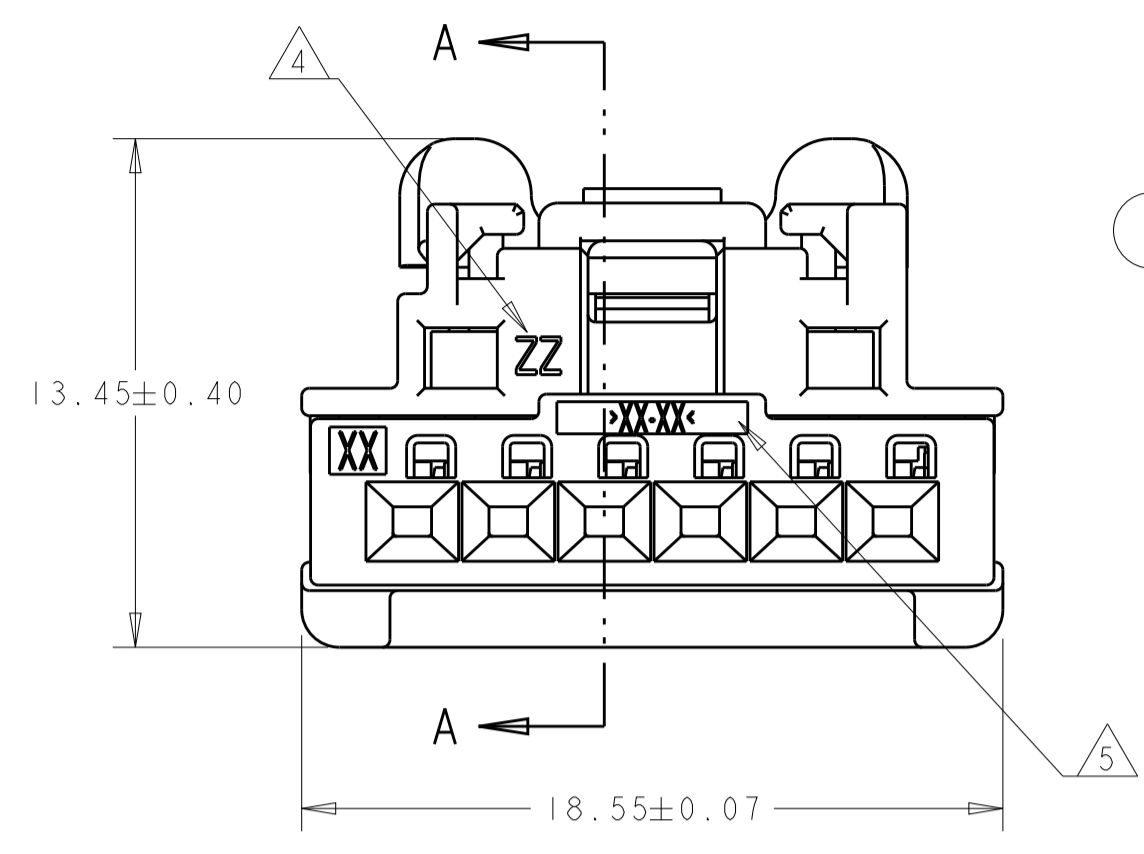
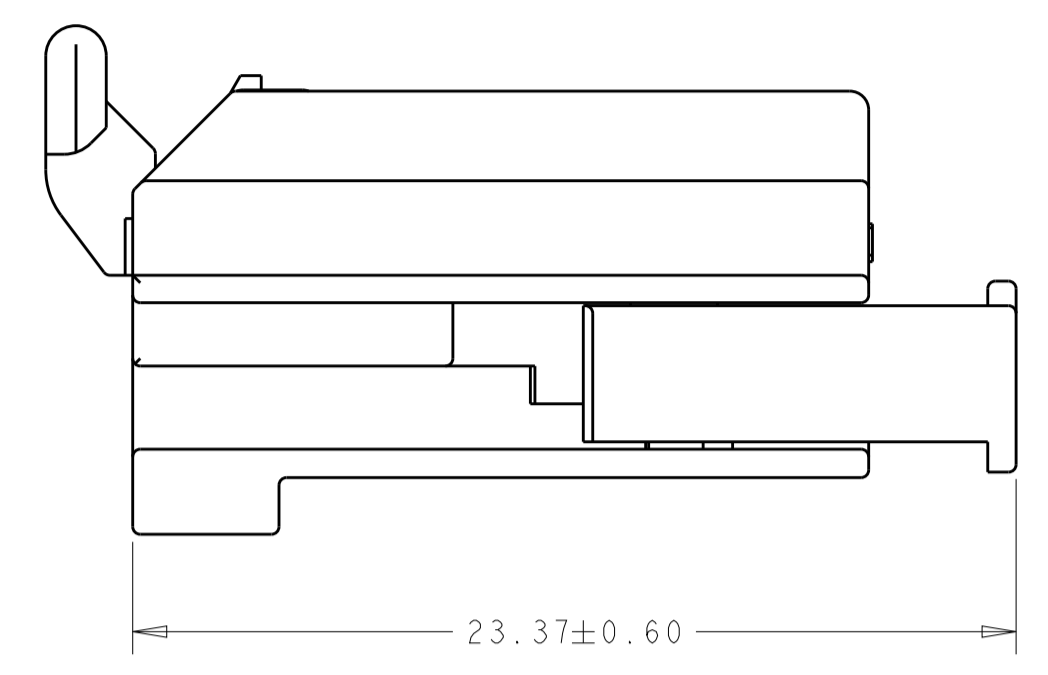


SCALE 2:1

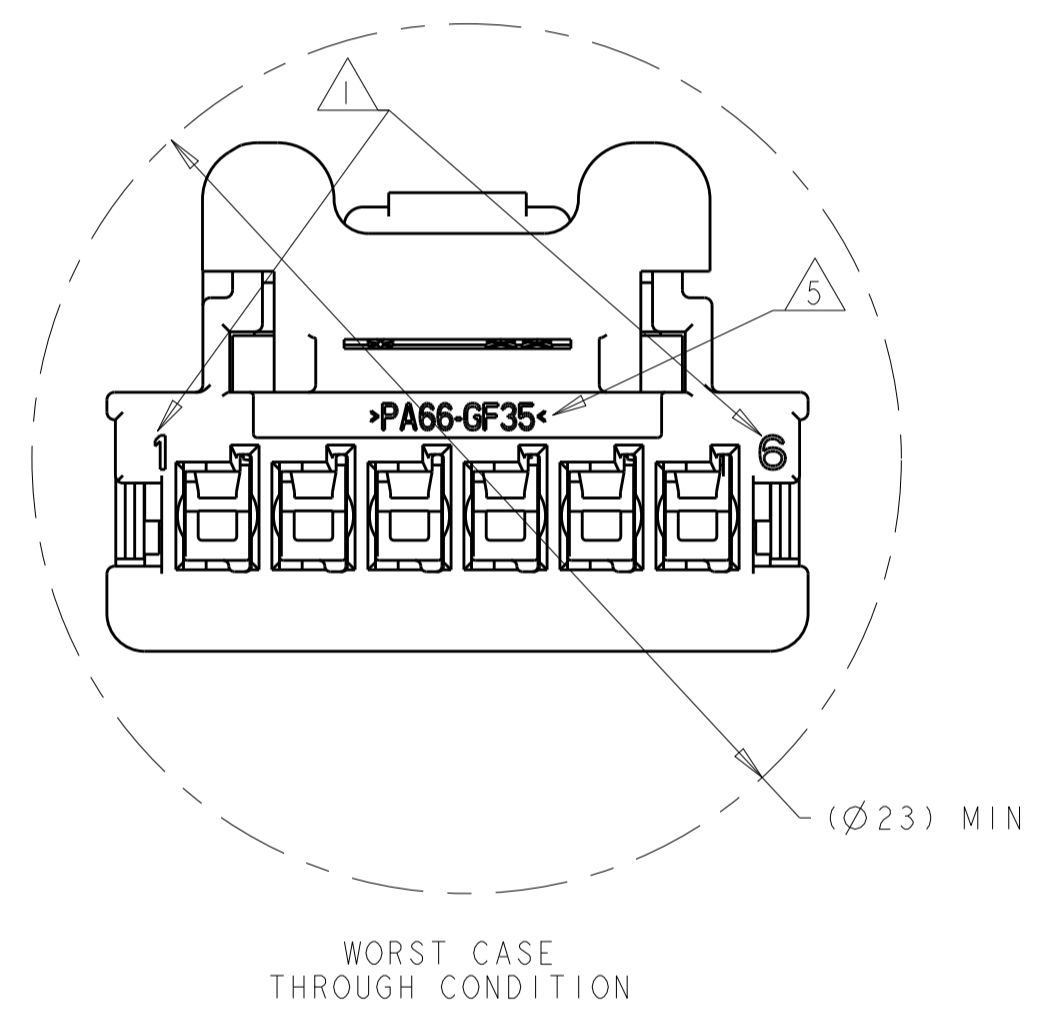
KEYING OPTION: F



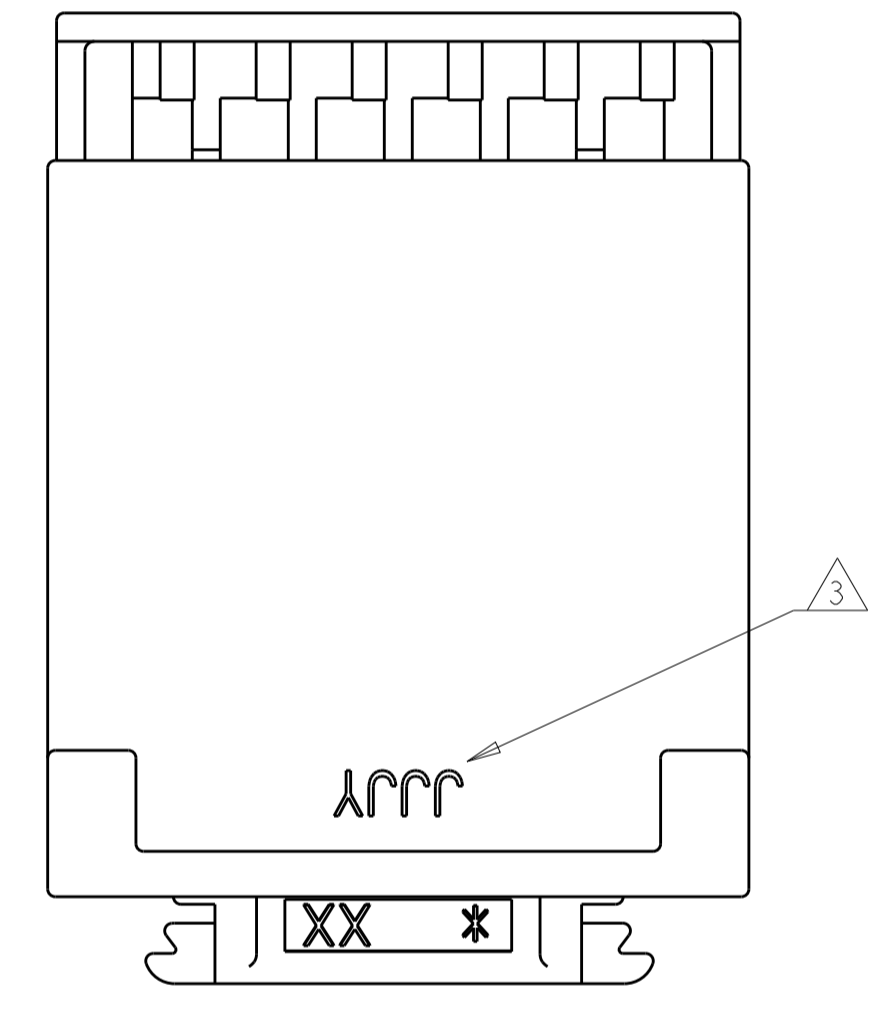
SCALE 2:1



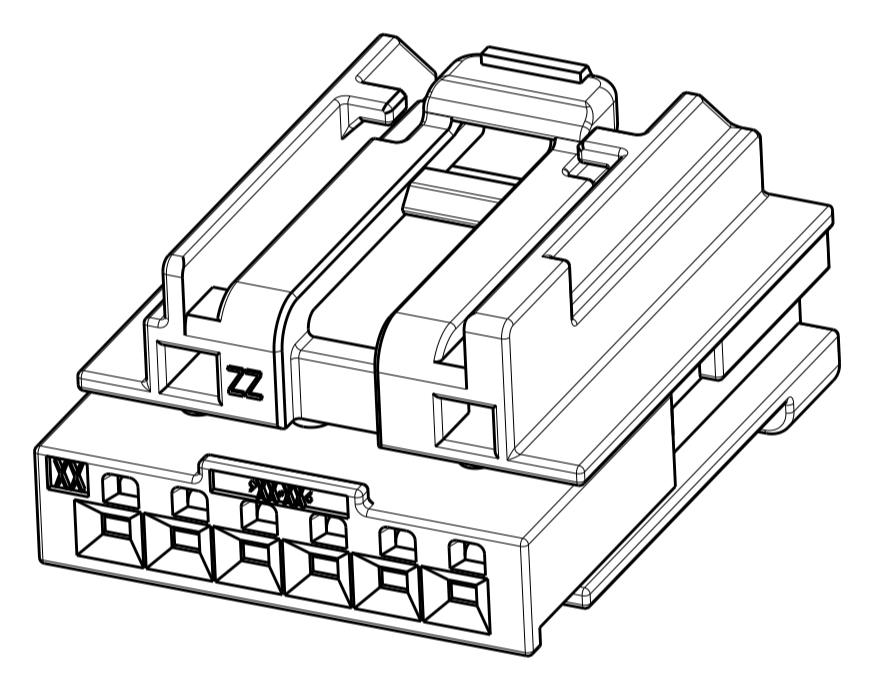
SECTION A-A



WORST CASE THROUGH CONDITION



- △ CIRCUIT IDENTIFICATION NUMBERS LOCATED AS SHOWN.
- 2. SPACER AND CPA (OPTIONAL) ARE SHIPPED IN PRE-ASSEMBLED POSITION.
- △ DATE CODE; FORMAT: JJJ = JULIAN DAY; Y = YEAR (4TH DIGIT).
- △ MOLD CAVITY IDENTIFICATION.
- △ MATERIAL IDENTIFICATION.
- △ KEYING OPTION B NOT PREFERRED FOR NEW APPLICATIONS.
- 7. PACKAGING: CONNECTOR ASSEMBLIES BULK PACKED IN CARDBOARD BOXES.
- 8. REFERENCE TE INSTRUCTION SHEET 408-32052.



SCALE 4:1

----- ASSEMBLY PART REVISION									
----- ASSEMBLY PN									
QTY REQ'D PER ASSY	REVISION OF EACH ASSY NO (WHEN BLANK, USE DWG REVISION)	DESCRIPTION	MATERIAL	COLOR	ITEM NO				
1		CPA	>PBT-GF15< >PBT-GF20<	RED	3				
1		SPACER	>PBT+PC-GF30< >PBT-GF30<	RED	2				
1		HOUSING; KEY F	>PA66-GF35<	BLACK	1				
-		HOUSING; KEY E	>PA66-GF35<	BLACK	1				
-		HOUSING; KEY D	>PA66-GF35<	BLACK	1				
-		HOUSING; KEY C	>PA66-GF35<	BLACK	1				
-		HOUSING; KEY B	>PA66-GF35<	BLACK	1				
						WEIGHT OF EACH ASSY NO (g)			
PARTS LIST									

THIS DRAWING IS A CONTROLLED DOCUMENT.

DIMENSIONS: mm
 TOLERANCES UNLESS OTHERWISE SPECIFIED:
 0 PLC ±
 1 PLC ±
 2 PLC ±
 3 PLC ±
 4 PLC ±
 ANGLES ±
 MATERIAL FINISH

DWN: D. DRUMMOND 20APR2012
 CHK: C. MARTIN 20APR2012
 APVD: C. MARTIN 20APR2012

TE Connectivity
 NAME: FEMALE ASSEMBLY, 6 POSITION (1X6), UNSEALED, GENERATION Y
 SIZE: A100779 C=2035363
 SCALE: 5:1 SHEET 1 OF 1 REV: B4

X-ON Electronics

Largest Supplier of Electrical and Electronic Components

Click to view similar products for [Automotive Connectors](#) category:

Click to view products by [TE Connectivity](#) manufacturer:

Other Similar products are found below :

[003-018-000](#) [60403001](#) [60993906-B](#) [M902-2131](#) [M902-2161](#) [M902-2344](#) [72.330.1035.1](#) [73.353.4028.0](#) [F119300-B](#) [F166900](#) [F258300-B](#)
[F358300-B](#) [F407400](#) [F444110](#) [F487000](#) [F509500B-B](#) [827153-1](#) [8N1515-32-24P](#) [9-1326729-8](#) [925474-1](#) [928905-1](#) [964562-4](#) [968782-1](#)
[GT17SA-8DS-HU](#) [98891-1012](#) [98947-1016](#) [12004147](#) [12004475-L](#) [12010290](#) [12010309-B](#) [12015454](#) [12020219-B](#) [12041318-B](#) [12052225-](#)
[L](#) [12052466](#) [12064869](#) [12004327-B](#) [12015308](#) [12015384](#) [12015909](#) [1-21030-1](#) [12041254](#) [12041318](#) [12047946-B](#) [12047957](#) [12047957-L](#)
[12059473](#) [12066261](#) [12110546](#) [12110546-B](#)