

THIS DRAWING IS UNPUBLISHED. RELEASED FOR PUBLICATION N/A, N/A
 © COPYRIGHT N/A BY TYCO ELECTRONICS CORPORATION. ALL RIGHTS RESERVED.

LOC		DIST		REVISIONS			
P	LTR	DESCRIPTION	DATE	DWN	APVD		
DF	XO						
	O	RELEASED	9-02	JMK	JL		

COMPONENT	MATERIAL	FINISH
HOUSING CAP COUPLING NUT	STAINLESS STEEL PER ASTM-A-484 OR ASTM-A-582 TYPE 303	PASSIVATED PER ASTM-A-380
DIELECTRIC	PTFE FLUORCARBON PER ASTM-D-1457	-
CENTER CONTACT	BRASS PER ASTM-B-16 HALF HARD	GOLD PLATED PER ASTM-B-488
GASKET	SILICONE RUBBER PER ZZ-R-765	-
FERRULE	COPPER OR BRASS ALLOY, ROCKWELL F65 MAX	GOLD PLATED PER ASTM-B-488
RETAINING RING	BERYLLIUM COPPER PER ASTM-B-194 ALLOY C17200, CONDITION H	-

ENVIRONMENTAL

TEMPERATURE RATING: -65°C TO +165°C

VIBRATION: MIL-STD-202, METHOD 204, CONDITION D

SHOCK: MIL-STD-202, METHOD 213, CONDITION 1

MOISTURE RESISTANCE: MIL-STD-202, METHOD 106

CORROSION: MIL-STD-202, METHOD 101, CONDITION B. 5% SALT SPRAY

THERMAL SHOCK: MIL-STD-202, METHOD 107, CONDITION B EXCEPT HIGH TEMP 85°C

MECHANICAL

INTERFACE DIMENSIONS: MIL-STD-348A FIG. 310.1

RECOMMENDED MATING TORQUE: 7-10 IN-LBS

FORCE TO ENGAGE & DISENGAGE (IN-LBS MAX): 2.0

WEIGHT (GRAMS): TBD

MATING CHARACTERISTICS: INSERTION (MAX LBS) N/A
WITHDRAWAL (MIN OZ): N/A

CABLE RETENTION: AXIAL FORCE (LBS) 20 MIN
TORQUE (IN-OZ): N/A

CENTER CONTACT CAPTIVATION: AXIAL (LBS): 6.0
RADIAL (IN-OZ): N/A

ELECTRICAL

NORMAL IMPEDANCE (OHMS): 50

FREQUENCY RANGE (GHz): DC TO 12.4

VOLT RATING @ SEA LEVEL (VRMS MAX): 250

VSWR: 1.15+0.03f(GHz)

INSERTION LOSS: (dB MAX): .06 $\sqrt{f(\text{GHz})}$

RF LEAKAGE (dB MIN): -60 @ 2-3 GHz

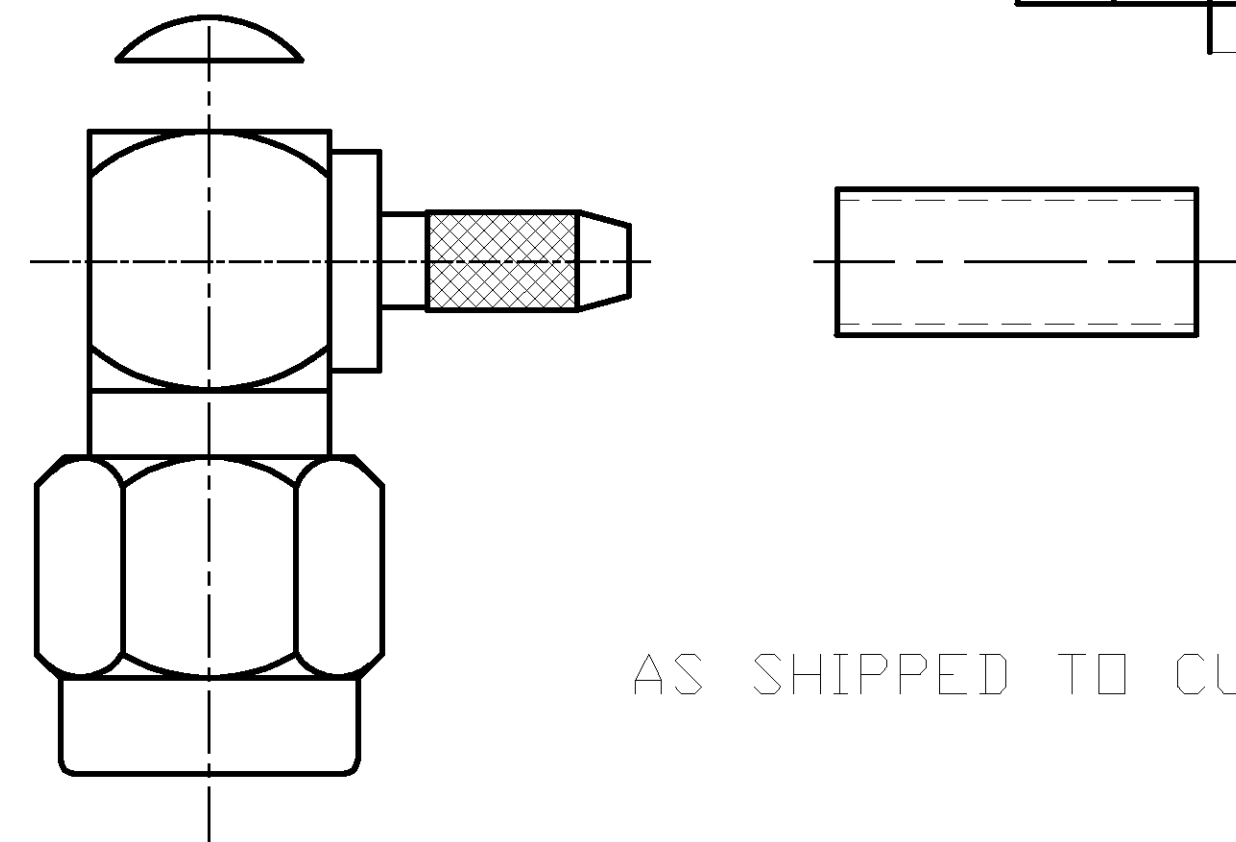
CORONA 70,000 FT (VRMS MIN): 190

DIELECTRIC WITHSTANDING VOLTAGE (VRMS MIN) AT SEA LEVEL: 750

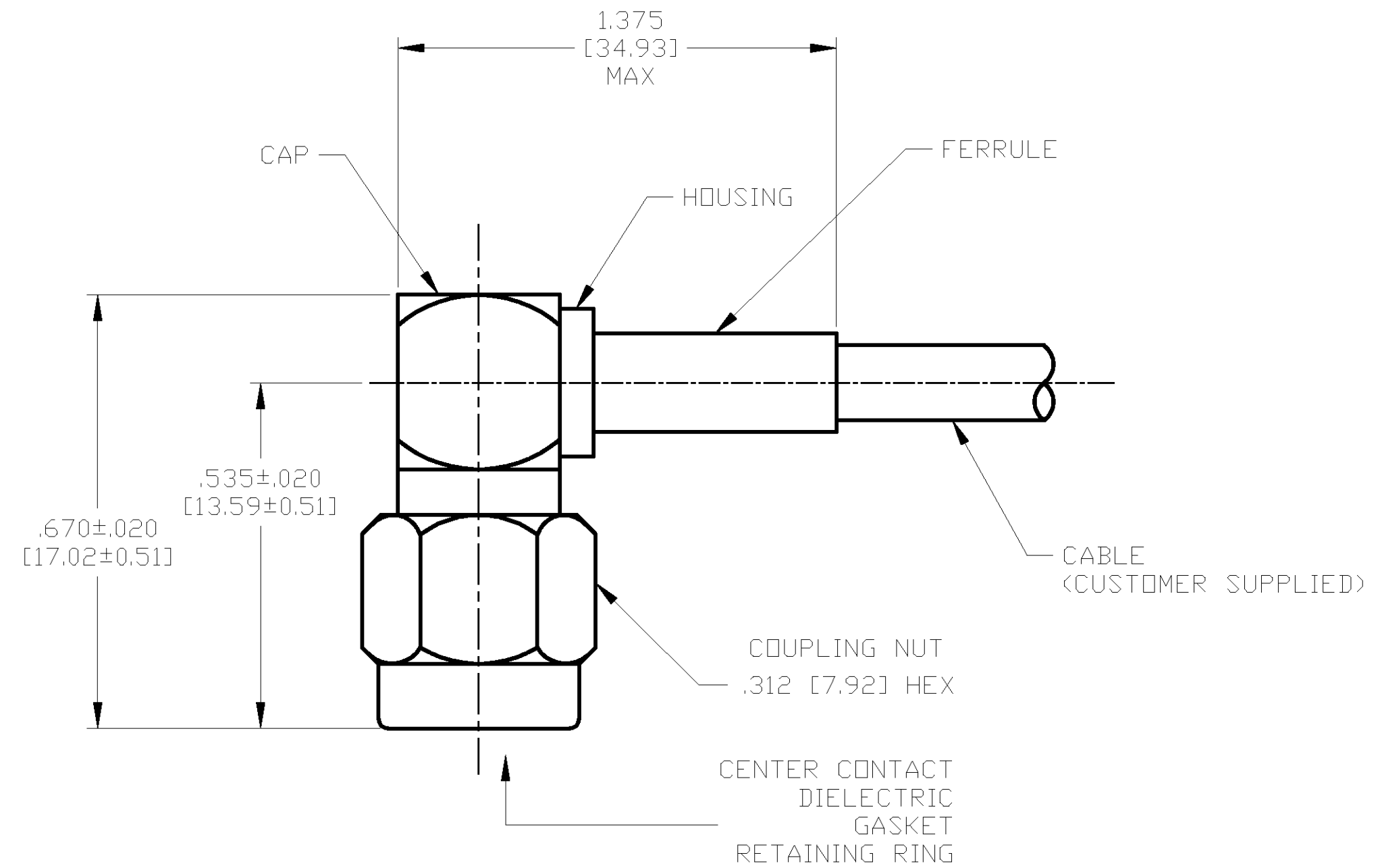
I.R. (MEGOHMS MIN): 5,000

RF HIGH POTENTIAL AT SEA LEVEL (VRMS MIN @ 5 MHz): 500

CONTACT RESISTANCE (MILLIOHMS MAX):
 CENTER CONTACT: 4.0
 OUTER CONTACT: 2.0
 CABLE TO HOUSING: 0.5



AS SHIPPED TO CUSTOMER



ASSEMBLED VIEW

DESIGNED TO USE
RG-174/U OR EQUIVALENT
CABLE ENTRY
DIAMETER MIN

HOUSING: .063 [1.60]

CONTACT SLOT: .041 [1.04]

FERRULE: .125 [3.18]

THIS DRAWING IS A CONTROLLED DOCUMENT.

DIMENSIONS:
INCHES [mm]

TOLERANCES UNLESS OTHERWISE SPECIFIED:
 0 PLC ± -
 1 PLC ± -
 2 PLC ± -
 3 PLC ± .005 [0.13]
 4 PLC ± -
 ANGLES ± -

MATERIAL: SEE TABLE
FINISH: SEE TABLE

DWN J. KAISER 9/24/02	tyco Electronics	Tyco Electronics Corporation Harrisburg, PA 17105	
CHK J. LIPPERT 10-18-02		NAME SMA RIGHT ANGLE CABLE PLUG-CRIMP ATTACHMENT (M39012/56-3126) CAT C	
APVD J. LIPPERT 10-18-02	PRODUCT SPEC	SIZE A2	CAGE CODE 00779
APPLICATION SPEC 408-4846	WEIGHT TBD	DRAWING NO 1052203	RESTRICTED TO -
CUSTOMER DRAWING	SCALE 5:1	SHEET 1 OF 1	REV 0

1052203-1
PART NO.

X-ON Electronics

Largest Supplier of Electrical and Electronic Components

Click to view similar products for [RF Connectors](#) / [Coaxial Connectors](#) category:

Click to view products by [TE Connectivity](#) manufacturer:

Other Similar products are found below :

[R125315120](#) [8915-1511-000](#) [89674-0827](#) [5916-1103-603](#) [6-0001-3](#) [6001-7071-019](#) [6002-7051-003](#) [6002-7551-202](#) [6059674-1](#) [619550-1](#)
[630059-000](#) [M39012/25-0021](#) [M39012/79-3008](#) [M39030/3-01N](#) [M39030/3-03N](#) [M3933/25-36N](#) [6500-7071-046](#) [M83723/72W24576](#)
[M83723/72W2457N](#) [6769](#) [CX050L2AQ](#) [7002-1541-010](#) [7002-1572-002](#) [7003-1572-002](#) [7010-1511-000](#) [7029-1511-060](#) [7101-1541-010](#)
[7101-1571-002](#) [7105-1521-002](#) [7145-1521-002](#) [7209-1511-011](#) [7210-1511-015](#) [7210-1511-019](#) [7225-1512-050](#) [7242-1511-000](#) [73137-5015](#)
[73251-0111](#) [73251-0672](#) [7325-1512-000](#) [73276-1501](#) [73366-0013](#) [73404-2300](#) [73413-6080](#) [73415-5721](#) [7405-1521-005](#) [7405-1521-802](#)
[7406-1521-005](#) [804S01D04M040](#) [8145-1521-002](#) [81590](#)