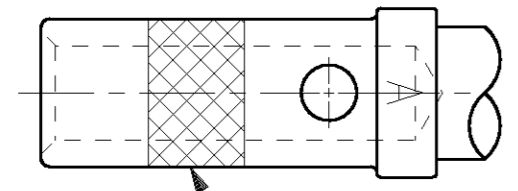
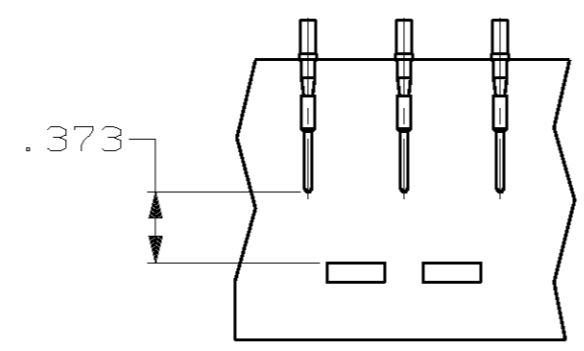


THIS DRAWING IS UNPUBLISHED. RELEASED FOR PUBLICATION .19  
 © COPYRIGHT 19 BY AMP INCORPORATED. ALL RIGHTS RESERVED.

LOC	DIST	REVISIONS					
DF	AO	P	LTR	DESCRIPTION	DATE	DWN	APVD
		J		REV & REDRAWN; 0600-8098-98	7-99	CT	BG

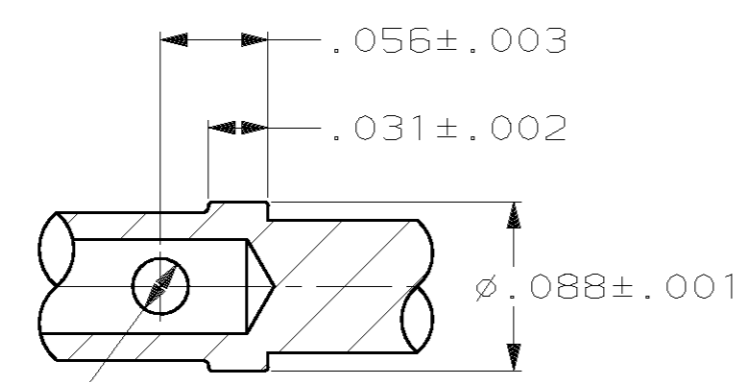
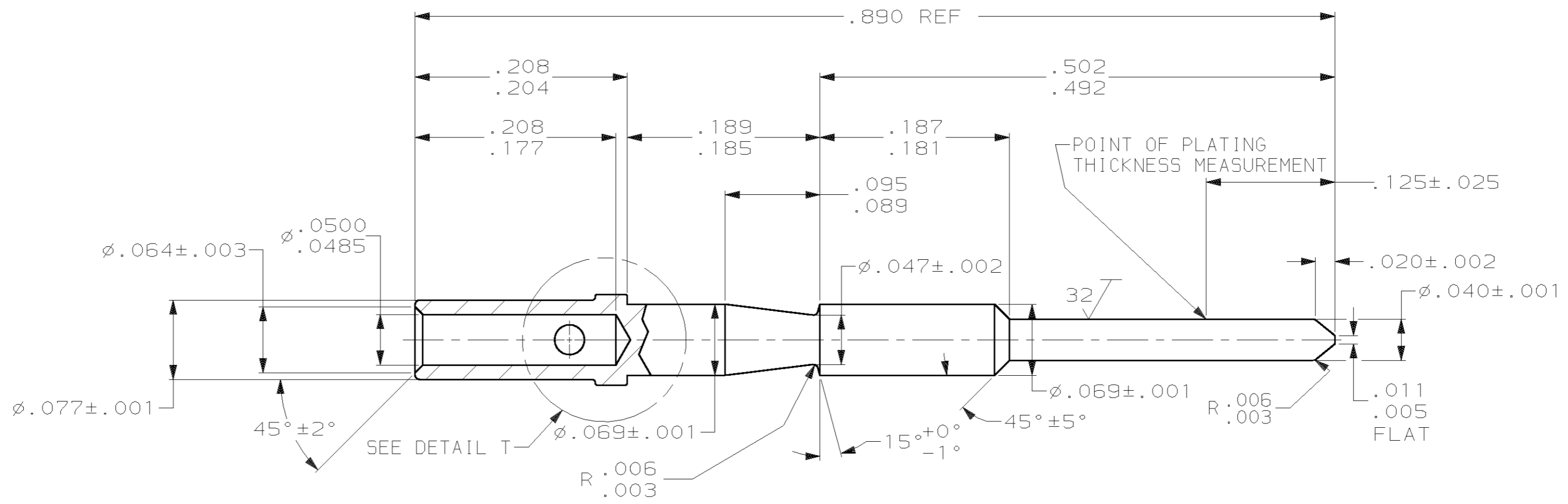


COLOR CODE GREEN



.373

TAPE MOUNTED ASS'Y  
 SCALE 1:1  
 203840-3 ONLY



DETAIL T

OBSELETE	TAPE MOUNTED	203840-3
	AS SHOWN	203840-2
REMARKS	PART NUMBER	

THIS DRAWING IS A CONTROLLED DOCUMENT.		DWN C.C. THOMAS 7-26-99	AMP Incorporated Harrisburg, PA 17105-3608	
DIMENSIONS: INCHES		CHK B. GROSS 7-27-99	NAME CONTACT, PIN, SIZE 20, ARINC 404	
TOLERANCES UNLESS OTHERWISE SPECIFIED:		APVD B. GROSS 7-27-99	SIZE A2	
0 PLC $\pm$		WIRE RANGE 20-24	CAGE CODE 00779	
1 PLC $\pm$		APPLICATION SPEC -	DRAWING NO C-203840	
2 PLC $\pm$		WEIGHT -	RESTRICTED TO -	
3 PLC $\pm .005$		CUSTOMER DRAWING	SCALE 10:1	
4 PLC $\pm$			SHEET 1 OF 1	
ANGLES $\pm$			REV J	
MATERIAL COPPER PER ASTM-B-301	FINISH .000050 MIN GOLD PER MIL-G-45204 OVER COPPER			

## X-ON Electronics

Largest Supplier of Electrical and Electronic Components

*Click to view similar products for [TE Connectivity](#) manufacturer:*

Other Similar products are found below :

[D38999/24FJ4AN](#) [570416-000](#) [CLTEQ-M81CE-SSRELAY-4-20V](#) [4-1195131-0](#) [650069-000](#) [SMD100-2](#) [358838-000](#) [CB-1022B-78](#)  
[RM707012](#) [RP410012](#) [MMS42](#) [1-640426-8](#) [2EDL4CM](#) [DTS20W19-11PD-3028-LC](#) [RM202615](#) [NC6-P104-06](#) [MSPS103B](#) [DTS26F21-](#)  
[41HE-LC](#) [DTS26F21-41AE](#) [DTS26F21-41PE-LC](#) [DTS26F21-11SE-3028-LC](#) [30DCB6](#) [1932144-1](#) [293545-4](#) [LVR125S](#) [MS27466T25F4PB](#)  
[CKB-38-78010](#) [TR04AI-TINELLOCKRING](#) [1206SFF150F/63-2](#) [D38999/20JB35HA](#) [TE1500A2R2J](#) [D38999/20WC8BB](#) [DTS24F19-11SC-](#)  
[3028-LC](#) [D38999/24WG11HA](#) [D38999/24WG11HN](#) [MS27467T21F11H](#) [DJT16E21-11HA](#) [MS27467T21F35J](#) [MS27467T21F11J](#)  
[MS27467T21F16H-LC](#) [MS27467T21F35H](#) [MS27467T21F41H-LC](#) [1206SFH150F/24-2](#) [RP330024](#) [DJT16E21-11PA-LC](#) [DJT16E21-11HA-](#)  
[LC](#) [DJT16E21-11AA](#) [MS27467T21B11JA](#) [DJT16E21-11JA](#) [MS27467T21B11JA-LC](#)