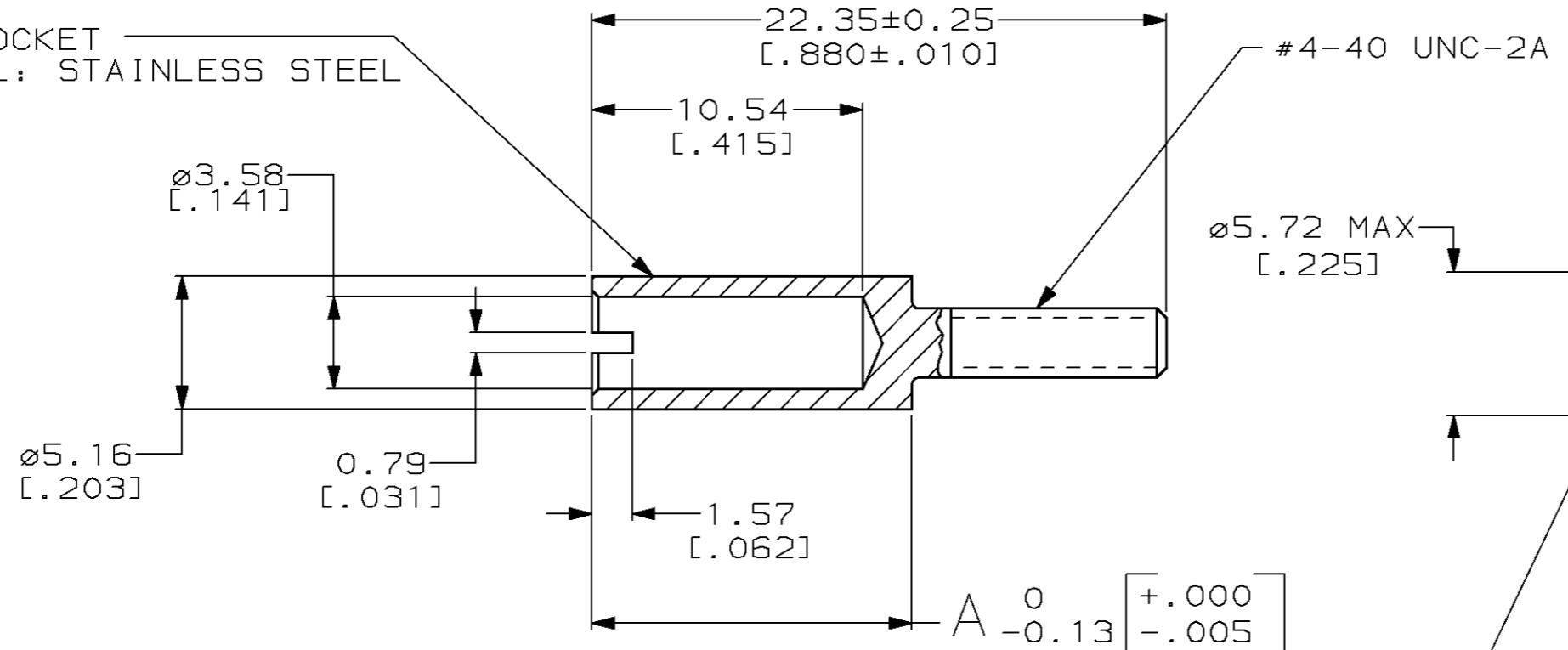


THIS DRAWING IS UNPUBLISHED. RELEASED FOR PUBLICATION, 19 .
 © COPYRIGHT 19 BY AMP INCORPORATED. ALL RIGHTS RESERVED.

LOC	DIST	REVISIONS			
P	LTR	DESCRIPTION	DATE	DWN	APVD
BD	36	M	REDRAWN ON CAD W/O CHANGE PER EC 0020-1343-95	15 FEB 96	BC GS

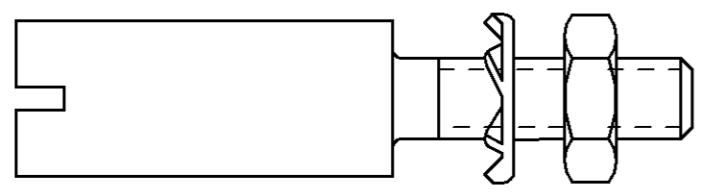
GUIDE SOCKET
 MATERIAL: STAINLESS STEEL



LOCKWASHER
 MATERIAL: STAINLESS STEEL
 FINISH: PASSIVATED

NUT #4-40 UNC-2B
 x 4.75 [0.187] ACROSS FLATS
 MATERIAL: CARBON STEEL
 FINISH: ZINC PLATED

11.94 [0.470]	203964-5
12.45 [0.490]	203964-1
A	PART NUMBER



THIS DRAWING IS A CONTROLLED DOCUMENT FOR AMP INCORPORATED.
 IT IS SUBJECT TO CHANGE AND THE CONTROLLING ENGINEERING
 ORGANIZATION SHOULD BE CONTACTED FOR THE LATEST REVISION.

DIMENSIONS:	TOLERANCES UNLESS OTHERWISE SPECIFIED:
mm [INCHES]	
0 PLC	±-
1 PLC	±-
2 PLC	±0.38 [0.015]
3 PLC	±-
4 PLC	±-
ANGLES	±-
MATERIAL	FINISH
SEE CALLOUTS	SEE CALLOUTS

DWN	B. CARBO	15 FEB 96
CHK	R. STONE	20 FEB 96
APVD	G. STEINHAEUER	17 APR 96
PRODUCT SPEC	-	-
APPLICATION SPEC	-	-
WEIGHT	-	-
CUSTOMER DRAWING		

AMP AMP Incorporated Harrisburg, PA 17105-3608		
NAME GUIDE SOCKET KIT, CORNER, UNASSEMBLED, MINIATURE RECTANGULAR M SERIES		
SIZE	CAGE CODE	DRAWING NO
A3	00779	C-203964
SCALE	SHEET	REV
4:1	1 OF 1	M

X-ON Electronics

Largest Supplier of Electrical and Electronic Components

Click to view similar products for [Rack & Panel Connectors](#) category:

Click to view products by [TE Connectivity](#) manufacturer:

Other Similar products are found below :

[00171410002](#) [00171420202](#) [00171440002](#) [02-014-013-5200-000](#) [613467-000](#) [CTJ112E01E-513](#) [CTJ116E03A-513](#) [66020-2](#) [CW8958-000](#)
[699886-000](#) [D250-50632](#) [70.400.3240.0](#) [70.955.2453.3](#) [733753-000](#) [F22831-000](#) [780-522-DPX34RG8-02](#) [8660-501](#) [87.060.0053.0](#)
[900709N001](#) [928358-1](#) [D-659-0061](#) [1-445717-6](#) [1484469-2](#) [1604997-2](#) [MTC100-BF1-P31CS015](#) [MTC100-KT2-0083](#) [MTC100-KT2-0123-](#)
[003](#) [MTC100-YA1-005](#) [MTCQKT1R2PGCA](#) [MTCR-103-04S](#) [MTCX1X-100-100CS025](#) [1738331-1](#) [1757667-1](#) [1811481-1](#) [1883433-1](#)
[201046-7](#) [202648-4](#) [213364-1](#) [226503-000](#) [937028-164](#) [1663130-2](#) [172305-4](#) [AC-660022-701BP](#) [F36711-000](#) [202355-2](#) [202356-2](#) [G16S-A](#)
[G20S-AB](#) [CHA-0017-003](#) [CHA-0296](#)