

# Thermofit® Molded Parts

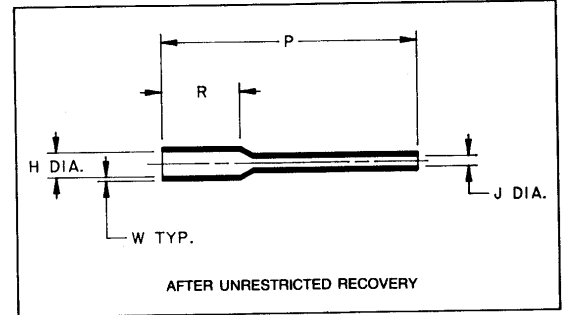
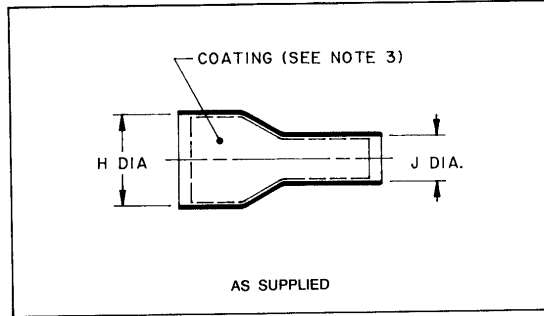
## Specification Control Drawing

**Part Number:** 203A021

**Description:** Boot, Coax Strain Relief

**Notes:**

- All dimensions are in  $\frac{\text{Inches}}{\text{[Millimeters]}}$ ;  $\frac{\text{lbs}}{\text{[gms]}}$
- Dimensions appearing in table are as follows:  
a - as supplied  
b - after unrestricted recovery
- Coating is optional. As supplied dimensions appearing in table are for uncoated parts. When coating is added, entry diameters will be reduced by .06 max.
- Weight shown in table of dimensions is based on polyolefin part.



**Table of Dimensions**

| Part Number | H             |              | J                      |                          |              | P              | R             | W             | Weight         |
|-------------|---------------|--------------|------------------------|--------------------------|--------------|----------------|---------------|---------------|----------------|
|             | Min           | Max          | Min<br>-3, -4<br>& -25 | Min<br>-5, -12<br>& -100 | Max          | ±10%           | ±10%          | ±20%          | ±10%           |
|             | a             | b            | a                      | a                        | b            | b              | b             | b             | b              |
| 203A021     | .80<br>[20,3] | .32<br>[8,1] | .40<br>[10,2]          | .26<br>[6,6]             | .13<br>[3,3] | 2.40<br>[61,0] | .75<br>[19,1] | .04<br>[1,02] | .003<br>[1,36] |

**Raychem**

Raychem Corporation  
300 Constitution Drive  
Menlo Park, California 94025  
415) 361 6055

Revision: G  
Date: 1-21-88

**Part Number:** 203A021  
**Description:** Boot, Coax Strain Relief

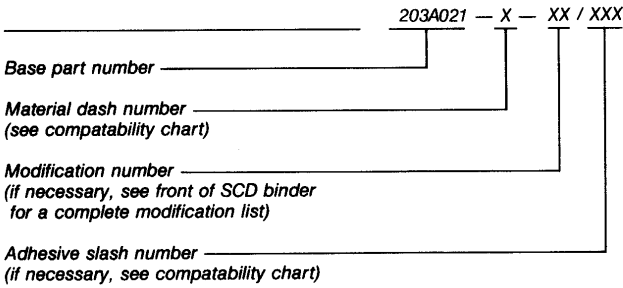
# Thermofit® Molded Parts Specification Control Drawing

**Part Number:** 203A021  
**Description:** Boot, Coax Strain Relief

| Compatability Chart |  |         |                   |                |                     |
|---------------------|--|---------|-------------------|----------------|---------------------|
| Material Dash No.   | Material Description                   | RT Spec | Coating Slash No. | Coating S. No. | Coating Description |
| -3                  | Polyolefin, Semi-Rigid                 | RT-301  | /42               | S-1017         | Adhesive            |
| -4                  | Polyolefin, Flexible                   | RT-1304 | /42               | S-1017         | Adhesive            |
| -5                  | Elastomer, Flexible                    | RT-501  | /42               | S-1017         | Adhesive            |
| -12                 | *VITON, Flexible                       | RT-1312 |                   |                |                     |
| -25                 | Elastomer, Semi-Rigid                  | RT-1325 | /86               | S-1048         | Adhesive            |
| -100                | Polyolefin, Semi-Flexible,<br>ZEROHAL™ | RT-1323 |                   |                |                     |

\*VITON is a Registered Trademark of Dupont

### Ordering Information:



This drawing is subject to change without notice; consult your nearest field representative for current revision.

**Raychem**  
Raychem Corporation  
300 Constitution Drive  
Menlo Park, California 94025  
415) 381 8055

Revision: **G**  
Date: **1-21-88**

**Part Number:** 203A021  
**Description:** Boot, Coax Strain Relief

## X-ON Electronics

Largest Supplier of Electrical and Electronic Components

*Click to view similar products for [Heat Shrink Cable Boots & End Caps](#) category:*

*Click to view products by [TE Connectivity](#) manufacturer:*

Other Similar products are found below :

[577159N001](#) [645494-000](#) [CX4132-000](#) [687025-000](#) [705331-000](#) [718446-000](#) [725666N001](#) [729257-000](#) [F27131-000](#) [F85868-000](#) [770-003S106W2](#) [770-013210W1](#) [770-013311](#) [770-013312](#) [806542N001](#) [807507-000](#) [808362-000](#) [808618-000](#) [809125-000](#) [809130-000](#) [809218-000](#) [812014-000](#) [812047-000](#) [813166-000](#) [813767N002](#) [814741-000](#) [819117N001](#) [823026-000](#) [823070-000](#) [825002-000](#) [841189N001](#) [861471-000](#) [866647-000](#) [879515-000](#) [937577-000](#) [957073-000](#) [982033-2](#) [A77813-000](#) [R280576000](#) [D96192-000](#) [163549-000](#) [EN3BOOTLKIT](#) [MTPSRBCL-C](#) [1954015-1](#) [200W531-3-0](#) [202A163-4-0-CS5067](#) [202A343-3-00-0](#) [202B221-13-0](#) [202B231-13-0](#) [202B563-25-07-0](#)