



## CODE 54 - BRAID TAIL BACKSHELL

**203M016-19B08-L**

SERIES \_\_\_\_\_  
 ORDER NUMBER (TABLE 1) \_\_\_\_\_  
 MATERIAL \_\_\_\_\_  
 REFER TO CH00-0250-004  
 FINISH \_\_\_\_\_  
 REFER TO CH00-0250-004  
 ENTRY SIZE (TABLE 2) \_\_\_\_\_  
 MODIFICATION CODE \_\_\_\_\_  
 REFER TO CH00-0250-004 (2)

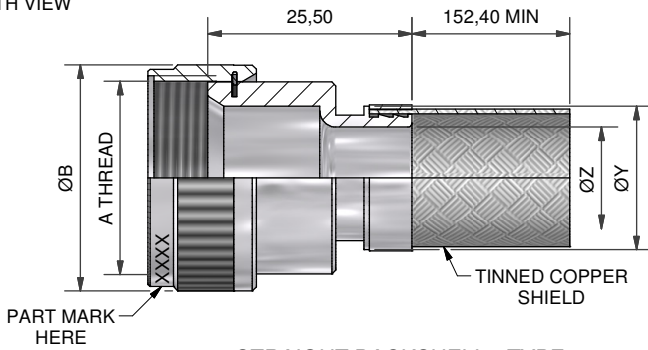
### NOTES:

1. THIS PRODUCT IS DESIGNED TO TERMINATE A HEAT SHRINKABLE LIPPED BOOT TO A CONNECTOR.
- (2) FOR ADDITIONAL DIMENSIONS, ORDERING INFORMATION AND MODIFICATIONS, SEE CH00-0250-004
3. BACKSHELL TO BE PERMANENTLY MARKED/BAGGED AND LABELLED WITH CODE IDENTIFICATION NUMBER AND PART NUMBER. (e.g. 06090-203M016-19B08).
- (4) WHEN ENTRY SIZE EXCEEDS "MAX ENTRY", A 2 PIECE BACKSHELL (TYPE 2) IS SUPPLIED.
5. BRAID TERMINATION RING MAY BE SUPPLIED AS TINEL-LOCK SHAPE MEMORY RING AT MANUFACTURERS OPTION.
- (6) BACKSHELL MATES TO MIL-C-81703, SERIES III, MS3424, MS3446, MS3464, MS3467, MS3468, CLASS E & L
- (7) BACKSHELL MATES TO MIL-C-5015G, MS3400 SERIES, CLASS D, E, K, L, U & W, MS3400, MS3401, MS3404, MS3406, MS3450, MS3451, MS3454, MS3456, MS3470, MS3471, MS3472, MS3474, MS3475, MS3476. MIL-C-83723, SERIES II, CLASS A & L. MIL-C-83723, SERIES I & III, CLASS A, G, K, R & S: M83723/1, /2, /3, /4, /5, /6, /7, /8, /13, /14, /36, /37, /38, /40, /41, /42, /43, /48, /49, /65, /66, /67, /68, /69, /70, /71, /72, /73, /74, /75, /76, /77, /78, /82, /83, /84, /85, /86, /87, /91, /92, /95, /97, /98, (MS3155 CONTROLLED INTERFACE).
8. WHEN "L" MODIFICATION IS SPECIFIED, COUPLING NUT SHALL HAVE 3 WIRE HOLES, 120° APART.

<b>DRAWN</b>	K.WINCZURA	DATE 19/01/2015	 3RD ANGLE PROJECTION NOT TO SCALE	<b>TITLE:</b>	 <b>Polamco</b>  connectivity
<b>CHECKED</b>		19/01/2015		<b>BRAID TAIL BACKSHELL (CODE 54)</b>	
<b>APPROVED</b>	K.SHEPPARD	29/01/2015	UNLESS OTHERWISE SPECIFIED ALL DIMENSIONS IN MILLIMETRES <b>GENERAL TOL</b> LINEAR +/-0.25MM ANGULAR +/- 1°	<b>ASSY USED ON:</b>	
<b>APPROVED</b>	H.SMITH	01/10/2015		MIL-DTL-26482 SERIES II / MIL-DTL-83723 SERIES I & III	
<b>REVISIONS</b>					
<b>LTR</b>	<b>DESCRIPTION</b>	<b>DATE</b>	<b>APPROVED</b>		
R	REVISED PER ECO-15-002225	19/02/2015	H.SMITH		
S	REVISED PER ECO-15-013980	01/10/2015	H.SMITH		
TE CAGE CODE: 06090 POLAMCO/TE CAGE CODE: U5792				TE CONNECTIVITY - POLAMCO LTD RESERVES THE RIGHT TO AMEND THIS DRAWING AND THE INFORMATION SET FORTH HEREON AT ANY TIME. USERS SHOULD INDEPENDENTLY EVALUATE THE SUITABILITY OF THE PRODUCT FOR THEIR APPLICATION.	DRAWING NO: <b>203M0XX</b>
				DRAWING REV: <b>S</b>	SHT <b>1</b>



STAINLESS  
STEEL  
TEETH VIEW



STRAIGHT BACKSHELL - TYPE 1

IF MAX ENTRY IS EXCEEDED BACKSHELL  
WILL BE SUPPLIED AS TYPE 2



STRAIGHT BACKSHELL - TYPE 2

TABLE 1

ORDER NUMBER	SHELL SIZE		A THREAD	ØB MAX	MAX ENTRY
	⑥	⑦			
03	3		9/16-24 UNEF	17,0	04
08		8 & 8S	1/2-20 UNF	15,6	04
10	10	10, 10S, 10SL	5/8-24 UNEF	18,6	06
12	7	12 & 12S	3/4-20 UNEF	21,7	08
14	12	14 & 14S	7/8-20 UNEF	24,9	09
16	19	16 & 16S	1-20 UNEF	28,2	11
18	27	18	1 1/16-18 UNEF	30,9	12
20	37	20	1 3/16-18 UNEF	34,1	14
22		22	1 5/16-18 UNEF	37,3	16
24		24	1 7/16-18 UNEF	40,4	18
28		28	1 3/4-18UNS	50,0	22
32		32	2-18 UNS	56,3	24
36		36	2 1/4-16 UN	62,7	28
40		40	2 1/2-16 UN	69,0	28
44		44	2 3/4-16 UN	75,4	28
48		48	3-16UN	81,7	28
61	61		1 1/2-18 UNEF	42,0	18

TABLE 2

ENTRY SIZE	ØK MAX	ØZ REF	ØY REF
03	NA	4,77	13,1
04	NA	6,35	13,1
05	21,0	7,92	13,1
06	21,0	9,52	17,9
07	21,0	11,12	17,9
08	24,5	12,70	17,9
09	24,5	14,27	17,9
10	29,0	15,87	24,2
11	29,0	17,47	24,2
12	32,5	19,05	24,2
13	35,5	20,62	24,2
14	35,5	22,23	30,6
15	37,0	23,82	30,6
16	37,0	25,40	30,6
17	40,0	26,98	33,2
18	40,0	28,60	33,2
20	43,5	31,80	42,0
21	48,5	33,34	42,0
22	48,5	35,00	42,0
24	52,1	38,10	42,0
28	58,5	44,45	49,0

DRAWN	K.WINCZURA	DATE	19/01/2015
CHECKED		DATE	19/01/2015
APPROVED	K.SHEPPARD	DATE	29/01/2015
APPROVED	H.SMITH	DATE	01/10/2015



3RD ANGLE  
PROJECTION  
NOT TO  
SCALE

UNLESS OTHERWISE SPECIFIED  
ALL DIMENSIONS IN MILLIMETRES  
GENERAL TOL  
LINEAR +/-0,25MM  
ANGULAR +/- 1°

REVISIONS

LTR	DESCRIPTION	DATE	APPROVED
R	REVISED PER ECO-15-002225	19/02/2015	H.SMITH
S	REVISED PER ECO-15-013980	01/10/2015	H.SMITH

TITLE:

BRAID TAIL BACKSHELL (CODE 54)

ASSY USED ON:

MIL-DTL-26482 SERIES II / MIL-DTL-83723 SERIES I & III

TE CONNECTIVITY - POLAMCO LTD RESERVES THE RIGHT TO AMEND THIS DRAWING  
AND THE INFORMATION SET FORTH HEREON AT ANY TIME. USERS SHOULD  
INDEPENDENTLY EVALUATE THE SUITABILITY OF THE PRODUCT FOR THEIR APPLICATION.

DRAWING NO:  
203M0XX

DRAWING REV:  
S

SHT  
2

TE CAGE CODE: 06090  
POLAMCO/TE CAGE CODE: U5792



Polamco



## X-ON Electronics

Largest Supplier of Electrical and Electronic Components

*Click to view similar products for [Circular MIL Spec Strain Reliefs & Adapters](#) category:*

*Click to view products by [TE Connectivity](#) manufacturer:*

Other Similar products are found below :

[896227-000](#) [899170S004](#) [0113-023-000](#) [6000-063-0022](#) [CS6624-000](#) [620AB038Z136](#) [620AS001Z108](#) [620AS038Z112](#) [620AS038Z120](#)  
[620AS038Z132](#) [620FB038NF08](#) [620HA038NF09](#) [620HA038NF11](#) [620HA038NF13](#) [620HA038NF25](#) [620HB049NF17](#) [620HS038NF11](#)  
[620HS038Z121](#) [620HS042XM19](#) [620HS042XM25](#) [620HS048B17](#) [620MS064NF12](#) [620MS065Z107](#) [620MS065ZNU06](#) [627-123NF21-11](#)  
[627-125NF23-6](#) [630J041M06H](#) [630J041M20H](#) [637S010NF0212H](#) [637S010NF0416A](#) [640830-000](#) [659943-000](#) [66241-10A](#) [CW0597-000](#)  
[CW0598-000](#) [CW0948-000](#) [CY0122-000](#) [M85049/41-6A W/B](#) [M85049/42-12DS](#) [M85049/47N8](#) [M85049/51-1-14S](#) [M85049/51S16S](#)  
[M85049/60-1N16](#) [M85049/60-2G12W](#) [M85049/69-11N](#) [CZ3661-000](#) [D02922-000](#) [70.360.1628.0](#) [703797-000](#) [705825-000](#)