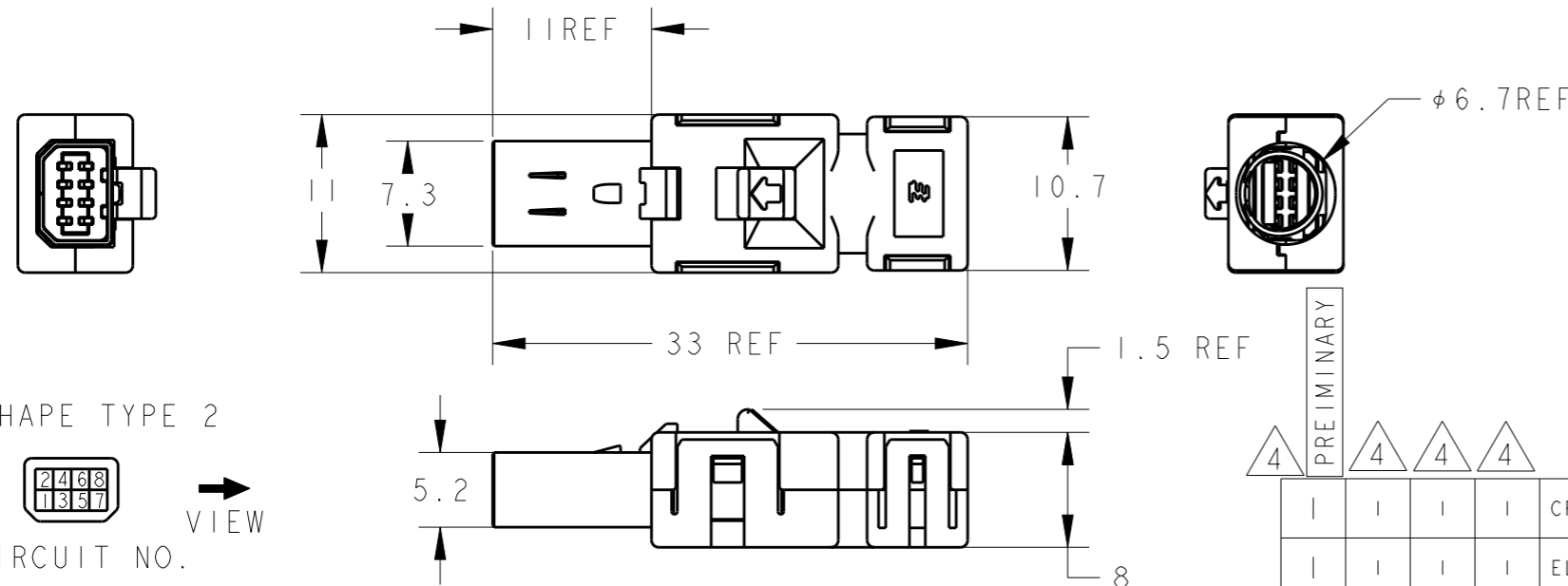
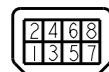


P	LTR	DESCRIPTION	DATE	DWN	APVD
D		REVISED	09AUG2010	T.S	N.Y
D1		ECR-18-016368	05SEP2018	GCM	P.P
D2		NOTE 4 ADDED (PROP 65 WARNING)	25AUG2020	SS	JDB
D3		ADDED NEW PART VARIANT 3-2040008-1	19OCT2020	SS	JDB

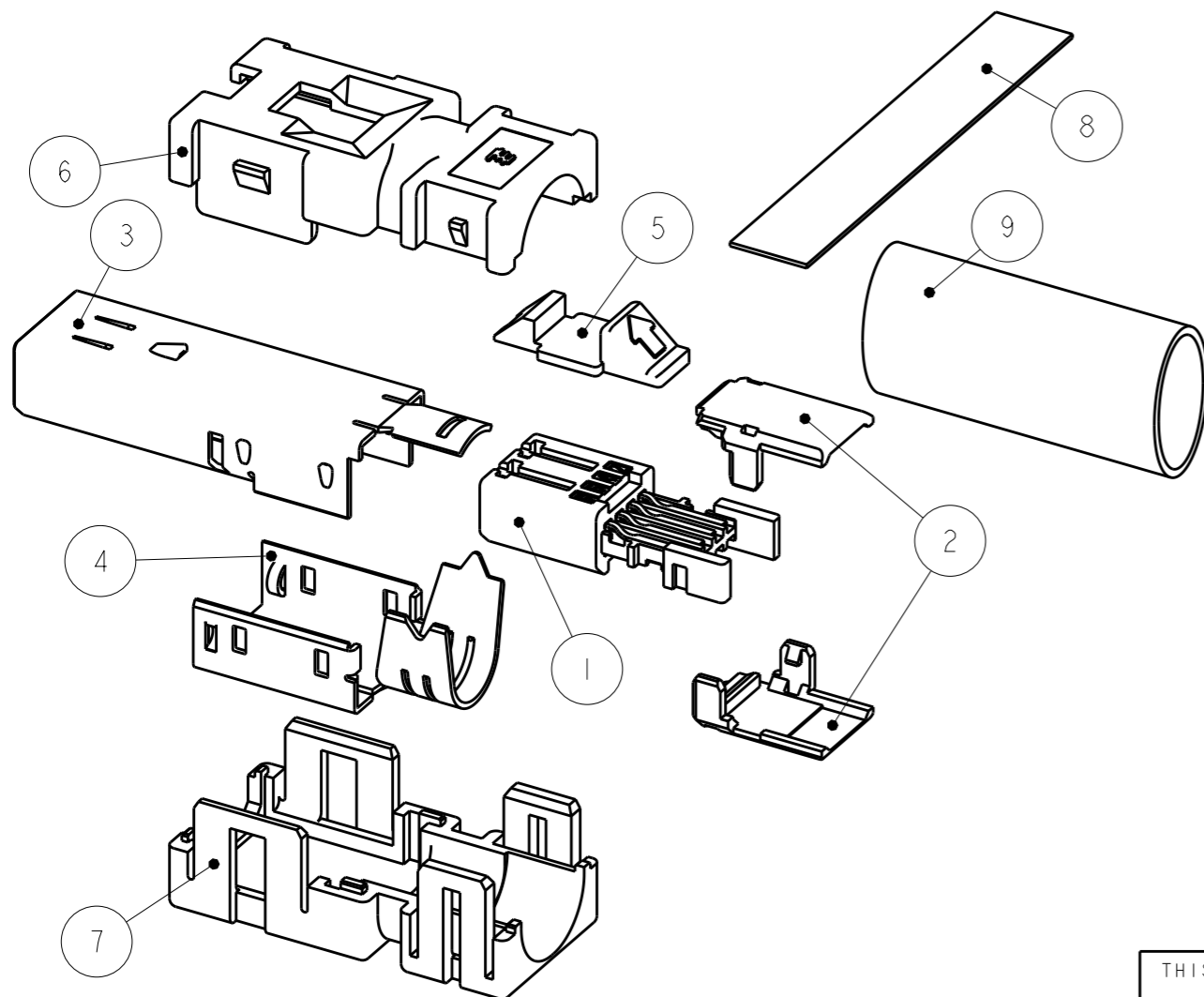


D-SHAPE TYPE 2



VIEW

CIRCUIT NO.



PRELIMINARY

REQ'D/ASSY	MATERIAL / FINISH	PART NAME	COLOR	ITEM NO.
1	CROSS-LINKED POLYOLEFIN	HEAT SHRINKABLE TUBE		9
1	ELECTROLYSIS COPPER FOIL, ACRYLIC ADHESIVE MATERIAL	COPPER FOIL TAPE		8
-	POLYESTER OF GLASS FILLED THERMO PLASTIC(UL94V-0)	BOTTOM COVER	YELLOW	7
1	POLYESTER OF GLASS FILLED THERMO PLASTIC(UL94V-0)	BOTTOM COVER	BLACK	6
-	POLYESTER OF GLASS FILLED THERMO PLASTIC(UL94V-0)	TOP COVER	YELLOW	6
1	POLYESTER OF GLASS FILLED THERMO PLASTIC(UL94V-0)	TOP COVER	BLACK	6
-	POLYESTER OF GLASS FILLED THERMO PLASTIC(UL94V-0)	LOCK EJECTOR		5
1	POLYESTER OF GLASS FILLED THERMO PLASTIC(UL94V-0)	LOCK EJECTOR		5
1	STEEL/UNDER:Cu PLATING, TOP:Ni PLATING	BOTTOM SHELL		4
1	STEEL/UNDER:Cu PLATING, TOP:Ni PLATING	TOP SHELL		3
2	POLYESTER OF GLASS FILLED THERMO PLASTIC(UL94V-0)	PLUG HSG COVER		2
1	CONTACT: COPPER ALLOY UNDER ALL SURFACE: Ni PLATING 1.27μmMIN TOP CONTACT AREA: Au PLATING: 0.76μmMIN SOLDERING AREA: Au FLASH HSG: POLY-AMID OF GLASS FILLED THERMO PLASTIC(UL94V-0)	PLUG HSG SUB ASSY		1
-	CONTACT: COPPER ALLOY UNDER ALL SURFACE: Ni PLATING 1.27μmMIN TOP CONTACT AREA: Au PLATING: 0.5μmMIN SOLDERING AREA: Au FLASH HSG: POLY-AMID OF GLASS FILLED THERMO PLASTIC(UL94V-0)			1
3-2040008-1				
2040008-3				
2040008-2				
2040008-1				

1. APPLICABLE CABLE: RECOMMENDED AWG30~26 X 8C
MAX AWG22 X 4C
OVERALL DIAMETER 6.7MAX.
2. DATE CODE IS DESCRIBED ON THE BUNDLED CUSTOMER DRAWING.
3. THE PRODUCT OF THIS DRAWING NO. IS PACKED INDIVIDUALLY IN PACKAGE OF EXCLUSIVE USE.

4 PROP 65 WARNING LABEL: SEE SHEET 2

THIS DRAWING IS A CONTROLLED DOCUMENT.

DWN	S. INOMATA	12NOV2007
CHK	I. HASEGAWA	12NOV2007
APVD	I. HASEGAWA	12NOV2007
PRODUCT SPEC	108-78405	
APPLICATION SPEC	114-5431	
WEIGHT	-	

STE TE Connectivity

NAME: INDUSTRIAL MINI I/O
PLUG CONNECTOR KIT
D-SHAPE TYPE 2

SIZE	CAGE CODE	DRAWING NO	RESTRICTED TO
A3	00779	C-2040008	


CUSTOMER DRAWING SCALE 1:1 SHEET 1 OF 2 REV D3

REVISIONS

NOTES: CONTINUATION FROM SHEET 1:


4 PROP 65 WARNING LABEL:

- THE WARNING LABEL ON THE PRODUCT OR LOWEST LEVEL PACKAGING.
- CHEMICAL NAME: ANTIMONY TRIOXIDE



WARNING: This product can expose you to chemicals including ANTIMONY TRIOXIDE which is known to the state of California to cause cancer. For more information, visit www.P65Warnings.ca.gov.

P	LTR	DESCRIPTION	DATE	DWN	APVD
	-	SEE SHEET 1	-	-	-

THIS DRAWING IS A CONTROLLED DOCUMENT.		DWN S. INOMATA 12NOV2007	 TE Connectivity	
DIMENSIONS: mm		CHK I. HASEGAWA 12NOV2007		
TOLERANCES UNLESS OTHERWISE SPECIFIED: ±0.3		APVD I. HASEGAWA 12NOV2007	NAME INDUSTRIAL MINI I/O PLUG CONNECTOR KIT D-SHAPE TYPE 2	
0 PLC ± 1 PLC ±0.5 2 PLC ±0.13 3 PLC ±0.013 4 PLC ±0.0001 ANGLES ±		PRODUCT SPEC 108-78405	RESTRICTED TO	
MATERIAL SEE TABLE		APPLICATION SPEC 114-5431	SIZE A3	CAGE CODE 00779
FINISH SEE TABLE		WEIGHT -	DRAWING NO C-2040008	REV D3
		CUSTOMER DRAWING	SCALE 1:1	SHEET 2 OF 2

X-ON Electronics

Largest Supplier of Electrical and Electronic Components

Click to view similar products for [Modular Connectors / Ethernet Connectors](#) category:

Click to view products by [TE Connectivity](#) manufacturer:

Other Similar products are found below :

[8949-H88/06BLKA/SN](#) [74441-0010/BKN](#) [MP1010RX-1000](#) [MP44RX-1000](#) [PHJ-4P4C-1-V-4](#) [PHP-6P6C-5](#) [GAX-3-66](#) [GAX-8-62](#) [GDCX-PA-66-50](#) [GDCX-PN-64](#) [GDCX-PN-66](#) [GDCX-PN-66-50](#) [GDLX-A-66](#) [GDLX-N-66](#) [GDLX-S-66](#) [GDLX-S-88K](#) [GDLX-SMT-S-88](#) [GDTX-S-88-50](#) [GDX-PA-1010](#) [GLX-N-1010M-BLK](#) [GLX-S-88M-BLK](#) [GMX-N-1010](#) [GMX-S-1010](#) [GMX-S-66](#) [GMX-SMT4-N-88](#) [GPX-2-64](#) [GSGX-N-2-88](#) [GSGX-N-4-88](#) [GSX-NS2-88-3.05](#) [GSX-NS2-88-3.05-50](#) [GSX-NS-88-3.05-50](#) [PT-108A-8C-UL](#) [PT-J951-8C](#) [PTS-J531-8CS-50UL](#) [1-1775629-2](#) [A-2014-0-4](#) [GWLX-S-88-GR](#) [GWLX-S9-88-YG](#) [DC-1021-8-WH-6](#) [1300530003](#) [1324640-4](#) [RJ11FTVC2G](#) [RJ11FTVC2N](#) [RJFTVX2SA1G](#) [132764-001](#) [1413235](#) [MP88X-1000](#) [MPS88RX-5000](#) [E5288-S000K3-L](#) [E5908-15A242-L](#)