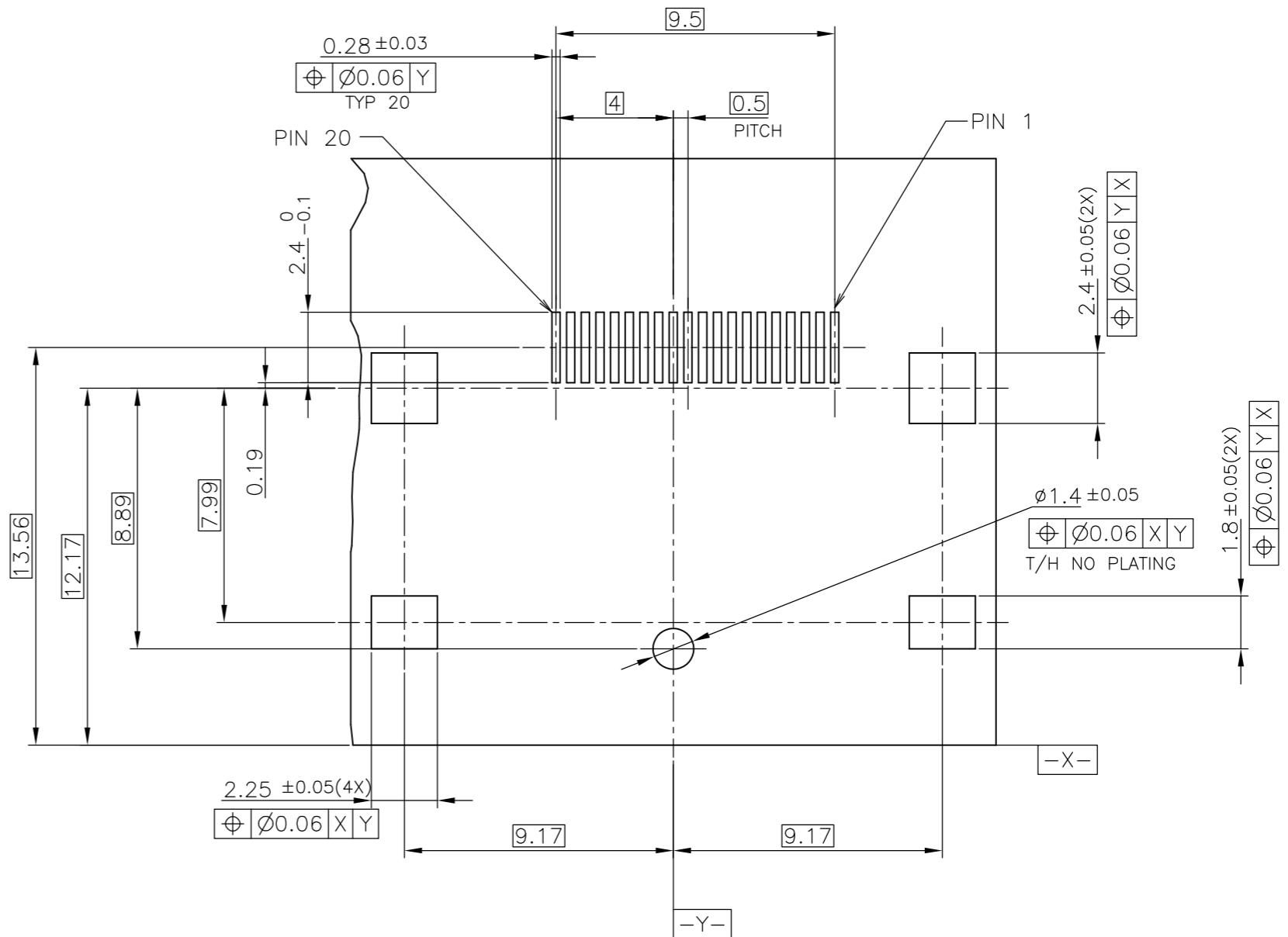
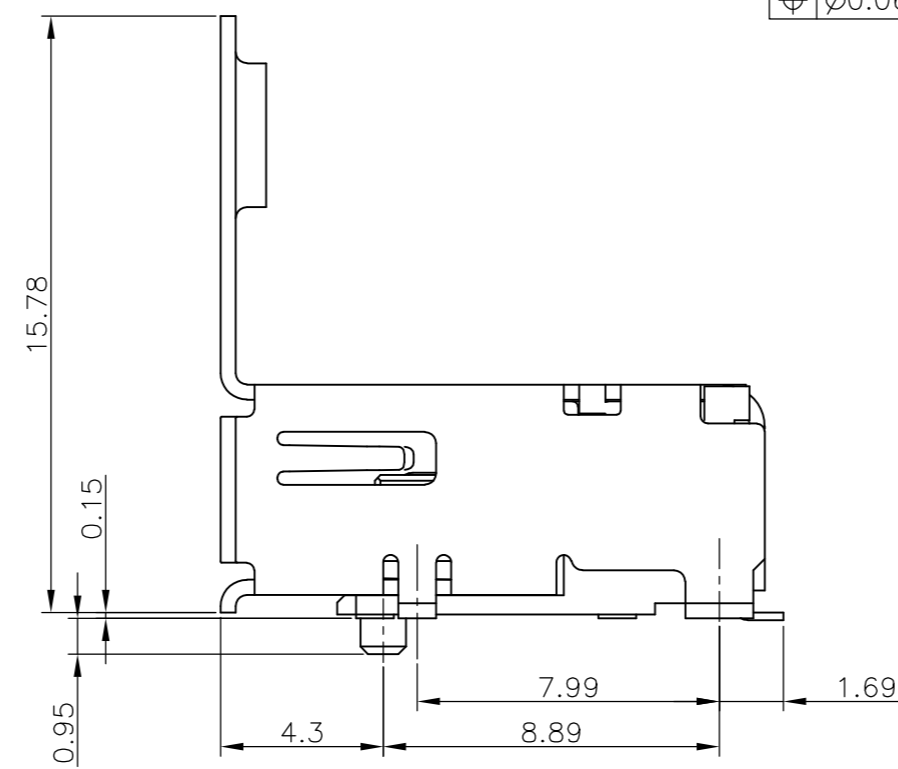
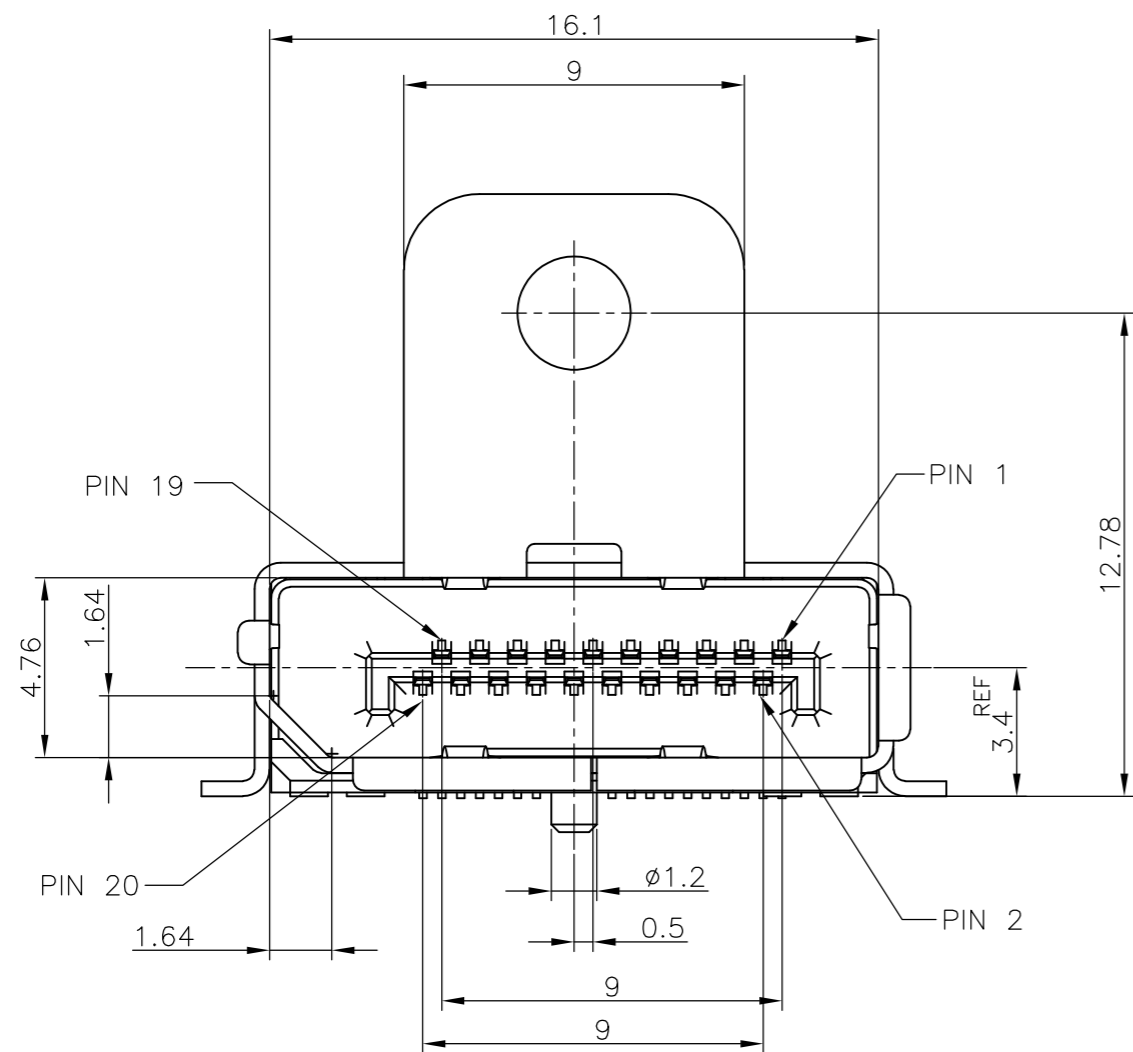
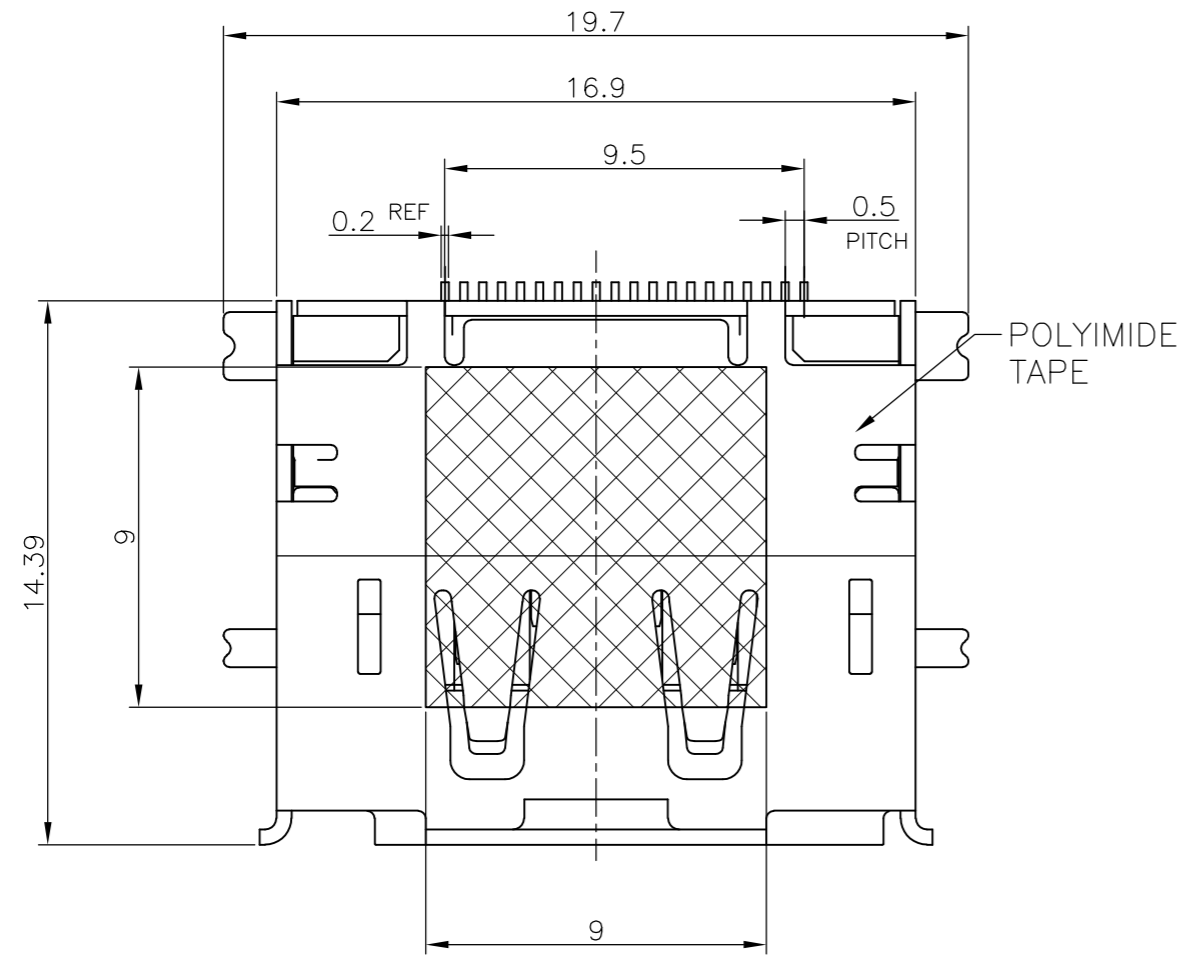


THIS DRAWING IS UNPUBLISHED. RELEASED FOR PUBLICATION JUL ,2008.  
 © COPYRIGHT 2008 BY TYCO ELECTRONICS CORPORATION. ALL RIGHTS RESERVED.

LOC DW	DIST	REVISONS 変更			DATE	DWN	APVD
P	LTR	DESCRIPTION	DATE	DWN	APVD		
D1		REVISED (ECR-15-018779)	1APR2016	A.X	H.W		

P/N:5-2040247-5; AS SHOWN



RECOMMENDED PCB LAYOUT MOUNTING SIDE

- MATERIAL: HOUSING: HIGH TEMPERATURE THERMAL PLASTIC, BLACK, UL94V-0; CONTACT: COPPER ALLOY; SHELL: COPPER ALLOY
- FINISH: CONTACT: CONTACT AREA: 0.76 MINIMUM MICRON GOLD PLATING OVER 1.27 MINIMUM MICRON NICKEL PLATING ALL; SOLDER TAIL AREA: 2.54 MINIMUM MICRON MATTE TIN PLATING; SHELL: MATTE TIN PLATING.

- 3 THIS PRODUCT IS PACKED IN REEL.
- 4 HALOGEN FREE.

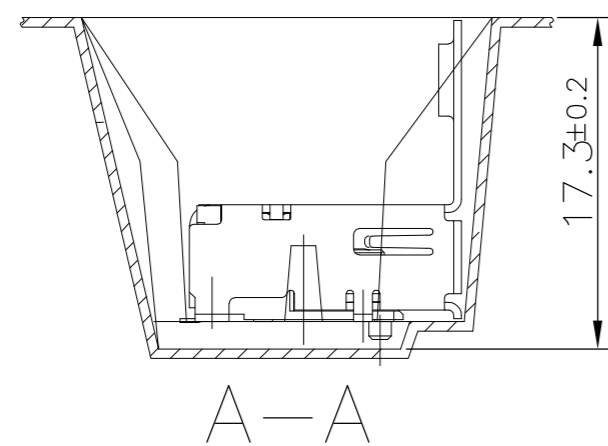
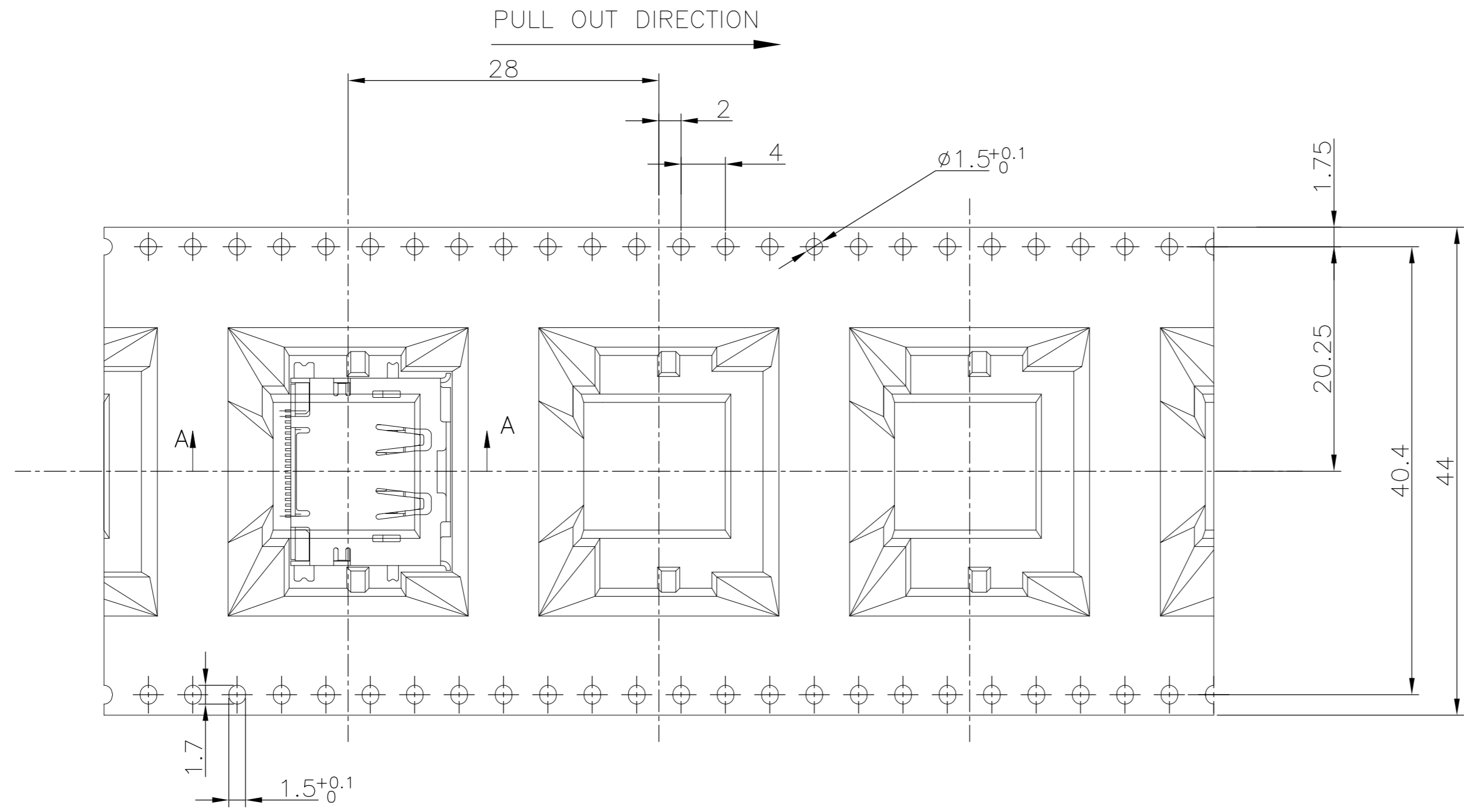
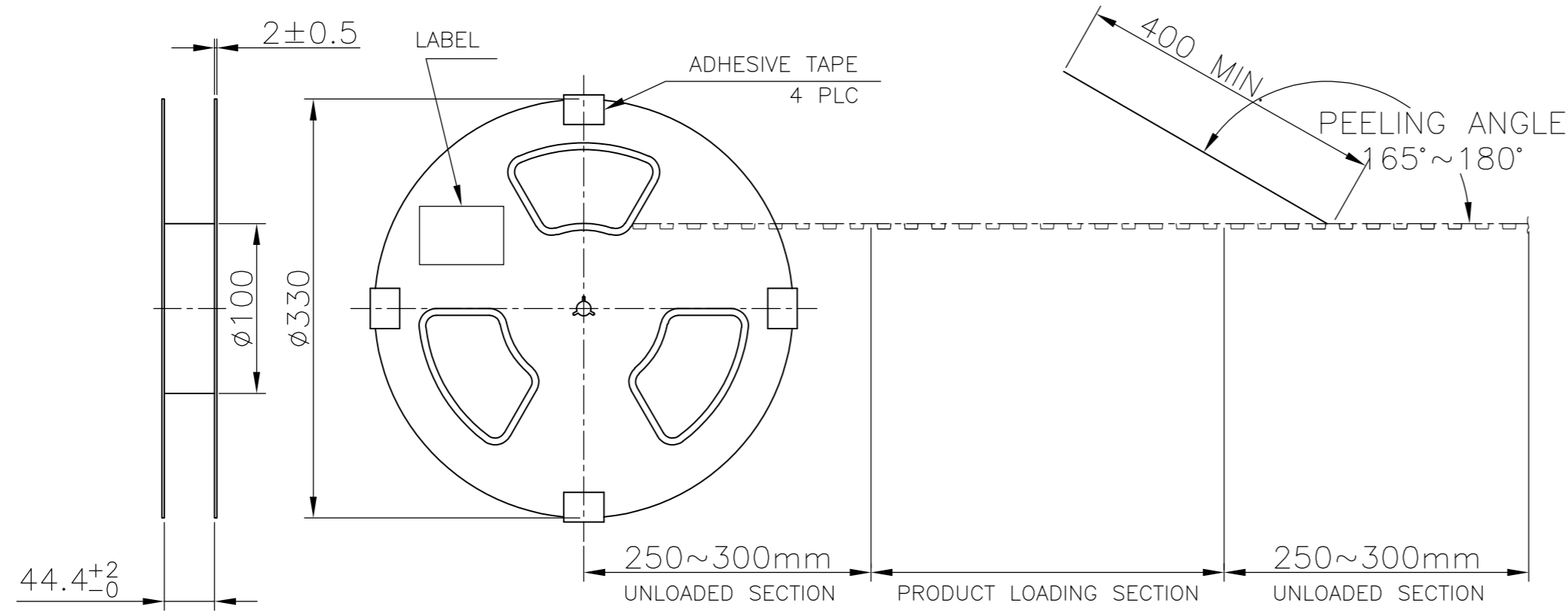
OBSELETE	WITH	5-2040247-5
	WITHOUT	2040247-5
	POLYIMIDE TAPE	PART NUMBER

THIS DRAWING IS A CONTROLLED DOCUMENT.		DWN Y.HIRATA 15FEB2008	Tyco Electronics Corporation Kawasaki, Japan	
DIMENSIONS: 単位: 寸 mm		CHK T.KUSUHARA 15FEB2008	NAME 名称	
TOLERANCES UNLESS OTHERWISE SPECIFIED: 一般公差		APVD T.KUSUHARA 15FEB2008	RECEPTACLE ASSEMBLY DISPLAYPORT RA SMT STD SMT-LEG WITH FLANGE	
0 PLC ± 0.3 1 PLC ± 0.3 2 PLC ± 0.3 3 PLC ± 0.3 4 PLC ± 0.3 ANGLES ± 2°		PRODUCT SPEC 製品規格 108-78515	SIZE A2	CAGE CODE 00779
MATERIAL 材料	FINISH 仕上	WEIGHT 2.82g	DRAWING NO 番号 C=2040247	RESTRICTED TO
		CUSTOMER DRAWING	SCALE 尺度 5:1	SHEET 1 of 3 REV D1

THIS DRAWING IS UNPUBLISHED. RELEASED FOR PUBLICATION JUL , 2008.  
 © COPYRIGHT 2008 BY TYCO ELECTRONICS CORPORATION. ALL RIGHTS RESERVED.

LOC		DIST		REVISIONS			
DW		-		変更	変更	変更	変更
P	LTR	DESCRIPTION	DATE	DWN	APVD		
-	-	SEE SHEET 1	-	-	-		

PCAKING FOR 2040247-5

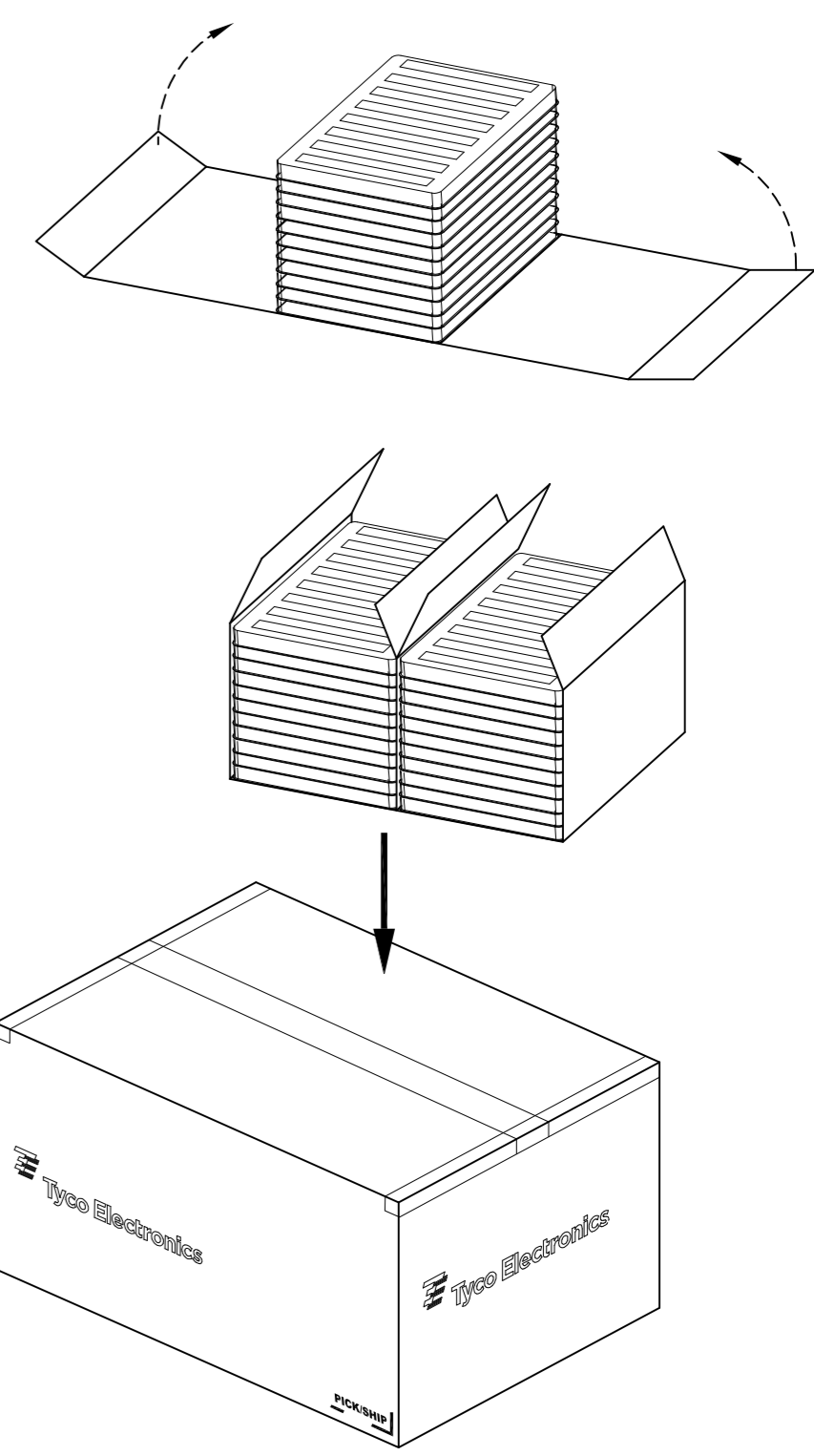
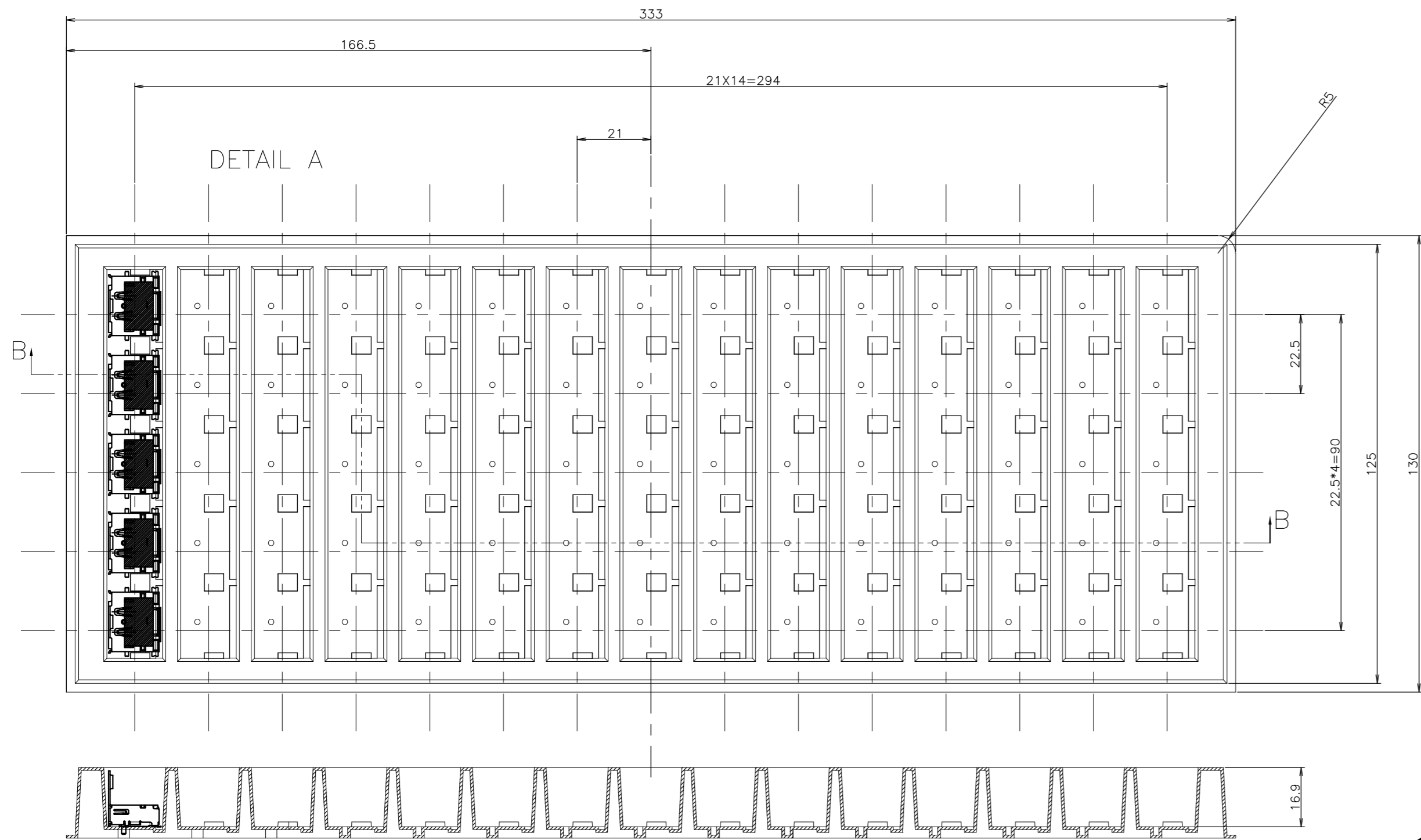


THIS DRAWING IS A CONTROLLED DOCUMENT.		DWN	Tyco Electronics Corporation	
DIMENSIONS: 単位: 耗 mm		CHK	Kawasaki, Japan	
TOLERANCES UNLESS OTHERWISE SPECIFIED: 一般公差		APVD	NAME 名称	
0 PLC $\pm 0.3$	1 PLC $\pm 0.3$	PRODUCT SPEC 製品規格	RECEPTACLE ASSEMBLY	
2 PLC $\pm 0.3$	3 PLC $\pm 0.3$	APPLICATION SPEC 取付適用規格	DISPLAYPORT RA SMT STD	
4 PLC $\pm 0.3$	ANGLES $\pm 2'$	WEIGHT	SIZE A2	CAGE CODE 00779
MATERIAL 材料	FINISH 仕上	CUSTOMER DRAWING	DRAWING NO. 番号 C=2040247	RESTRICTED TO
			SCALE 尺度 NTS	SHEET 2 OF 3
			REV D1	

THIS DRAWING IS UNPUBLISHED. RELEASED FOR PUBLICATION JUL ,2008.  
 © COPYRIGHT 2008 BY TYCO ELECTRONICS CORPORATION. ALL RIGHTS RESERVED.

LOC	DIST	REVISIONS					
DW		P	LTR	DESCRIPTION	DATE	DWN	APVD
		-	-	SEE SHEET 1	-	-	-

PACKING FOR 5-2040247-5



**OBSOLETE**

- 1. PACKING MATERIAL :
  - 1.1 TRAY: PS
  - 1.2 SHIPPING CARTON: CORRUGATED FIBER
- 2. QUANTITY :
  - 2.1 PRIMARY PACKING: 75 PCS/TRAY
  - 2.2 SECONDARY PACKING: 20 TRAY (1500 PCS)/BOX

THIS DRAWING IS A CONTROLLED DOCUMENT.		DWN	16FEB2008		Tyco Electronics Corporation Kawasaki, Japan
DIMENSIONS: 單位: 耗 mm		CHK			
TOLERANCES UNLESS OTHERWISE SPECIFIED: 一般公差		APVD			RECEPTACLE ASSEMBLY DISPLAYPORT RA SMT STD SMT-LEG WITH FLANGE
0 PLC ± 0.3 1 PLC ± 0.3 2 PLC ± 0.3 3 PLC ± 0.3 4 PLC ± 0.3 ANGLES ± 2°		PRODUCT SPEC	製品規格		SIZE
MATERIAL 材料		APPLICATION SPEC	取付適用規格		CAGE CODE
FINISH 仕上		WEIGHT			DRAWING NO 番号
		CUSTOMER DRAWING			A2 00779 C=2040247
		SCALE	NTS		SHEET
			3 OF 3		REV
			D1		

## X-ON Electronics

Largest Supplier of Electrical and Electronic Components

*Click to view similar products for [HDMI, Displayport & DVI Connectors](#) category:*

*Click to view products by [TE Connectivity](#) manufacturer:*

Other Similar products are found below :

[1775247-3](#) [2-1932649-5](#) [30-1231](#) [30-528](#) [2069485-1](#) [30-504](#) [30-519](#) [30-542](#) [47648-2000](#) [2002-400](#) [769-103/021-000](#) [1932649-1](#) [233-368NFG6-17NH](#) [PJ-210A](#) [PJ-35825](#) [6321-026RDS1MWA02](#) [FDB0901-M0DB300K6KF](#) [DV11201-H5R6-4F](#) [RPI-16337](#) [CC-MDPM-VGAM-6](#) [RPI-16338](#) [CCB-HDMIL-1.5M](#) [CCB-HDMIL-1M](#) [CCB-HDMIL-2M](#) [CCB-HDMIL-3M](#) [CCB-HDMIL-5M](#) [CCB-HDMIL-7.5M](#) [CCBP-HDMI-10M](#) [CCBP-HDMI-1M](#) [CCBP-HDMI-2M](#) [CCBP-HDMI-3M](#) [CCBP-HDMI-5M](#) [CCBP-HDMI-7.5M](#) [CCBP-HDMI8K-1M](#) [CCBP-HDMI8K-2M](#) [CCBP-HDMI8K-3M](#) [AK-AV-02](#) [AK-AV-03](#) [AK-AV-05](#) [AK-AV-11](#) [AK-AV-13](#) [AK-AV-15](#) [CCP-MDP2-6](#) [CCP-MDPMDP2-6](#) [AK-HD-05A](#) [AK-HD-100A](#) [AK-HD-100P](#) [AK-HD-15P](#) [AK-HD-30A](#) [AK-HD-30P](#)