

THIS DRAWING IS UNPUBLISHED. RELEASED FOR PUBLICATION 20
 © COPYRIGHT 20 BY TYCO ELECTRONICS CORPORATION. ALL RIGHTS RESERVED.

LOC	DIST	REVISIONS					
		P	LTR	DESCRIPTION	DATE	DWN	APVD
J	-		A	RELEASED	17APR2008	S.F	Y.F

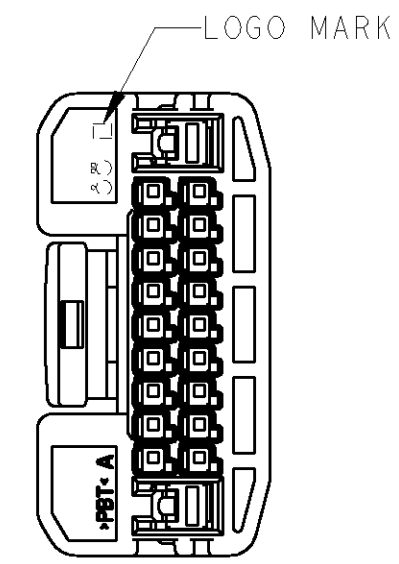
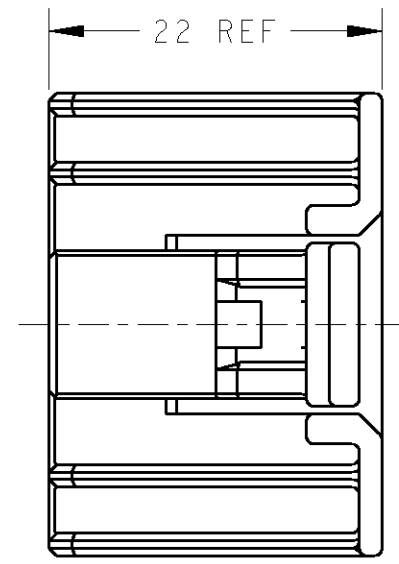
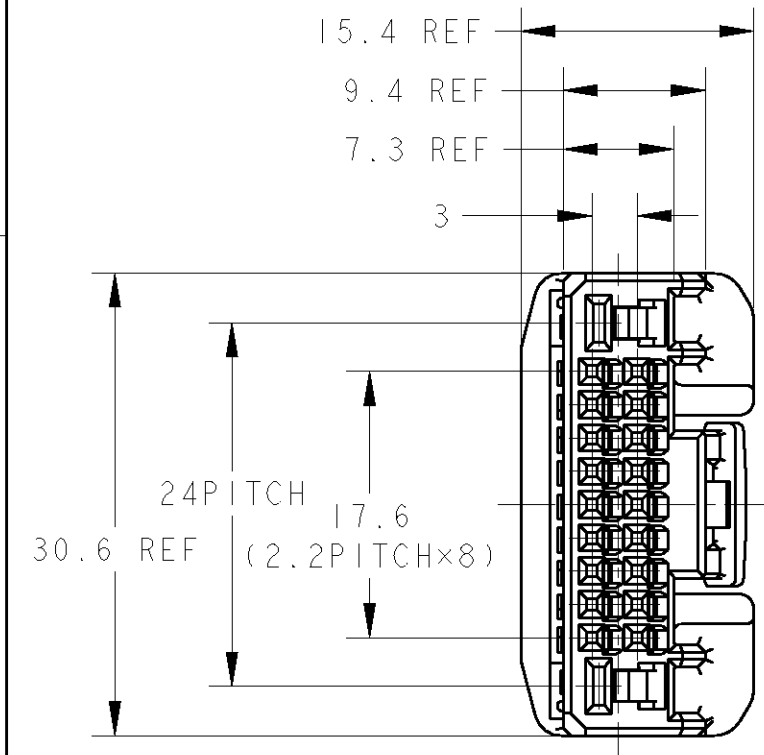
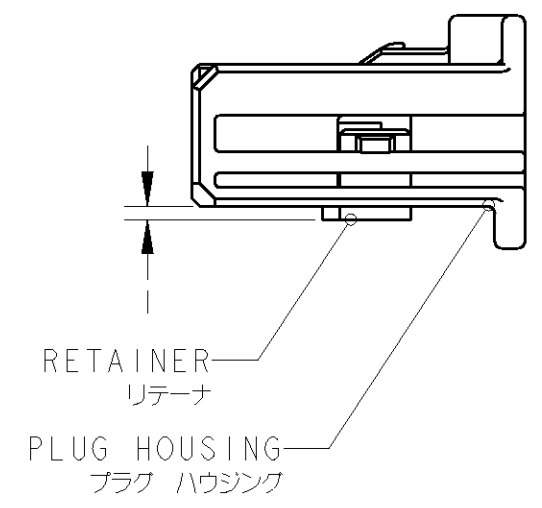


TABLE - 1

POS. 極数	CAP HOUSING P/N キャップハウジング型番
20	1674477-1

TABLE - 2

TYPE 端子種類	FINISH 仕上げ	APPLICABLE TERMINAL P/N 適用端子型番	APPLICABLE WIRE RANGE 適用電線 (mm ²)
SIGNAL 0.64	TIN	1674311-1	AVSS/AVSSH/AESSX 0.3~0.5 CAVS/CAVUS
POWER 2.3	TIN	1981341-1	AVS/CAVS/AVSS/CAVUS 0.3~0.5 AVX/AEX/ABAVX 0.5f
	TIN	1981341-2	AVS/CAVS/CAVUS 0.85~1.25 AVSS 0.75f, 0.85~2.0



PAPER BOX ダンボール箱	PLASTIC BAG ビニール袋	NATURAL 白色	2040487-1
OUTER 外装	INNER 内装	COLOR 色	PART NUMBER 製品型番
PACKING STYLE 梱包形態			

1. プラグハウジングにリテーナを仮係止して出荷される。
2. 嵌合相手型番: TABLE - 1 参照。
3. 適用端子: TABLE - 2 参照。
4. 取扱説明書番号: 411-78307

1. RETAINER MUST BE SET TO THE PRE-ASSEMBLY POSITION WITHIN THE PLUG HOUSING WHEN SHIPPED TO THE CUSTOMER.
2. PART NUMBER OF CAP HOUSING TO BE MATED: SEE TABLE - 1.
3. APPLICABLE TERMINAL: SEE TABLE - 2.
4. INSTRUCTION SHEET NO.: 411-78307

THIS DRAWING IS A CONTROLLED DOCUMENT FOR TYCO ELECTRONICS CORPORATION. IT IS SUBJECT TO CHANGE AND THE CONTROLLING ENGINEERING ORGANIZATION SHOULD BE CONTACTED FOR THE LATEST REVISION.

DIMENSIONS: 単位: 概 mm	TOLERANCES UNLESS OTHERWISE SPECIFIED: 一般公差 ±0.3 0-PLC ± 1-PLC ±0.5 2-PLC ±0.13 3-PLC ±0.013 4-PLC ±0.001 ANGLES ±3'00"	DWN S.FURUYA 17APR2008 CHK T.KOHNO 17APR2008 APVD Y.FUJIWARA 17APR2008	Tyco Electronics Tyco Electronics AMP K.K. Kawasaki, Japan	
MATERIAL PBT	FINISH 仕上 SEE TABLE	PRODUCT SPEC 108-78547 APPLICATION SPEC 114-5329, 114-5411	NAME 名称 20POS PLUG HOUSING ASSEMBLY 0.64111/2.3TW CONNECTOR	
		WEIGHT 5 g	SIZE A3	CAGE CODE 00779
		CUSTOMER DRAWING	DRAWING NO 2040487	RESTRICTED TO -
			SCALE 2:1	SHEET 1 OF 1 REV A

X-ON Electronics

Largest Supplier of Electrical and Electronic Components

Click to view similar products for [Automotive Connectors](#) category:

Click to view products by [TE Connectivity](#) manufacturer:

Other Similar products are found below :

[003-018-000](#) [60403001](#) [60993906-B](#) [M902-2131](#) [M902-2161](#) [72.330.1035.1](#) [73.353.4028.0](#) [F119300-B](#) [F166900](#) [F258300-B](#) [F358300-B](#)
[F407400](#) [F444110](#) [F487000](#) [F509500B-B](#) [827153-1](#) [8N1515-32-24P](#) [9-1326729-8](#) [925474-1](#) [928905-1](#) [964562-4](#) [968782-1](#) [GT17SA-8DS-](#)
[HU](#) [98891-1012](#) [98947-1016](#) [12004147](#) [12004475-L](#) [12010290](#) [12010309-B](#) [12015454](#) [12020219-B](#) [12020308](#) [12041318-B](#) [12052225-L](#)
[12052466](#) [12059125](#) [12064869](#) [12004327-B](#) [12010503-B](#) [12015308](#) [12015384](#) [12015909](#) [1-21030-1](#) [12041254](#) [12041318](#) [12047946-B](#)
[12047957](#) [12047957-L](#) [12059473](#) [12066261](#)