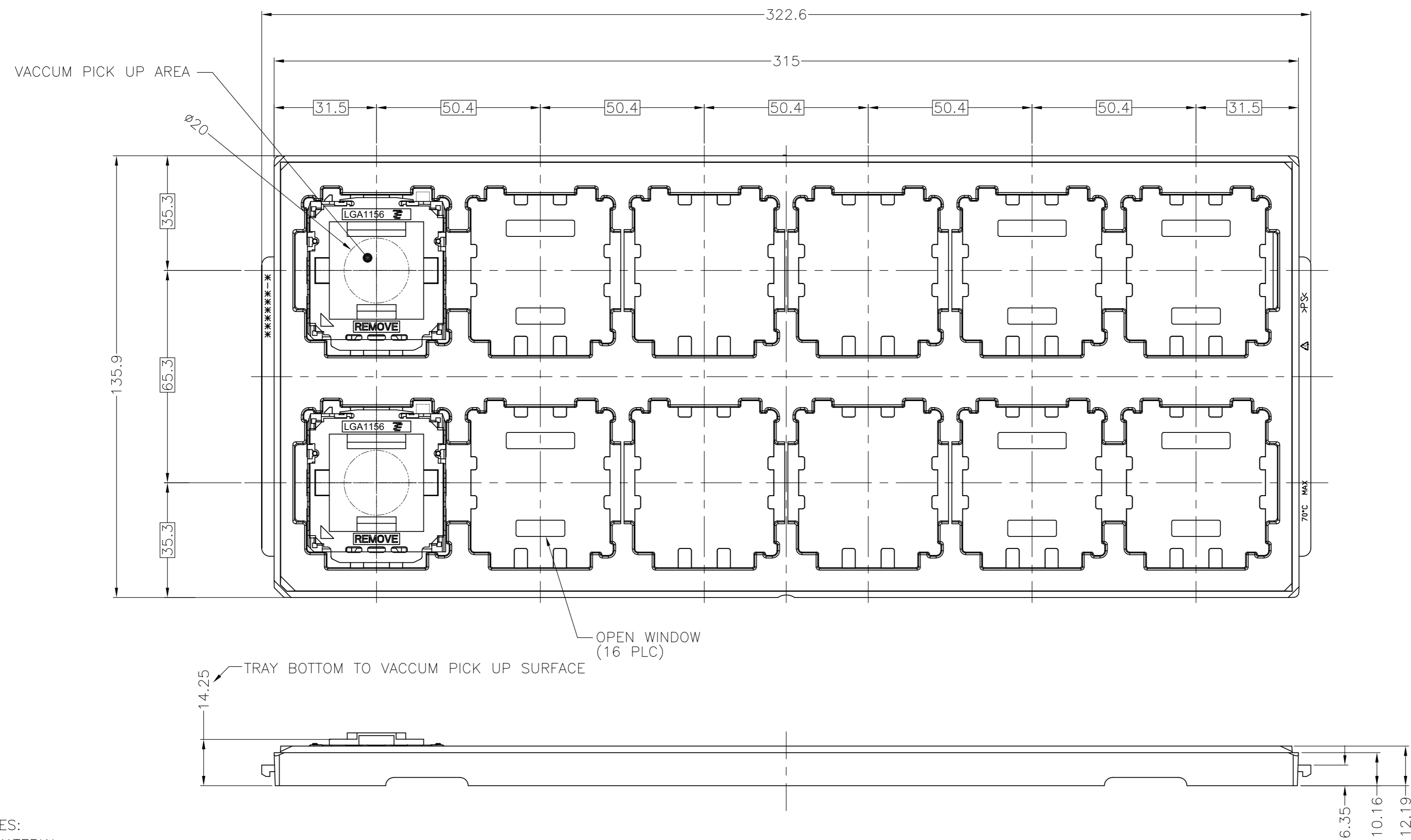


THIS DRAWING IS UNPUBLISHED. RELEASED FOR PUBLICATION
 © COPYRIGHT - 20MAY2009 ALL RIGHTS RESERVED.

LOC	DIST	REVISONS					
J	-	P	LTR	DESCRIPTION	DATE	DWN	APVD
		B1	REVISED		01JUL'11	J.M	T.N



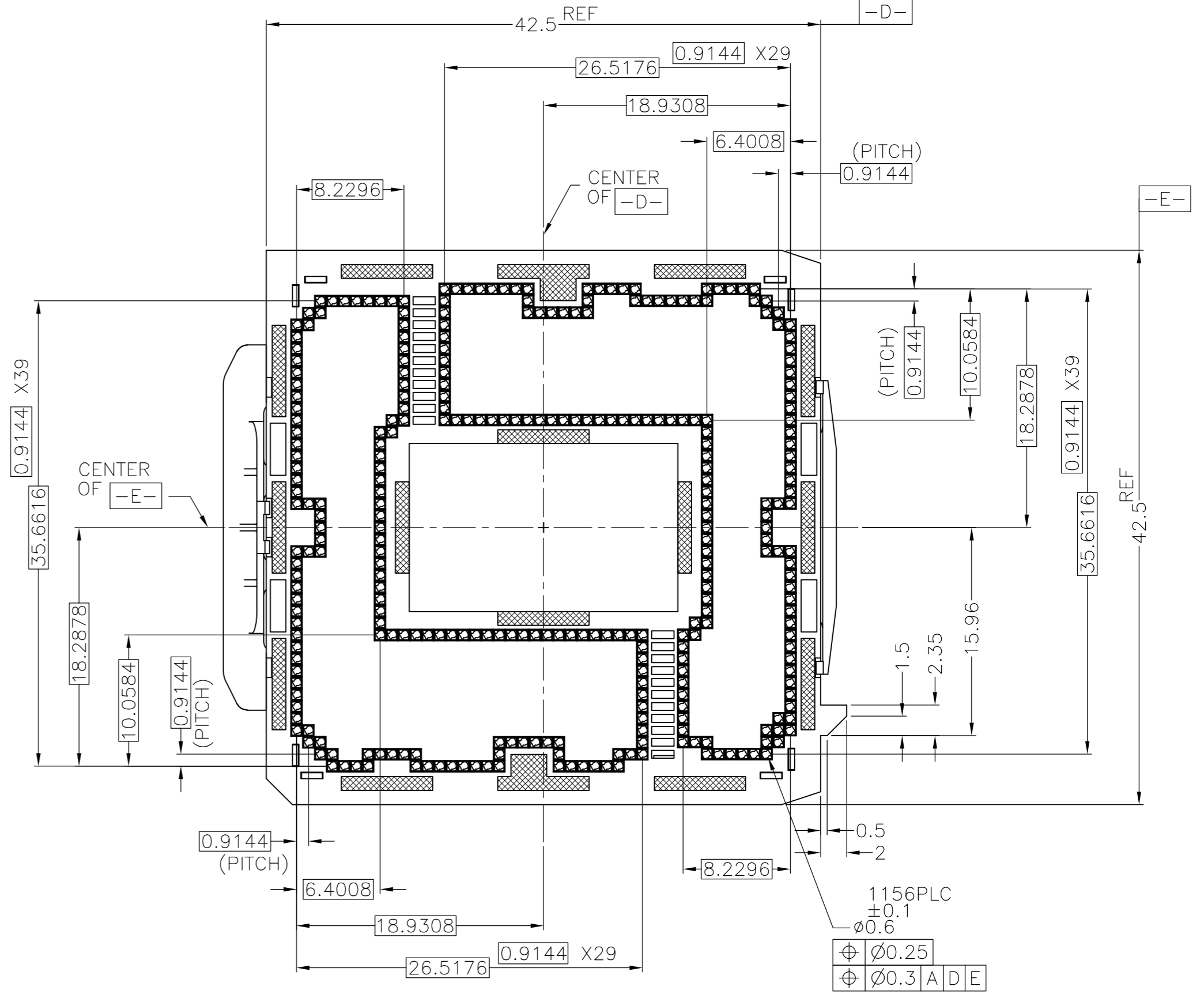
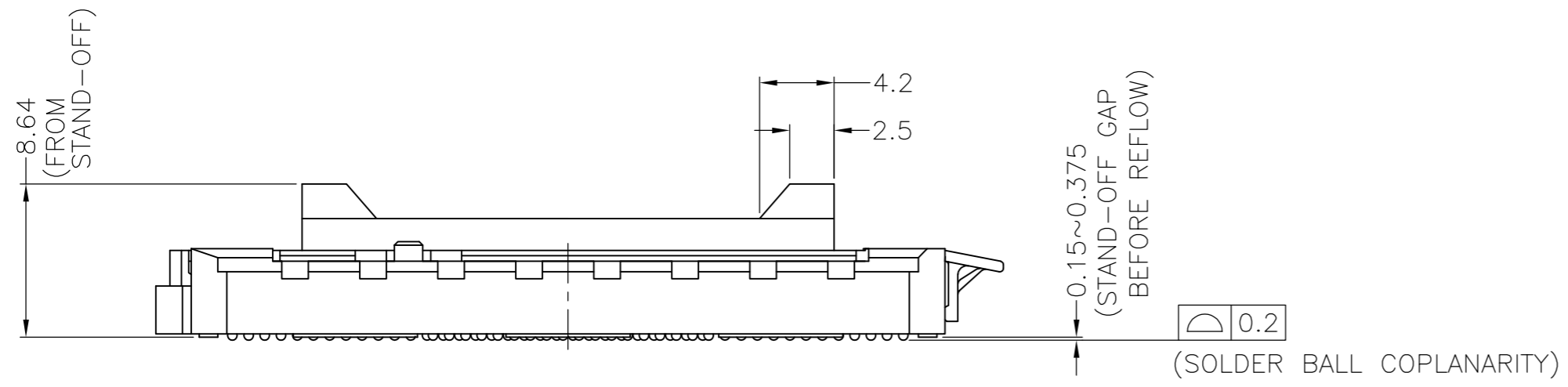
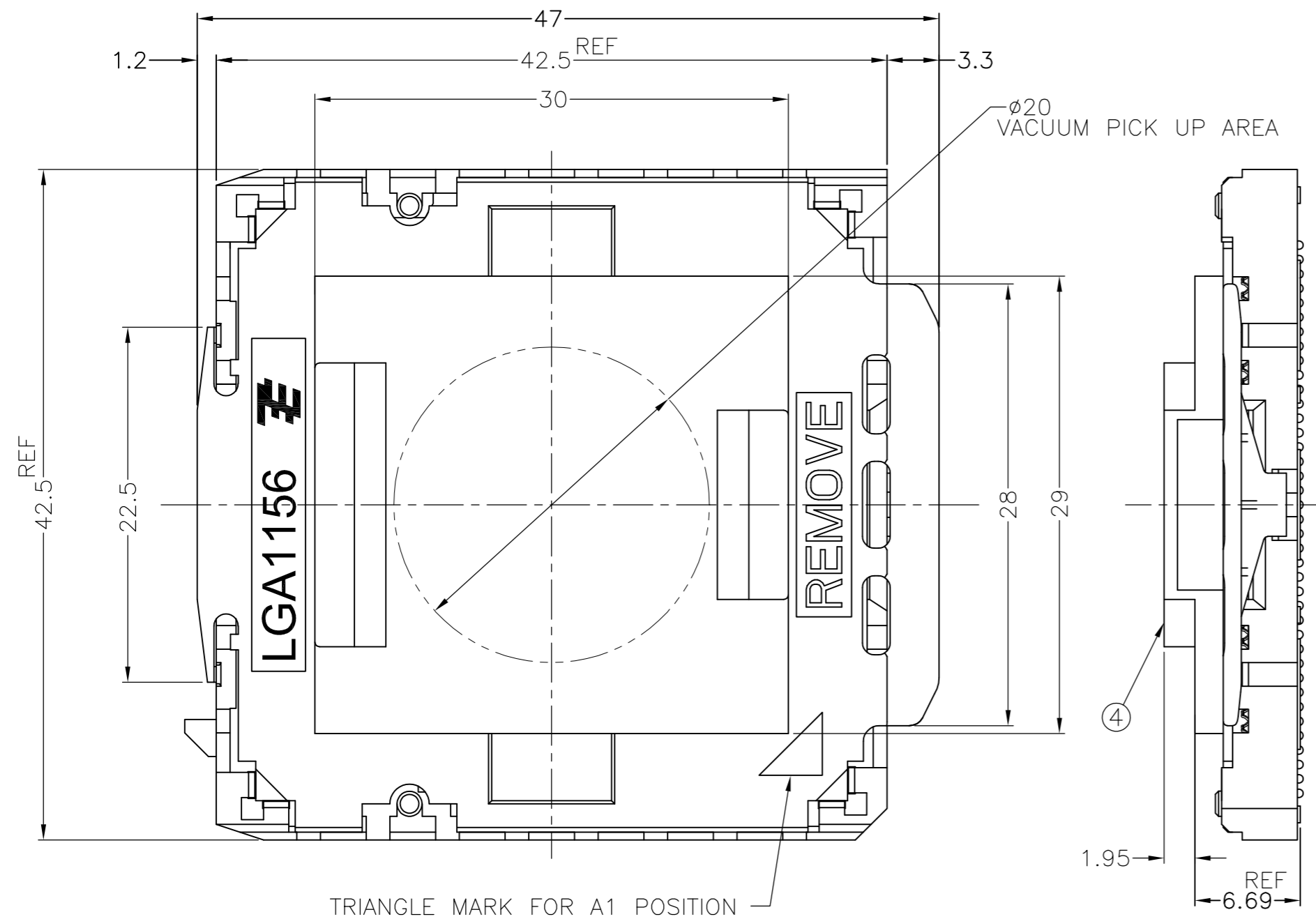
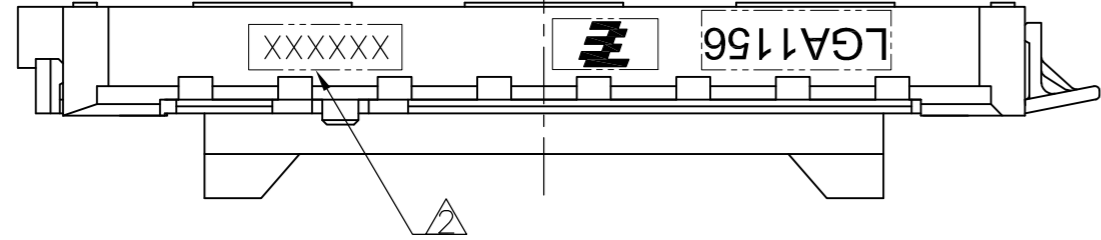
- NOTES:
- MATERIAL
 - HOUSING : HIGH TEMP, THERMO-PLASTIC, UL94V-0, BLACK
 - CONTACT : COPPER ALLOY
FINISH : Au PL. AT CONTACT AREA ON OVERALL OVER Ni UNDER PL. 0.00127 MIN.
 - SOLDER BALL : Sn/Ag/Cu
 - CAP : HIGH TEMP. THERMO-PLASTIC, UL94V-0, BLACK
 - INDICATED DATE CODE ON THE HSG

2040540-2	GOLD FLASH PL
2040540-1	0.38 um MIN Au PL
PATR NUMBER	DESCRIPTION

THIS DRAWING IS A CONTROLLED DOCUMENT.		DWN	T.TOKUNAGA	20MAY2009	 TE Connectivity	NAME SOCKET ASSY LGA1156	
DIMENSIONS: 単位: 純 mm		CHK	H.TAGUCHI	20MAY2009			
TOLERANCES UNLESS OTHERWISE SPECIFIED: 一般公差		APVD	T.NAKASHIMA	20MAY2009			
0-PLC ± ±0.5 1-PLC ± ±3' 2-PLC ± ±3' 3-PLC ± ±3' 4-PLC ± ±3' ANGLES ± ±		PRODUCT SPEC	製品規格	108-78586			
MATERIAL 材料	FINISH 仕上	APPLICATION SPEC	取付適用規格	114-5444	SIZE	A2	
		WEIGHT	9.8g	CAGE CODE	00779	DRAWING NO 番号	C=2040540
		CUSTOMER DRAWING		SCALE	1:1	SHEET	1 of 5
				REV	B1		

THIS DRAWING IS UNPUBLISHED. RELEASED FOR PUBLICATION
 © COPYRIGHT - By - ALL RIGHTS RESERVED.

LOC		DIST		REVISIONS			DATE	DWN	APVD
P	LTR	DESCRIPTION							
-	-	SEE SHEET 1			-	-	-	-	-

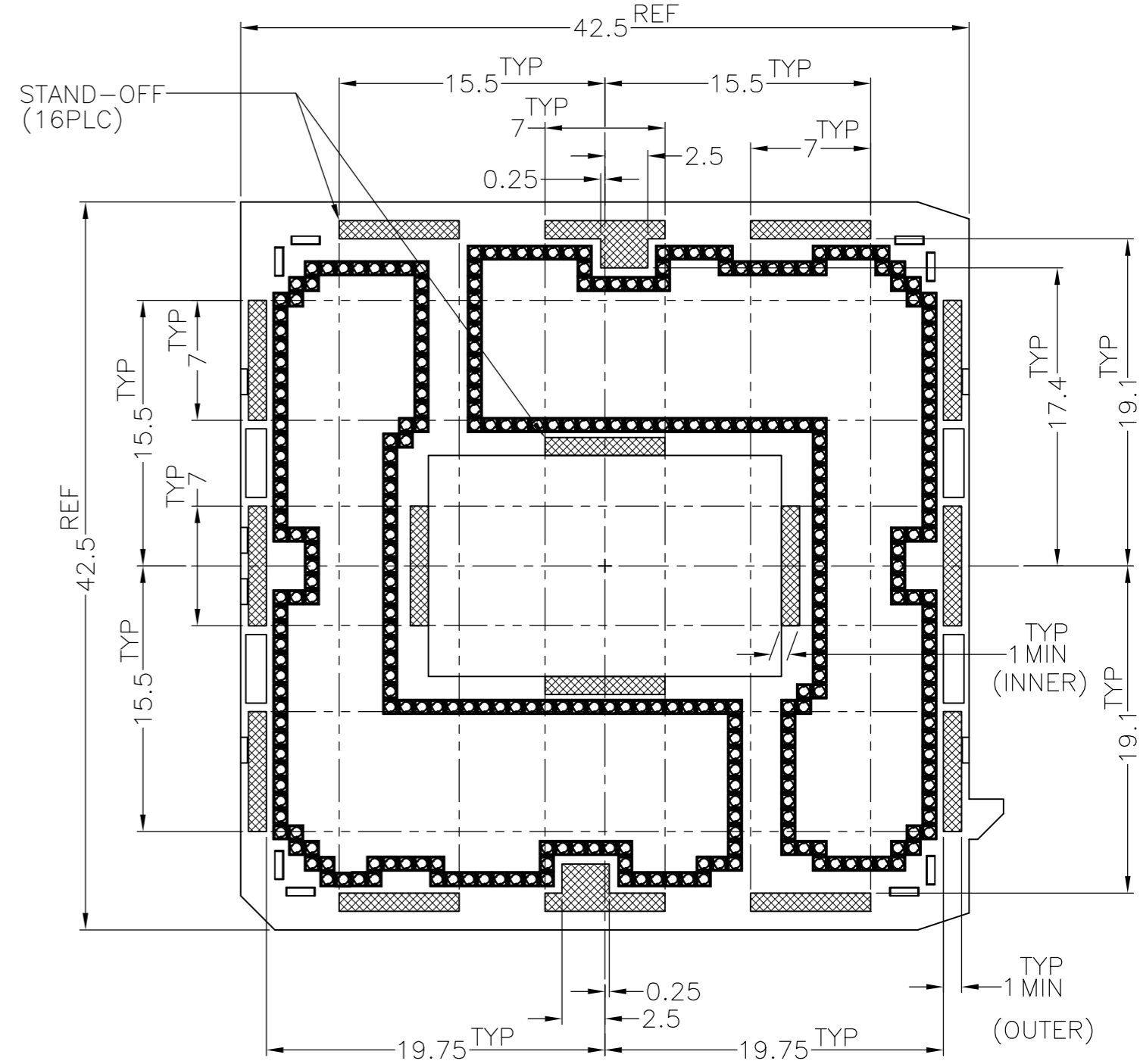
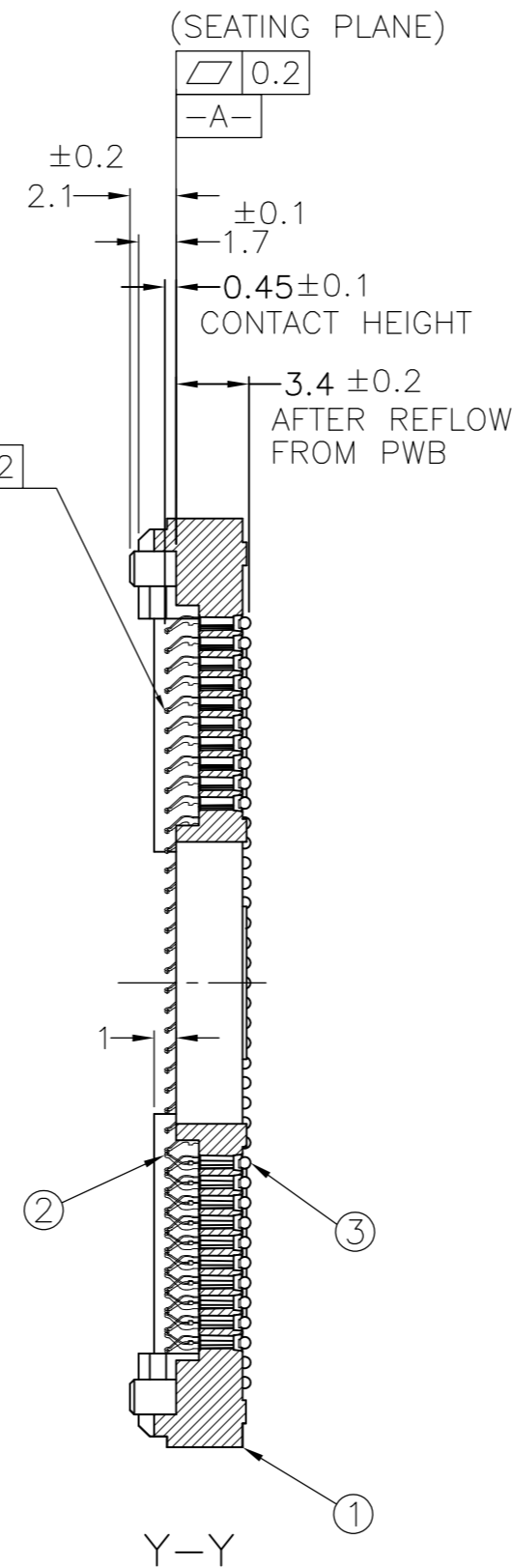
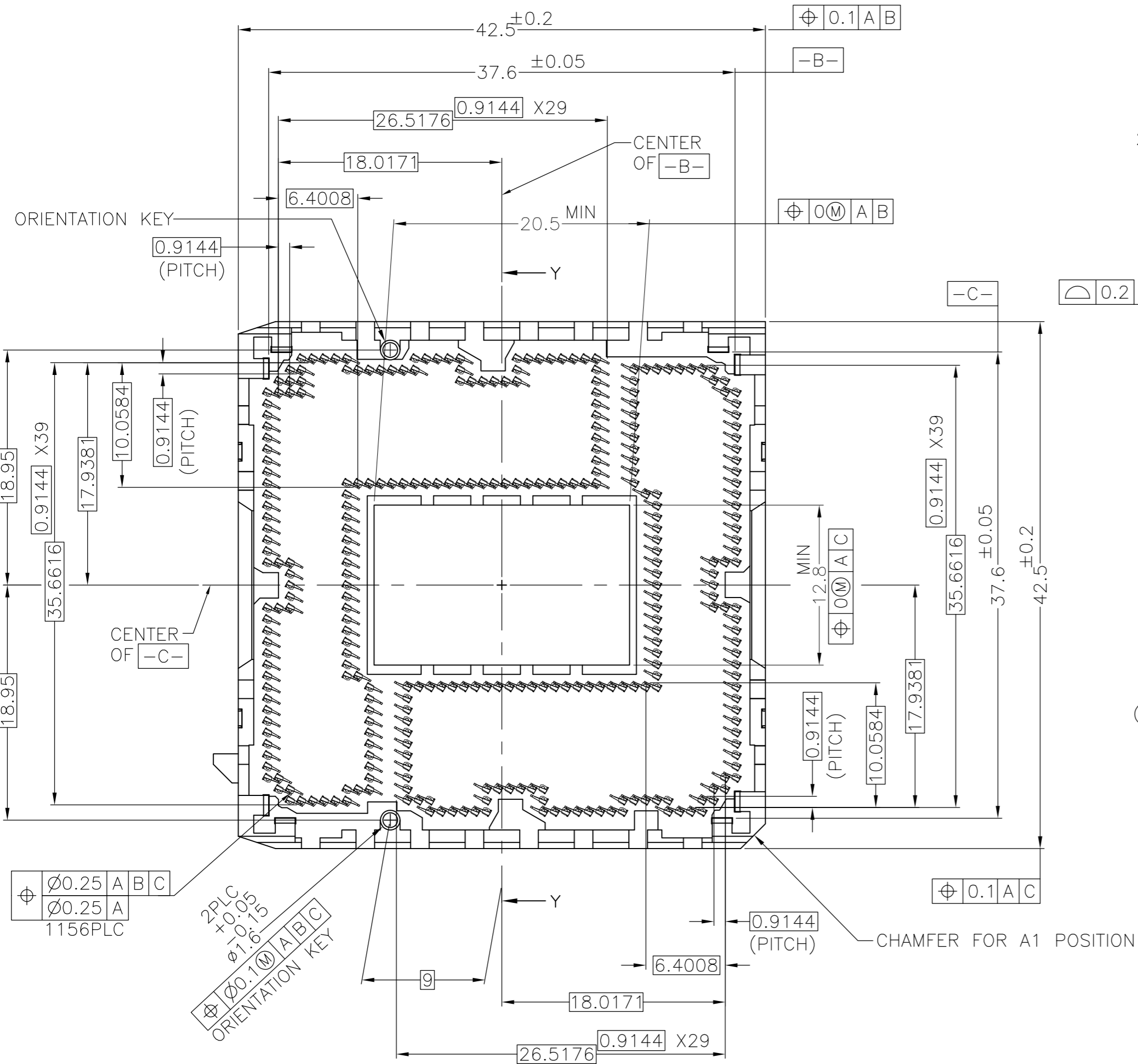


2040540-X : AS SHOWN

THIS DRAWING IS A CONTROLLED DOCUMENT.		DWN	-	STE TE Connectivity	
DIMENSIONS: 單位: 耗 mm		CHK	-		
TOLERANCES UNLESS OTHERWISE SPECIFIED: 一般公差		APVD	-	NAME 名稱	
0-PLC ± ±0.3 1-PLC ± ±0.3 2-PLC ± ±0.3 3-PLC ± ±0.3 4-PLC ± ±0.3 ANGLES ± ±0.3		PRODUCT SPEC 製品規格		SOCKET ASSY LGA1156	
MATERIAL 材料		FINISH 仕上		SIZE	RESTRICTED TO
				A2	-
				CAGE CODE	DRAWING NO
				00779	2040540
				SCALE	SHEET
				NTS	2 of 5
				REV	B1

THIS DRAWING IS UNPUBLISHED.
 RELEASED FOR PUBLICATION
 © COPYRIGHT - By - ALL RIGHTS RESERVED.

LOC		DIST		REVISIONS			DATE	DWN	APVD
				P	LTR	DESCRIPTION			
				-	-	SEE SHEET 1	-	-	-



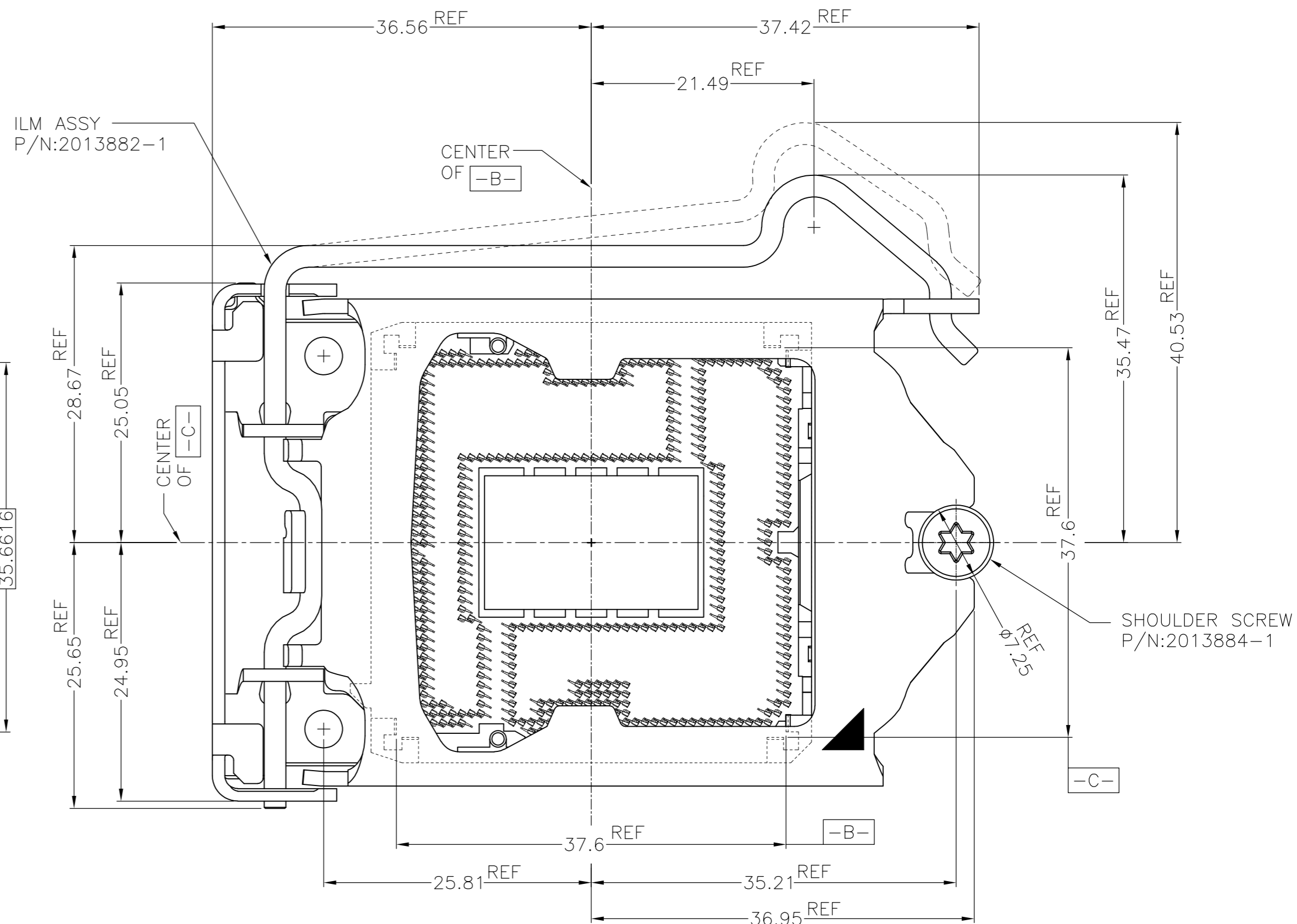
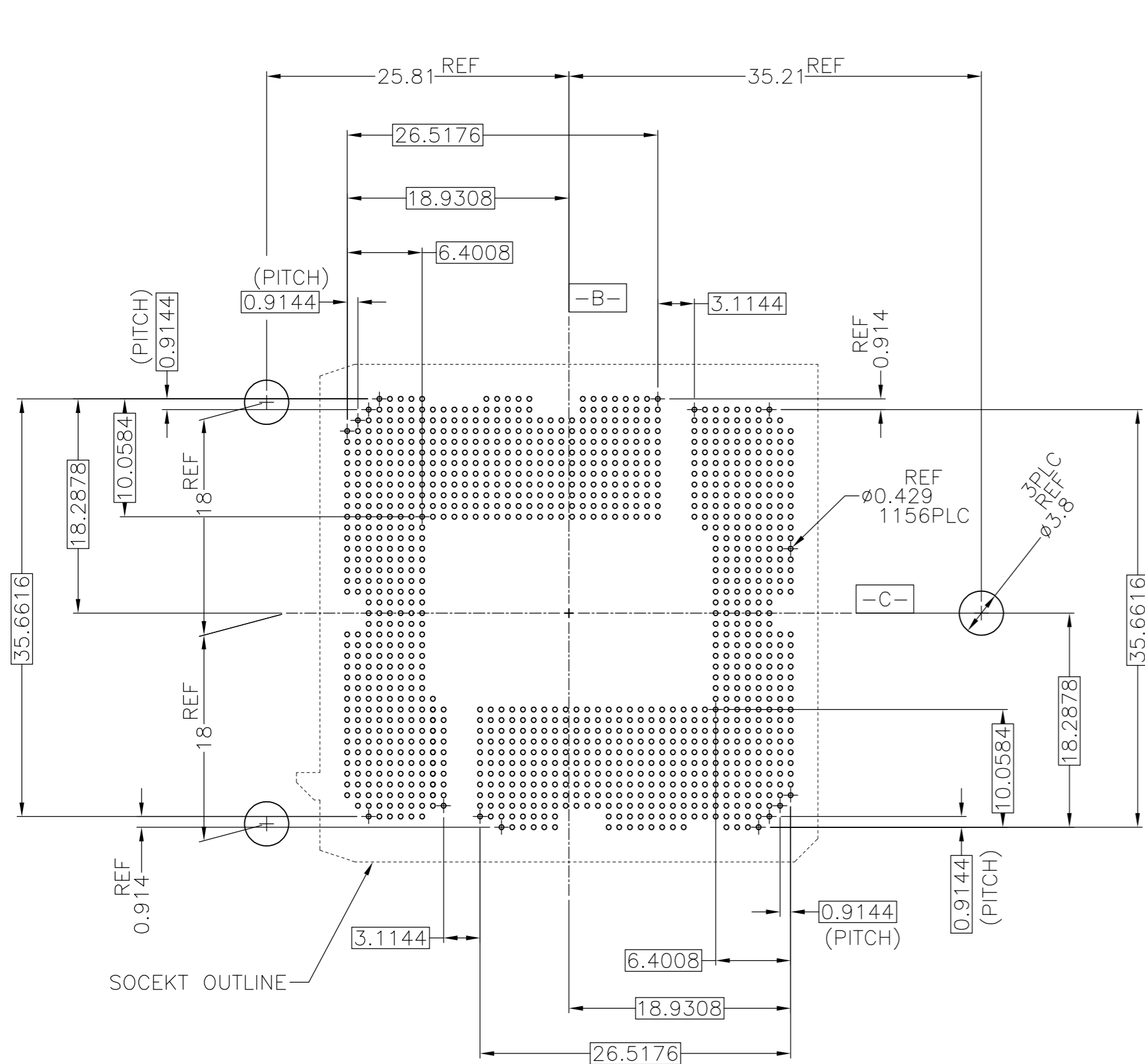
THESE VIEWS DON'T SHOW CAP

2040540-X : AS SHOWN

THIS DRAWING IS A CONTROLLED DOCUMENT.		DWN	-	TE Connectivity	
DIMENSIONS: 單位: 耗 mm		CHK	-	NAME 名稱	
TOLERANCES UNLESS OTHERWISE SPECIFIED: 一般公差		APVD	-	SOCKET ASSY	
0 PLC ± ±0.3		PRODUCT SPEC 製品規格		LGA1156	
1 PLC ± ±0.3		APPLICATION SPEC 取付適用規格		SIZE	A2
2 PLC ± ±0.3		WEIGHT		CAGE CODE	00779
3 PLC ± ±0.3		CUSTOMER DRAWING		DRAWING NO 番号	2040540
4 PLC ± ±0.3		SCALE 尺度 NTS		RESTRICTED TO	-
ANGLES ± ±0.3		SHEET		3 of 5	REV
FINISH 仕上		REVISIONS		B1	

THIS DRAWING IS UNPUBLISHED. RELEASED FOR PUBLICATION
 © COPYRIGHT - By - ALL RIGHTS RESERVED.

LOC	DIST	REVISIONS			
P	LTR	DESCRIPTION	DATE	DWN	APVD
-	-	SEE SHEET 1	-	-	-



REFERENCE PATTERN LAYOUT

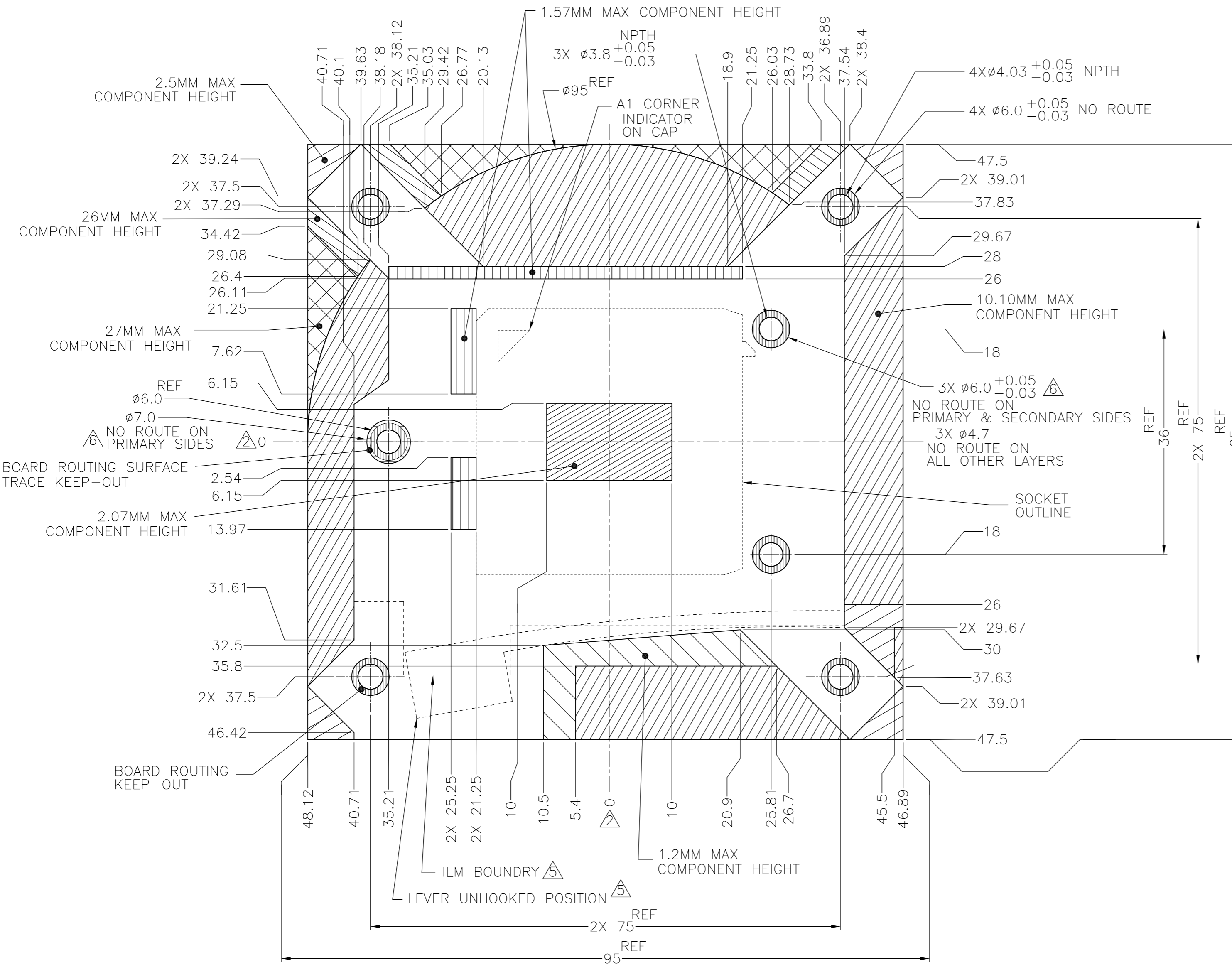
ILM ASSEMBLY OCCUPATION AREA (REFERENCE)
CAP IS NOT SHOWN ON THIS VIEW

FOR GENERAL BOARD DESIGN, PLEASE REFER TO THE THERMAL AND MECHANICAL DESIGN GUIDELINES(TMDG) PROVIDED BY INTEL CORPORATION

THIS DRAWING IS A CONTROLLED DOCUMENT.		DWN -	STE TE Connectivity	
DIMENSIONS: 單位: 耗 mm		CHK -		
TOLERANCES UNLESS OTHERWISE SPECIFIED: 一般公差		APVD -	NAME 名稱	
0-PLC ± ±0.3		PRODUCT SPEC 製品規格	SOCKET ASSY LGA1156	
1-PLC ± ±3		APPLICATION SPEC 取付適用規格	SIZE A2	CAGE CODE 00779
2-PLC ± ±3		WEIGHT -	DRAWING NO 番号 C-2040540	RESTRICTED TO -
3-PLC ± ±3		CUSTOMER DRAWING	SCALE 尺度 NTS	SHEET 4 of 5
4-PLC ± ±3				REV B1
ANGLES ±				
FINISH 仕上				

THIS DRAWING IS UNPUBLISHED. RELEASED FOR PUBLICATION
 © COPYRIGHT - By - ALL RIGHTS RESERVED.

LOC		DIST		REVISIONS			DATE	DWN	APVD
P	LTR	DESCRIPTION							
-	-	SEE SHEET 1			-	-	-	-	-



- NOTES (APPLIED TO SHEET 5 OF 5):
1. DIMENSIONS ARE IN MILLIMETERS
 2. GEOMETRIC CENTER OF SOCKET HOUSING CAVITY
 3. BOARD COMPONENT KEEP-INS AND MECHANICAL COMPONENT KEEP-OUTS TO BE UTILIZED WITH SUFFICIENT ALLOWANCES FOR PLACEMENT AND SIZE TOLERANCES, ASSEMBLY PROCESS ACCESS, AND DYNAMIC EXCURSIONS.
 4. ASSUME SYMMETRY FOR UNDIMENSIONED CORNERS AND EDGES.
- △ FOR UNDEFINED DIMENSINS, REFER TO THERMAL AND MECHANICAL DESIGN GUIDELINE PROVIDED BY INTEL CORPORATION.
- △ COPPER PAD ON PRIMARY SIDE, NON-GROUNDED. COPPER PAD CAN INSET A MAXIMUM OF 0.127MM FROM THE NO ROUTE EDGE
- △ COMBINED COMPONENT AND SOLDER PASTE HEIGHT INCLUDING TOLERANCES AFTER REFLOW.

COMPONENT KEEP-INS AND MECHANICAL COMPONENT KEEP-OUTS

FOR REFERENCE ONLY, PLEASE REFER TO THE THERMAL AND MECHANICAL DESIGN GUIDELINES(TMDG) PROVIDED BY INTEL CORPORATION

LEGEND	
	SOCKET/THERMAL/MECHANICAL COMPONENT KEEP-INS
	10.10MM MAX COMPONENT HEIGHT △
	1.57MM MAX COMPONENT HEIGHT △
	1.2MM MAX COMPONENT HEIGHT △
	BOARD ROUTING KEEP-OUT
	27MM MAX COMPONENT HEIGHT △
	BOARD ROUTING SURFACE TRACE KEEP-OUT △
	2.07MM MAX COMPONENT HEIGHT △
	2.5MM MAX COMPONENT HEIGHT △
	26MM MAX COMPONENT HEIGHT △

THIS DRAWING IS A CONTROLLED DOCUMENT.		DWN	-	TE Connectivity SOCKET ASSY LGA1156	
DIMENSIONS: 單位: 耗 mm		CHK	-		
TOLERANCES UNLESS OTHERWISE SPECIFIED: 一般公差		APVD	-	NAME	名稱
0-PLC ±		PRODUCT SPEC 製品規格		SIZE	A2
1-PLC ±		APPLICATION SPEC 取付適用規格		CAGE CODE	00779
2-PLC ±		WEIGHT		DRAWING NO 番号	C-2040540
3-PLC ±		MATERIAL 材料		RESTRICTED TO	-
4-PLC ±		FINISH 仕上		SCALE	NTS
ANGLES ±		CUSTOMER DRAWING		SHEET	5 of 5
FINISH 仕上		SCALE 尺度		REV	B1

X-ON Electronics

Largest Supplier of Electrical and Electronic Components

Click to view similar products for IC & Component Sockets category:

Click to view products by TE Connectivity manufacturer:

Other Similar products are found below :

[0066-3-17-15-30-14-02-0](#) [670](#) [672](#) [673](#) [694-13-640-00-672-000](#) [712-93-120-41-001000](#) [714-93-104-31-018000](#) [8059-4G1-LF](#) [807-22-001-10-001101](#) [807-22-001-10-006101](#) [807-22-001-30-011101](#) [807-22-001-30-012101](#) [807-22-001-30-013101](#) [807-22-001-30-014101](#) [8-1437531-4](#) [8150-6P10](#) [833-93-034-10-001000](#) [851-41-006-10-001000](#) [851-43-008-20-001000](#) [851-43-014-20-001000](#) [851-93-006-20-001000](#) [851-93-010-20-001000](#) [853-43-020-10-001000](#) [86.010.0053.0](#) [116-43-308-41-007000](#) [PX-68LCC](#) [121-13-318-41-001000](#) [121-13-320-41-001000](#) [121-13-308-41-001000](#) [123-43-314-41-801000](#) [123-43-420-41-001000](#) [123-87-320-41-001101](#) [122-13-316-41-001000](#) [123-13-624-41-001000](#) [123-43-306-41-001000](#) [12-3513-11](#) [123-91-320-41-001000](#) [126-43-310-41-002000](#) [AKSUN 37V-T](#) [1437503-9](#) [1437504-1](#) [146-44-308-41-013000](#) [APO-320-G-T](#) [146-43-308-41-012000](#) [160-10-308-00-001000](#) [160-40-320-00-001000](#) [214-99-306-01-670800](#) [232-1270-02-0602](#) [2-382761-4](#) [2-5331677-4](#)