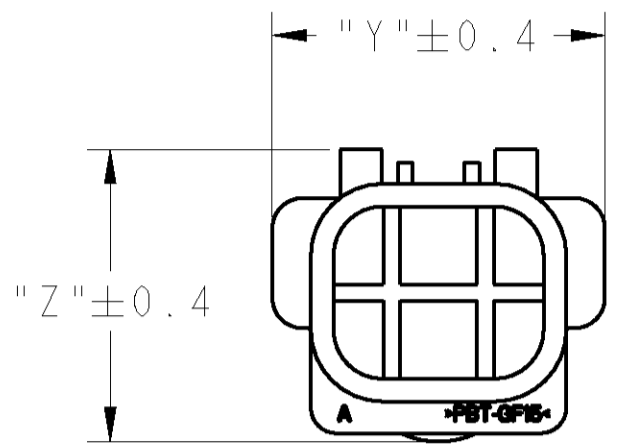
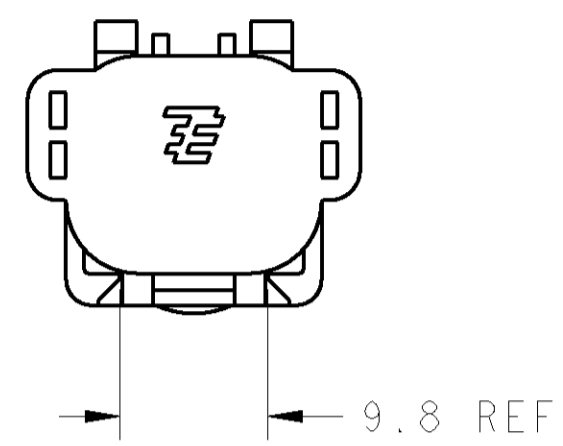
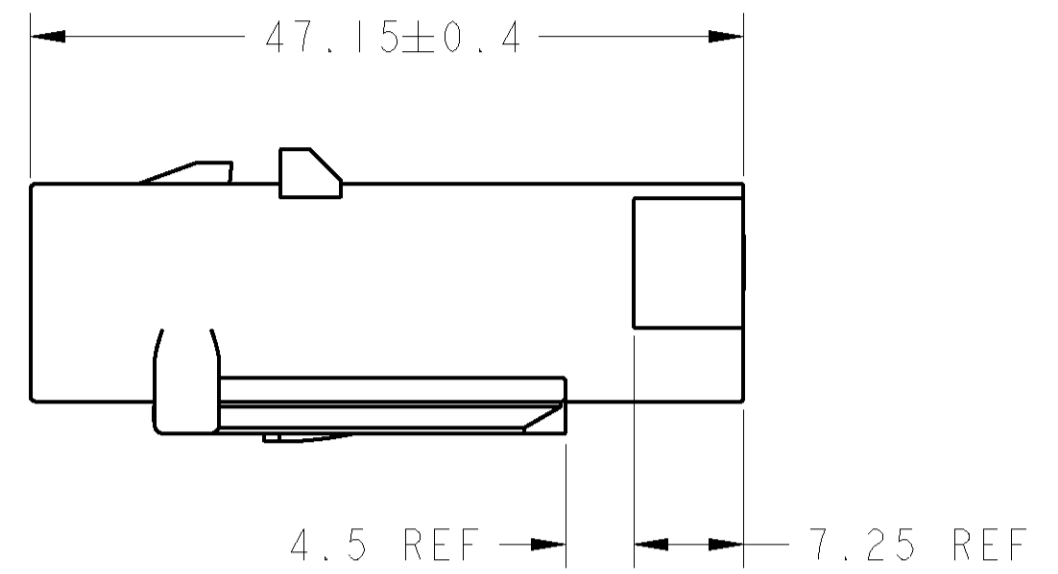


THIS DRAWING IS UNPUBLISHED. RELEASED FOR PUBLICATION 20  
 © COPYRIGHT 20 BY TYCO ELECTRONICS CORPORATION. ALL RIGHTS RESERVED.

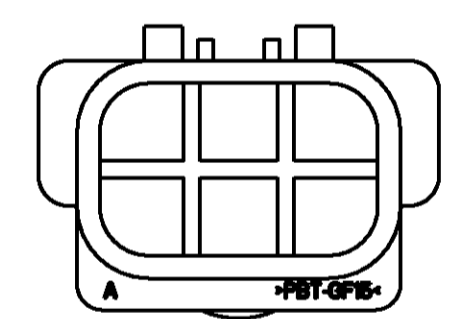
LOC	DIST	REVISIONS			
P	LTR	DESCRIPTION	DATE	DWN	APVD
J	-	A	RELEASED	07OCT2009	J.A T.K



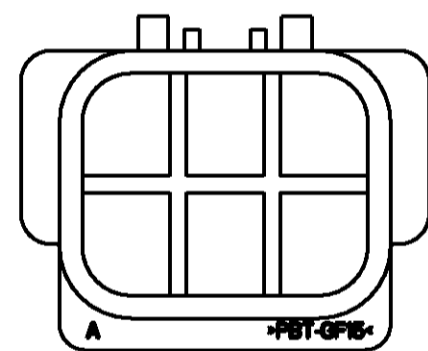
2 POS  
2040594-1  
SCALE 2:1



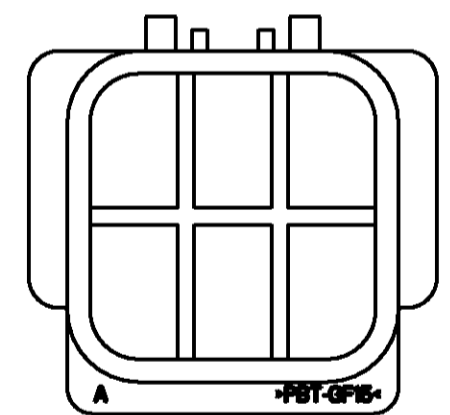
△ MATERIAL : 15% GLASS FILLED THERMOPLASTIC  
 COLOR : BLACK



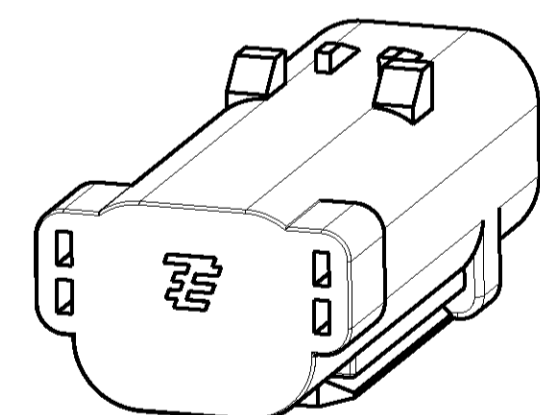
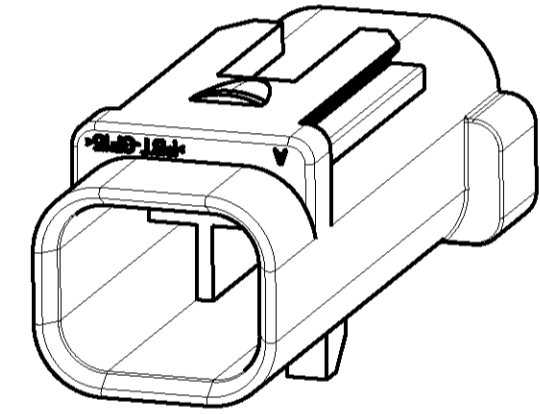
3 POS  
2040594-2  
SCALE 2:1



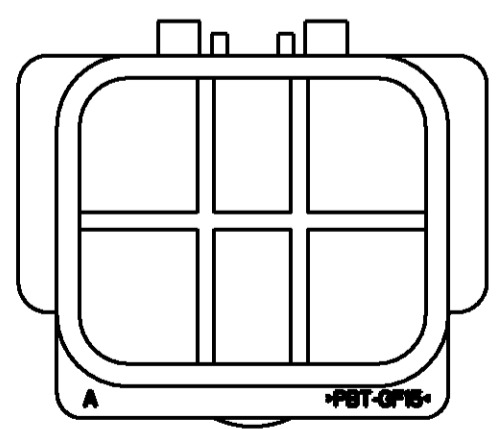
4 POS  
2040594-3  
SCALE 2:1



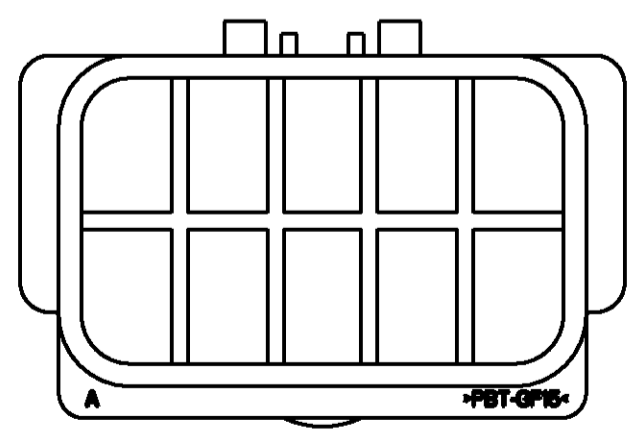
6 POS  
2040594-4  
SCALE 2:1



776533-1, -2, -3, -4	2040594-6
776437-1, -2, -3, -4	
776532-1, -2, -3, -4	2040594-5
776494-1, -2, -3, -4	
776531-1, -2, -3	2040594-4
776433-1, -2, -3	
776524-1, -2, -3, -4	2040594-3
776487-1, -2, -3, -4	
776523-1, -2, -3, -4	2040594-2
776429-1, -2, -3, -4	
776522-1, -2, -3, -4	2040594-1
776427-1, -2, -3, -4	
MATING RECEPTACLE HOUSING	PART NUMBER



8 POS  
2040594-5  
SCALE 2:1



12 POS  
2040594-6  
SCALE 2:1

26.8	40	12 POS	-6
26.8	31	8 POS	-5
26.8	27	6 POS	-4
22.6	27	4 POS	-3
19.3	26.5	3 POS	-2
19.3	22	2 POS	-1
DIM "Z"	DIM "Y"	DESCRIPTION	PART NO.

THIS DRAWING IS A CONTROLLED DOCUMENT FOR TYCO ELECTRONICS CORPORATION  
 IT IS SUBJECT TO CHANGE AND THE CONTROLLING ENGINEERING ORGANIZATION  
 SHOULD BE CONTACTED FOR THE LATEST REVISION

DIMENSIONS: 単位: 純 mm	TOLERANCES UNLESS OTHERWISE SPECIFIED: 一般公差 ± 0-PLC ± 1-PLC ± 2-PLC ± 3-PLC ± 4-PLC ± ANGLES ± FINISH 仕上	DWN J. AKASAKI 07OCT2009 CHK N. YAMASAKI 07OCT2009 APVD I. KIMURA 07OCT2009	Tyco Electronics Tyco Electronics Corporation Kawasaki, Japan
MATERIAL 材料		PRODUCT SPEC 108-78716 APPLICATION SPEC 取付適用規格	NAME SEAL CAP HOUSING AMPSEAL 16 SEAL CAP
		WEIGHT -	SIZE A200779
		CUSTOMER DRAWING	DRAWING NO C-2040594
			RESTRICTED TO -
			SCALE 2:1 SHEET 1 OF 1 REV A

## X-ON Electronics

Largest Supplier of Electrical and Electronic Components

*Click to view similar products for [Automotive Connectors](#) category:*

*Click to view products by [TE Connectivity](#) manufacturer:*

Other Similar products are found below :

[003-018-000](#) [60403001](#) [60993906-B](#) [M902-2131](#) [M902-2161](#) [M902-2344](#) [72.330.1035.1](#) [73.353.4028.0](#) [F119300-B](#) [F166900](#) [F258300-B](#)  
[F358300-B](#) [F407400](#) [F444110](#) [F487000](#) [F509500B-B](#) [827153-1](#) [8N1515-32-24P](#) [9-1326729-8](#) [925474-1](#) [928905-1](#) [964562-4](#) [968782-1](#)  
[GT17SA-8DS-HU](#) [98891-1012](#) [98947-1016](#) [12004147](#) [12004475-L](#) [12010290](#) [12010309-B](#) [12015454](#) [12020219-B](#) [12041318-B](#) [12052225-](#)  
[L](#) [12052466](#) [12064869](#) [12004327-B](#) [12015308](#) [12015384](#) [12015909](#) [1-21030-1](#) [12041254](#) [12041318](#) [12047946-B](#) [12047957](#) [12047957-L](#)  
[12059473](#) [12066261](#) [12110546](#) [12110546-B](#)