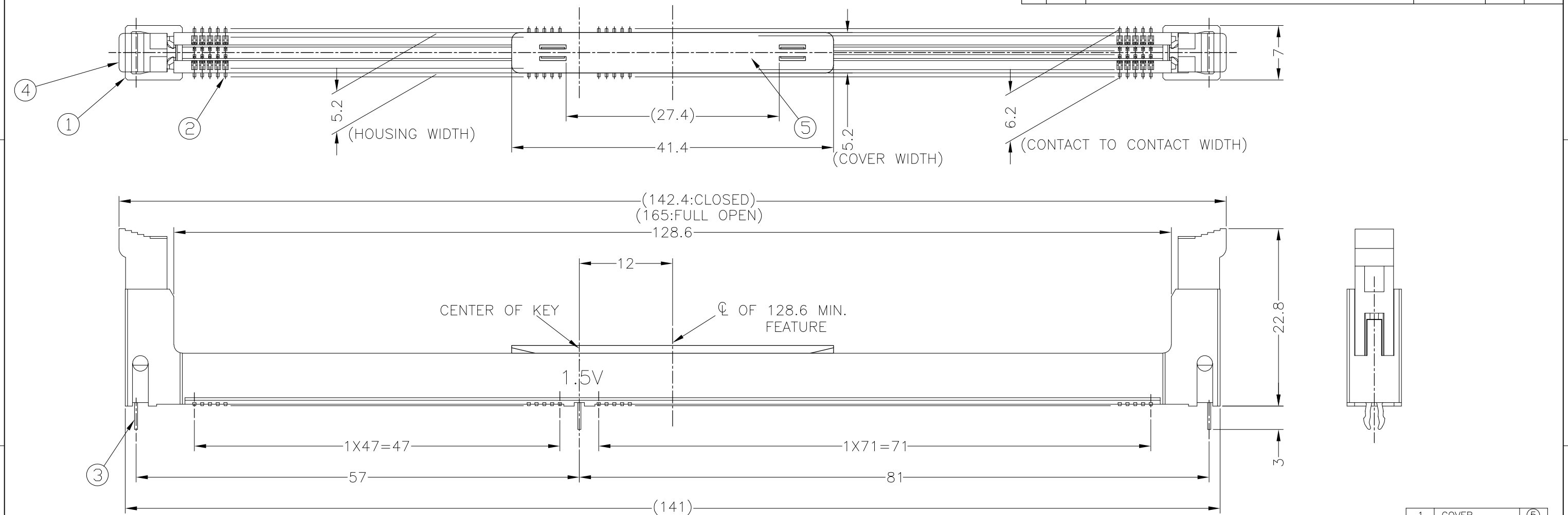


THIS DRAWING IS UNPUBLISHED. RELEASED FOR PUBLICATION
 © COPYRIGHT - By Tyco Electronics Japan G.K. ALL RIGHTS RESERVED.

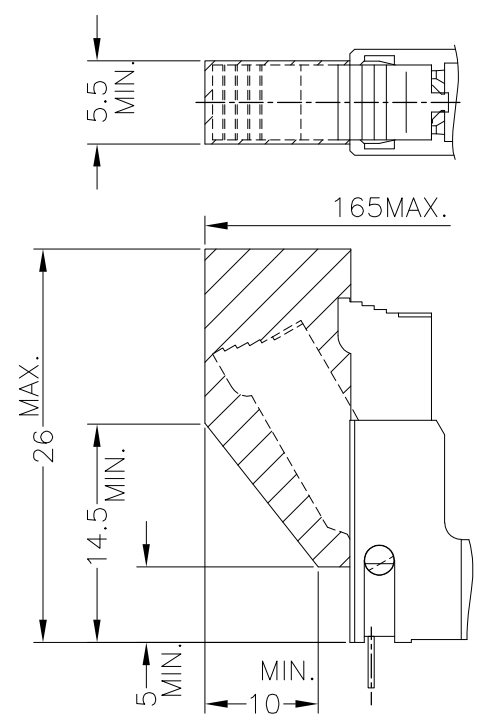
LOC	DIST	REVISIONS 変更					
J	/	P	LTR	DESCRIPTION	DATE	DWN	APVD
		D		REVISED	01MAR2011	K.M	E.T
		E		ECR-13-009631	17JUN2013	R.M	C.W



1	COVER	⑤
2	EXTRACTOR	④
3	LEG	③
240	CONTACT	②
1	HOUSING	①
QTY	NAME	ITEM

- MATERIAL**
 HOUSING : THERMOPLASTIC, UL94V-0,
 CONTACT : COPPER ALLOY
 LEG : COPPER ALLOY
 EXTRACTOR : THERMOPLASTIC, UL94V-0
 COVER : THERMOPLASTIC, UL94V-0, MILK-WHITE
- FINISH**
 CONTACT : SEE TABLE
 SOLDER PEG : TIN PL., Ni UNDER PL. ALL OVER
- GENERAL TOLERANCES** : 10 ≥ : ±0.2
 >10 : ±0.3
 ANGLES : ±3°
- CONFORMS TO THE REQUIREMENTS OF**
 EIA/ECA-364-1000.01A (CONTROLLED ENVIRONMENT APPLICATIONS,
 AND TE PRODUCT SPECIFICATION 108-78570.

	BLACK	NATURAL	Au PL. 0.00076mm MIN. ON CONTACT AREA TIN PL. ON SOLDERING AREA Ni UNDER PL. 0.00127mm ALL OVER	2040727-7
(E)	OBSOLETE	BLACK	Au PL. 0.00076mm MIN. ON CONTACT AREA TIN PL. ON SOLDERING AREA Ni UNDER PL. 0.00127mm ALL OVER	2040727-6
(E)	OBSOLETE	NATURAL	Au PL. 0.00076mm MIN. ON CONTACT AREA TIN PL. ON SOLDERING AREA Ni UNDER PL. 0.00127mm ALL OVER	2040727-5
(E)	OBSOLETE	BLACK	Au PL. 0.00038mm MIN. ON CONTACT AREA TIN PL. ON SOLDERING AREA Ni UNDER PL. 0.00127mm ALL OVER	2040727-4
	BLACK	NATURAL	Au PL. 0.00005mm MIN. WITH Pd-Ni 0.00076mm MIN. ON CONTACT AREA TIN PL. ON SOLDERING AREA Ni UNDER PL. 0.002mm ALL OVER	2040727-1
	HOUSING COLOR	EXTRACTOR COLOR	CONTACT FINISH	PART NUMBER



KEEP OUT AREA RESERVED FOR EXTRACTORS
 (HATCHING AREA, 2 PLC TYP.)

THIS DRAWING IS A CONTROLLED DOCUMENT.		DWN T.KAWAMAE 22AUG08	TE Connectivity	
DIMENSIONS: 単位: 耗 mm		CHK K.IKEGAMI 22AUG08		
TOLERANCES UNLESS OTHERWISE SPECIFIED: 一般公差		APVD K.IKEGAMI 22AUG08	NAME 名称	
0 PLC ± - 1 PLC ± - 2 PLC ± - 3 PLC ± - 4 PLC ± - ANGLES ± -		PRODUCT SPEC 製品規格 108-78570	SOCKET ASSEMBLY DDR-III, SMT, 240P	
MATERIAL 材料 SEE NOTE		APPLICATION SPEC 取付適用規格	SIZE A3	RESTRICTED TO
FINISH 仕上 SEE NOTE		WEIGHT 6.4g	CAGE CODE 00779	REV E
		CUSTOMER DRAWING	DRAWING NO C-2040727	
			SCALE 尺度 2:1	SHEET 1 OF 4

THIS DRAWING IS UNPUBLISHED.

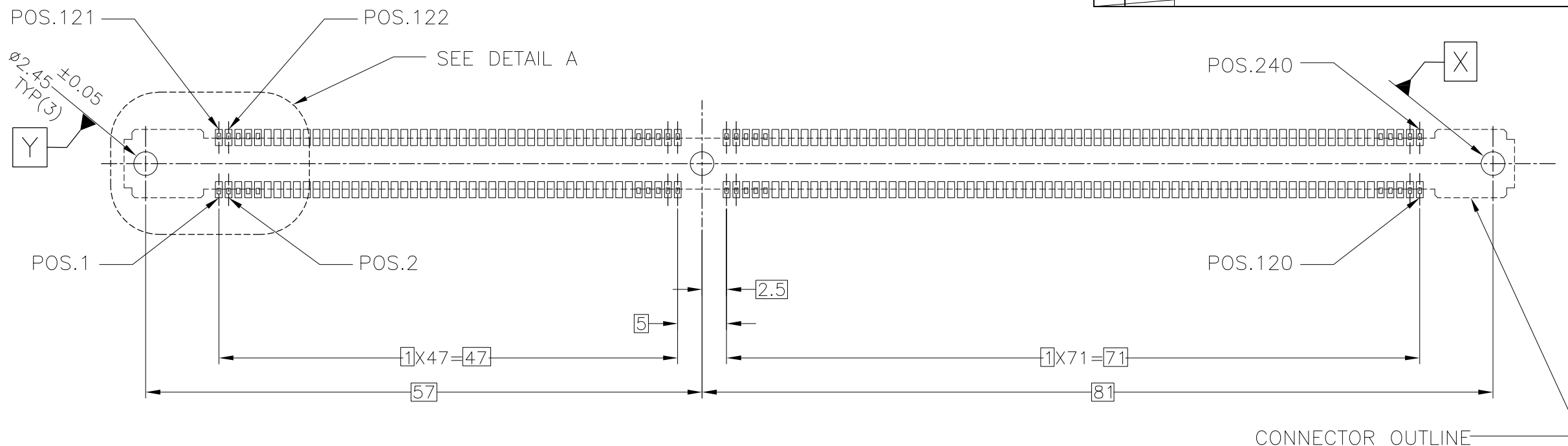
RELEASED FOR PUBLICATION

© COPYRIGHT - By Tyco Electronics Japan G.K.

ALL RIGHTS RESERVED.

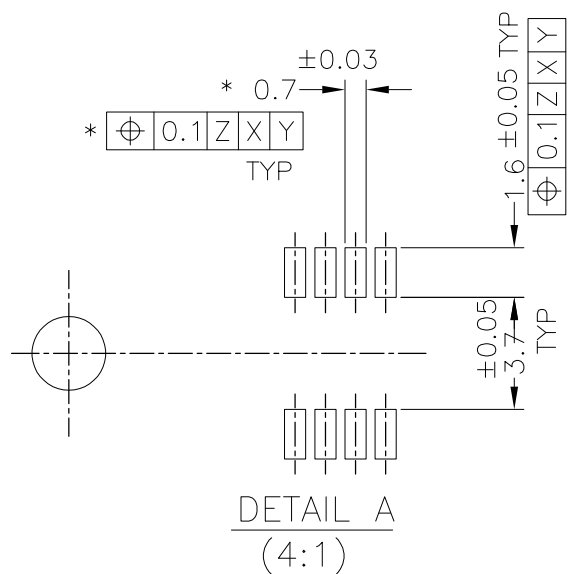
LOC	DIST
J	

REVISIONS			DATE	DWN	APVD
P	LTR	DESCRIPTION			
-	-	SEE SHEET 1	-	-	-



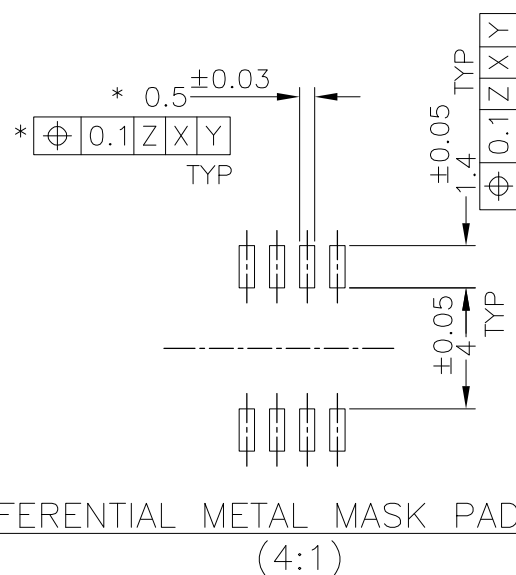
REFERENCE PCB LAYOUT
(VIEWED FROM CONNECTOR SIDE)

[Z] : PCB SURFACE



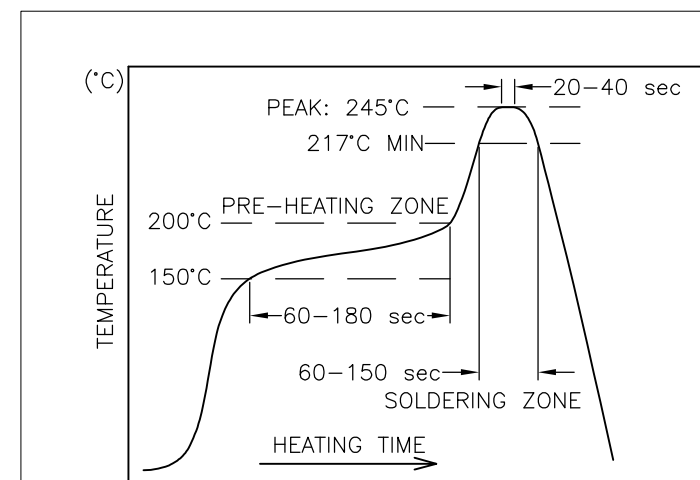
DETAIL A
(4:1)

*: TOLERANCE; NON-CUMMIRATIVE



REFERENTIAL METAL MASK PAD OPENING
(4:1)

*: TOLERANCE; NON-CUMMIRATIVE



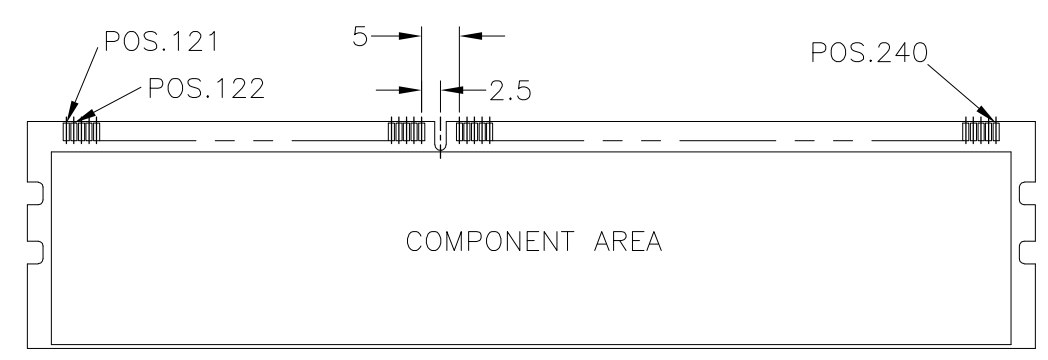
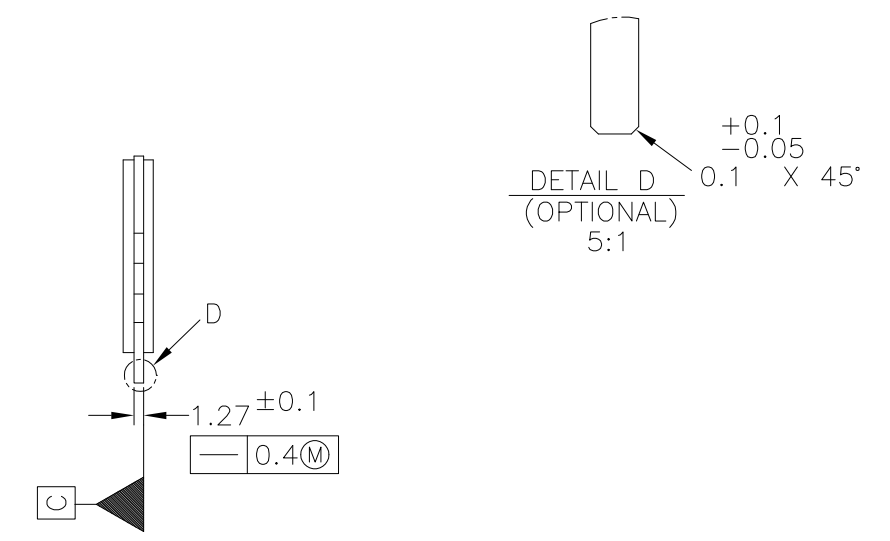
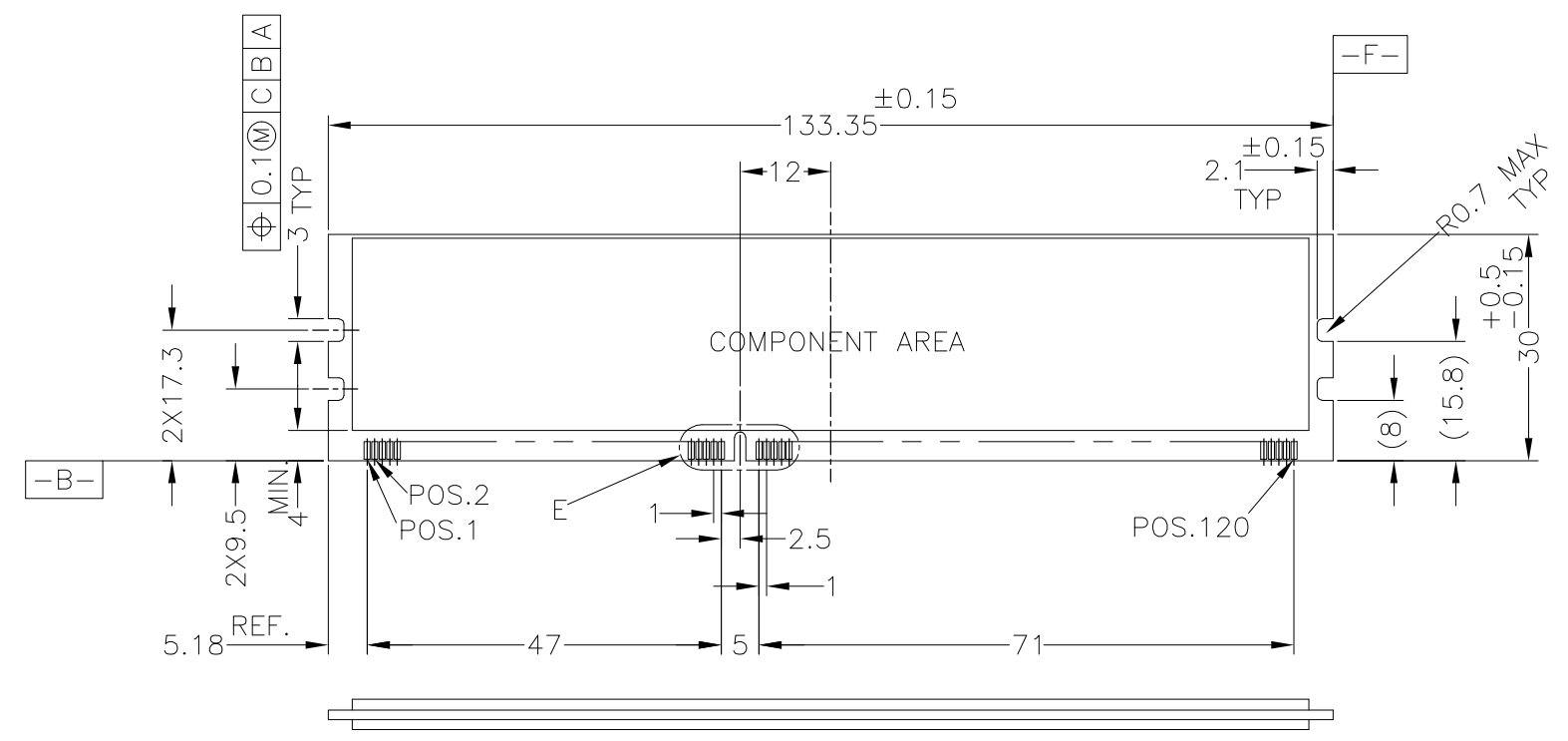
REFERENTIAL REFLOW TEMPERATURE PROFILE
(BASED ON IPC/JEDEC J-STD-020C)

RECOMMENDED PC BOARD X/Y CTE. 10-14 [ppm/DEGREE CELSIUS]
PLEASE VERIFY CTE MATCHING BEFORE USING THE SOCKETS.
FOR ANY INQUIRY. PLEASE CONTACT TYCO ELECTRONICS.

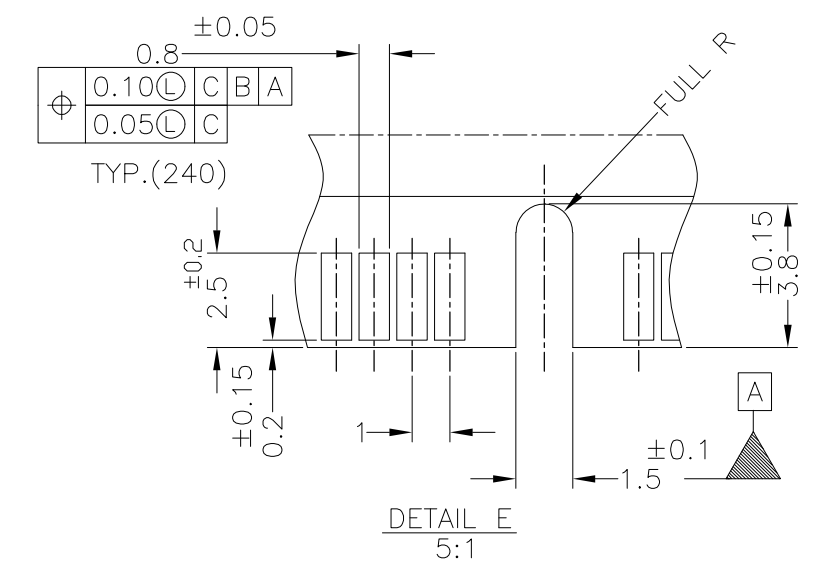
THIS DRAWING IS A CONTROLLED DOCUMENT.		DWN	TE Connectivity		
DIMENSIONS: 単位: 耗 mm		CHK	NAME 名称		
TOLERANCES UNLESS OTHERWISE SPECIFIED: 一般公差		APVD	SOCKET ASSEMBLY DDR-III, SMT, 240P		
0 PLC ± - 1 PLC ± - 2 PLC ± - 3 PLC ± - 4 PLC ± - ANGLES ± -		PRODUCT SPEC 製品規格	SIZE	CAGE CODE	DRAWING NO 番号
MATERIAL 材料	FINISH 仕上	APPLICATION SPEC 取付適用規格	A3	00779	C-2040727
WEIGHT		RESTRICTED TO	SCALE 尺度 2:1		
CUSTOMER DRAWING		SHEET 2 of 4		REV E	

THIS DRAWING IS UNPUBLISHED. RELEASED FOR PUBLICATION
 © COPYRIGHT - By Tyco Electronics Japan G.K. ALL RIGHTS RESERVED.

LOC	DIST	REVISIONS					
J	/	P	LTR	DESCRIPTION	DATE	DWN	APVD
		-		SEE SHEET 1	-	-	-



REFERENCE DIMM PCB LAYOUT



RECOMMENDED PLATING FOR CONTACT PADS ARE:

- 1) PREFERABLE PLATING : ELECTROLYTIC GOLD PLATING 0.76 MICROMETERS MINIMUM OVER ELECTROLYTIC NICKEL 2.00 MICROMETERS MINIMUM.
- 2) ALTERNATIVE PLATING : GOLD PLATING 0.05-0.75 MICROMETERS OVER NICKEL 2.00 MICROMETERS MINIMUM MUST USE AN ELECTRONIC CONTACT GRADE CORROSIVE BARRIER LUBRICANT.

THIS DRAWING IS A CONTROLLED DOCUMENT.		DWN	TE Connectivity NAME 名称 SOCKET ASSEMBLY DDR-III, SMT, 240P				
DIMENSIONS: 单位: 耗 mm		CHK					
TOLERANCES UNLESS OTHERWISE SPECIFIED: 一般公差		APVD					
0 PLC ± - 1 PLC ± - 2 PLC ± - 3 PLC ± - 4 PLC ± - ANGLES ± -		PRODUCT SPEC 製品規格					
MATERIAL 材料		FINISH 仕上	APPLICATION SPEC 取付適用規格	SIZE	CAGE CODE	DRAWING NO 番号	RESTRICTED TO
			WEIGHT	A3	00779	G-2040727	
CUSTOMER DRAWING			SCALE 尺度	1:1	SHEET	3 OF 4	REV E

THIS DRAWING IS UNPUBLISHED.

RELEASED FOR PUBLICATION

ALL RIGHTS RESERVED.

© COPYRIGHT - By Tyco Electronics Japan G.K.

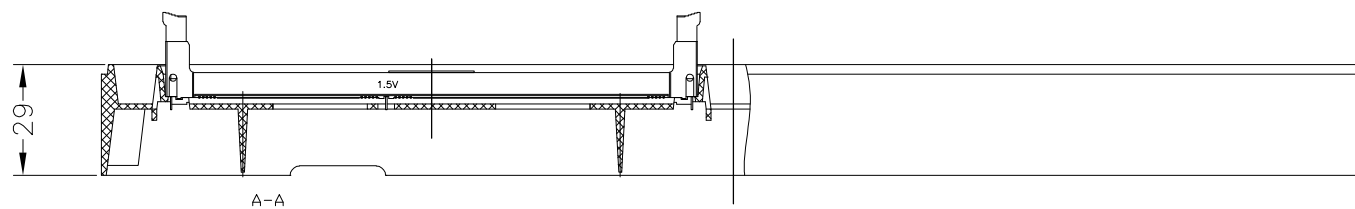
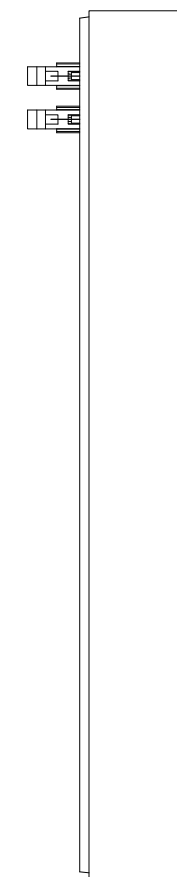
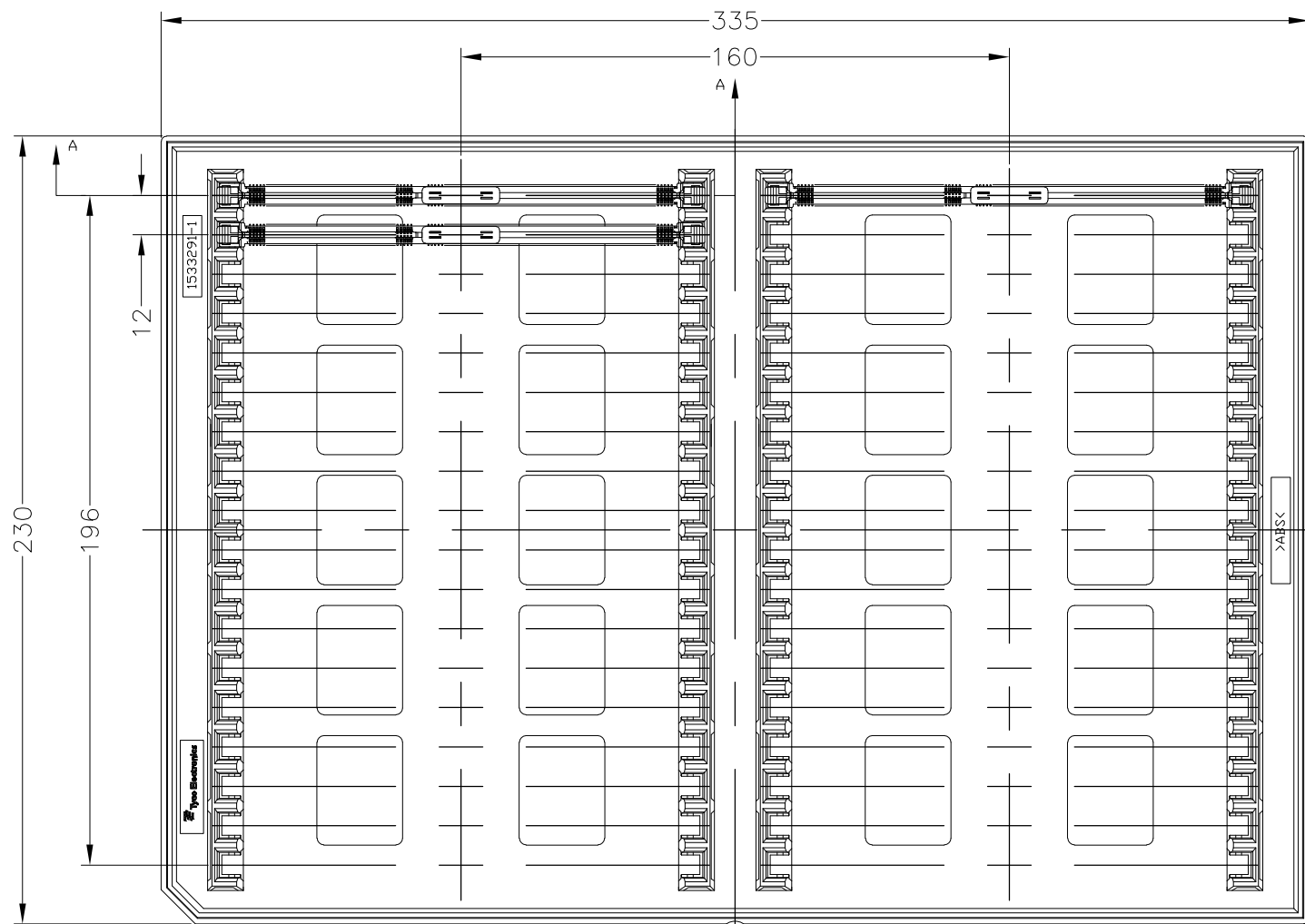
LOC J

DIST

REVISIONS

変更

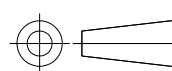
P	LTR	DESCRIPTION	DATE	DWN	APVD
-	-	SEE SHEET 1	-	-	-



QTY: 36EA/TRAY

THIS DRAWING IS A CONTROLLED DOCUMENT.

DIMENSIONS:
単位: 耗
mm



TOLERANCES UNLESS
OTHERWISE SPECIFIED:
一般公差

- 0 PLC ± -
- 1 PLC ± -
- 2 PLC ± -
- 3 PLC ± -
- 4 PLC ± -
- ANGLES ± -

MATERIAL
材料

FINISH
仕上

DWN	-
CHK	-
APVD	-
PRODUCT SPEC 製品規格	-
APPLICATION SPEC 取付適用規格	-
WEIGHT	-



NAME 名称		SOCKET ASSEMBLY DDR-II, SMT, 240P		RESTRICTED TO -
SIZE	CAGE CODE	DRAWING NO 番号		
A3	00779	C-2040727		

CUSTOMER DRAWING

SCALE
尺度 NTS

SHEET
4 of 4

REV
E

X-ON Electronics

Largest Supplier of Electrical and Electronic Components

Click to view similar products for [DIMM Connectors](#) category:

Click to view products by [TE Connectivity](#) manufacturer:

Other Similar products are found below :

[1-1932649-2](#) [1-1761024-0](#) [2309411-5](#) [296409204002856+](#) [10116658-252ASLF](#) [5390471-1](#) [2309413-3](#) [78507-0061](#) [KIT-SODIMM-1X16GB/01](#) [10129206-0010013LF](#) [10086891-052TSLF](#) [10079192-11102LF](#) [10116658-152FSLF](#) [10129206-0011113LF](#) [1-2308107-0](#) [2013310-1](#) [2013289-1](#) [390111-1](#) [390112-1](#) [2309413-1](#) [2309407-1](#) [2309414-1](#) [10081530-12208LF](#) [151080-0001](#) [78726-1004](#) [10005639-11107LF](#) [10005639-11109LF](#) [10005639-12207LF](#) [10023061-10207LF](#) [10033853-252FSLF](#) [10033853-052ASLF](#) [10033853-052FSLF](#) [10033853-152FSLF](#) [10033854-052FSLF](#) [10034542-10002LF](#) [10037402-12207LF](#) [10081530-11107LF](#) [10081530-12207LF](#) [10081530-12218LF](#) [10081530-12228LF](#) [10124632-0030001LF](#) [10124806-01006LF](#) [10145226-0241N13LF](#) [59354-052FSLF](#) [59355-052FSLF](#) [DDR4288S0211TF](#) [DDR4288S0511H](#) [DDR4288S0511TF](#) [DDR4288V0123TF](#) [DDR4288V0213TF](#)