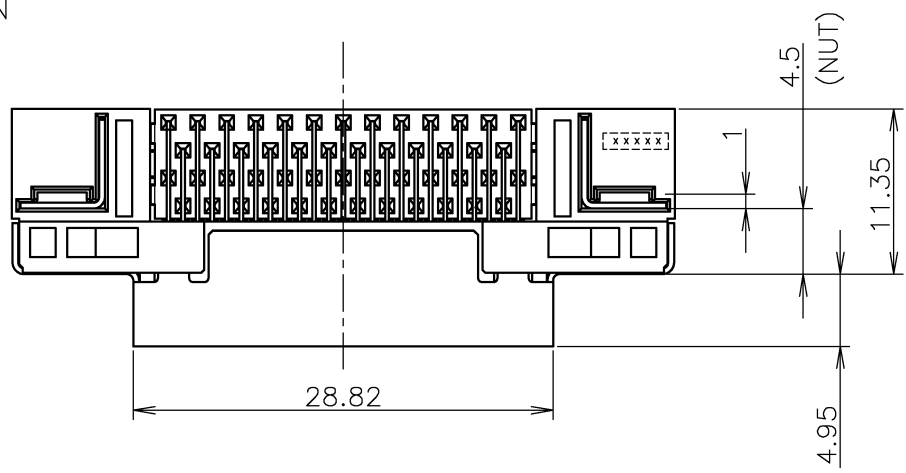


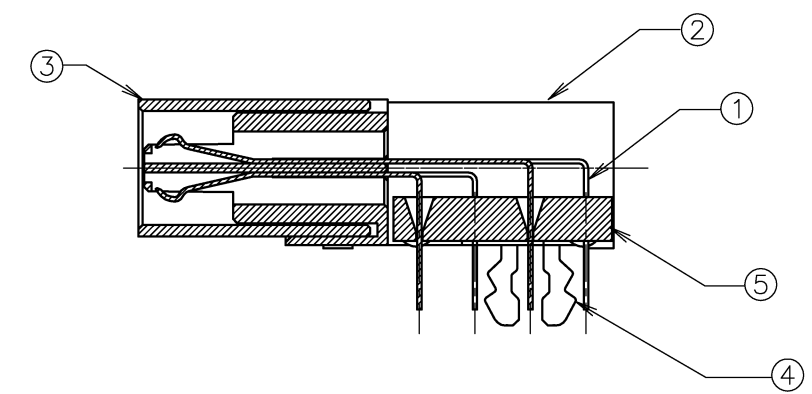
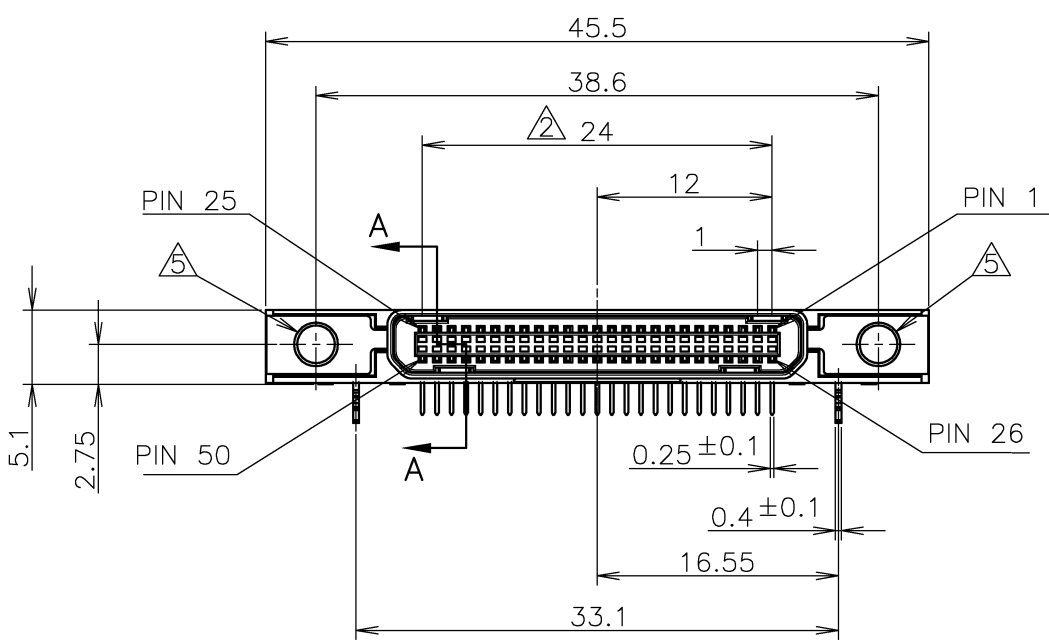
LOC	DIST	REVISIONS					
J		P	LTR	DESCRIPTION	DATE	DWN	APVD
		B		REVISED ECR-10-011333	27MAY2010	Y.W	S.K

-1; AS SHOWN

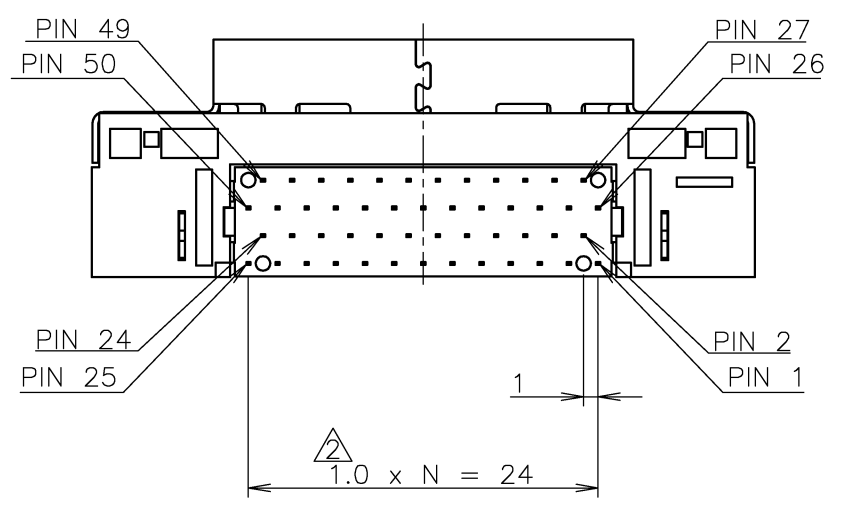


- 1 推奨基板厚: 1.6mm
- 2 非累積公差
- 3 非付属品
- 4 仕上げ  
 コントクト: 全面ニッケル下地 1.3μm 以上  
 接点部 金フラッシュめっき 0.05μm 以上  
 半田付け部 錫めっき 2μm 以上
- 5 ねじ締め付けトルク: 0.3N・m以下  
 適用ねじ: M2.6, JIS規格品

- 1 RECOMMENDED P.C BOARD THICKNESS; 1.6mm
- 2 NON CUMULATIVE
- 3 NOT INCLUDED IN THIS CONNECTOR
- 4 CONTACT; Ni UNDER PLATING ALL OVER  
 1.3um MIN.  
 Au PLATING ON CONTACT AREA  
 0.05um MIN.  
 Sn PLATING ON SOLDERING AREA  
 2um MIN.
- 5 SCREW FIXING TORQUE: 0.3N・m MAX.  
 APPLICATION SCREW: M2.6, BASED ON JIS STANDARD.



A-A  
SCALE 4:1



QTY	仕上/ FINISH	材料/MATERIAL	名称/NAME	ITEM
1	COLOR: BLACK 色: 黒	HIGH TEMP, THERMO PLASTIC, UL94V-0 熱可塑性樹脂 UL94V-0	TINE PLATE タインプレート	5
2	TIN PLATE OVER NICKEL UNDER PLATE 銅下地めっき上にすずめっき	COPPER ALLOY 銅合金	SOLDER LEG ソルダーレグ	4
1	TIN PLATE OVER NICKEL UNDER PLATE 銅下地めっき上にすずめっき	COPPER ALLOY 銅合金	SHELL シェル	3
1	COLOR: BLACK 色: 黒	HIGH TEMP, THERMO PLASTIC, UL94V-0 熱可塑性樹脂 UL94V-0	HOUSING ハウジング	2
50	SOLDER TINE AREA; TIN PLATE, CONTACT AREA; Au PLATE NICKEL UNDER PLATE ALL OVER タイン部: すずめっき、接触部: 金めっき 全面ニッケル下地めっき	COPPER ALLOY 銅合金	CONTACT コンタクト	1

GENERAL TOLERANCE  
一般公差

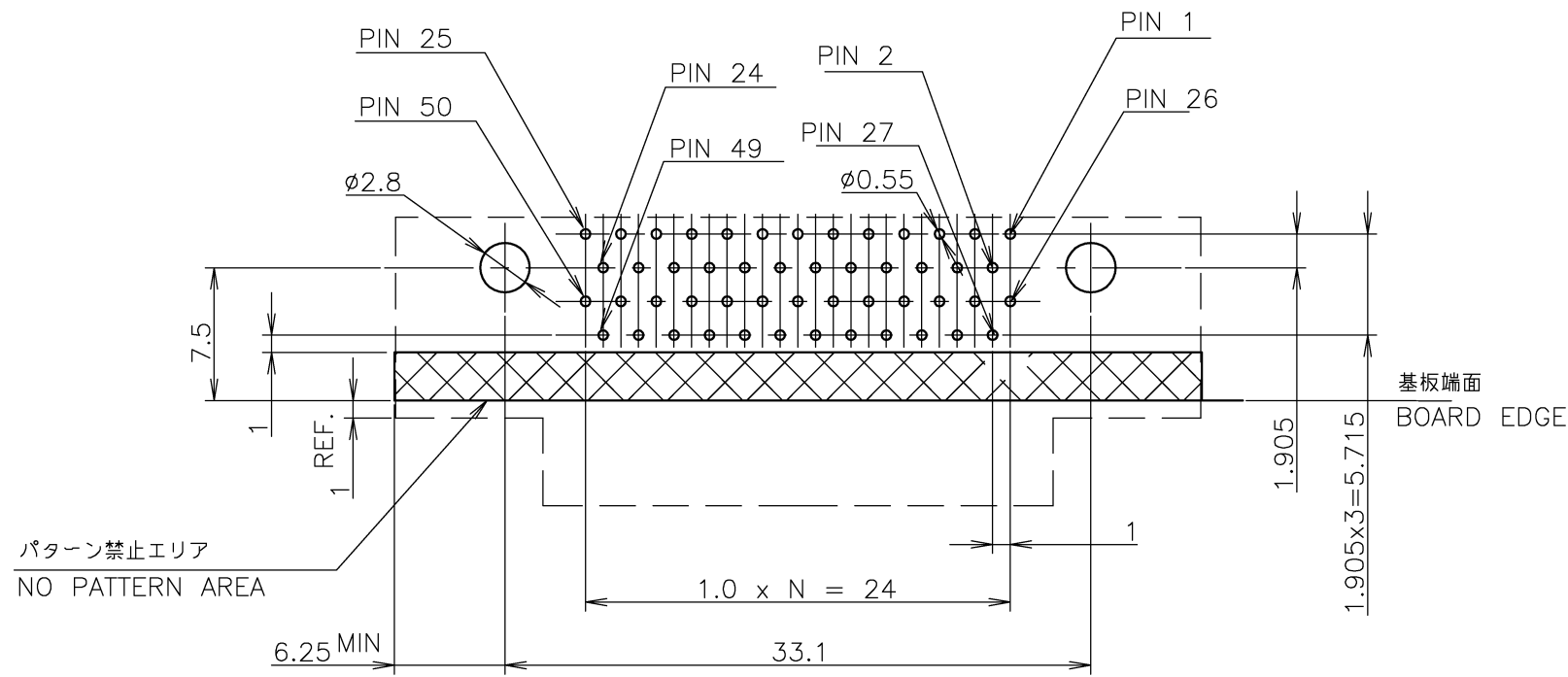
10 ≥	±0.25
30 ≥ > 10	±0.3
100 ≥ > 30	±0.4
ANGLES:	±3°

THIS DRAWING IS A CONTROLLED DOCUMENT.

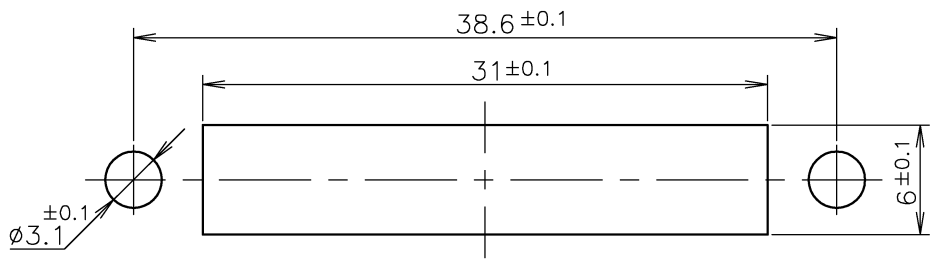
DWN T.WATANABE 24APR2009	Tyco Electronics Corporation Kawasaki, Japan
CHK I.IGARASHI 24APR2009	
APVD S.KAJINUMA 24APR2009	NAME 1MM WIRE TO BOARD EXTERNAL CONNECTOR RECEPTACLE 50 POSITIONS
DIMENSIONS: 単位: 精 mm	PRODUCT SPEC 製品規格
TOLERANCES UNLESS OTHERWISE SPECIFIED: 一般公差	APPLICATION SPEC 取付適用規格
0 PLC ±-	SIZE A3
1 PLC ±-	CAGE CODE 00779
2 PLC ±-	DRAWING NO G=2040800
3 PLC ±-	RESTRICTED TO
4 PLC ±-	SCALE 尺度 2:1
ANGLES ±-	SHEET 1 of 3
MATERIAL 材料	FINISH 仕上
WEIGHT	REV B

CUSTOMER DRAWING

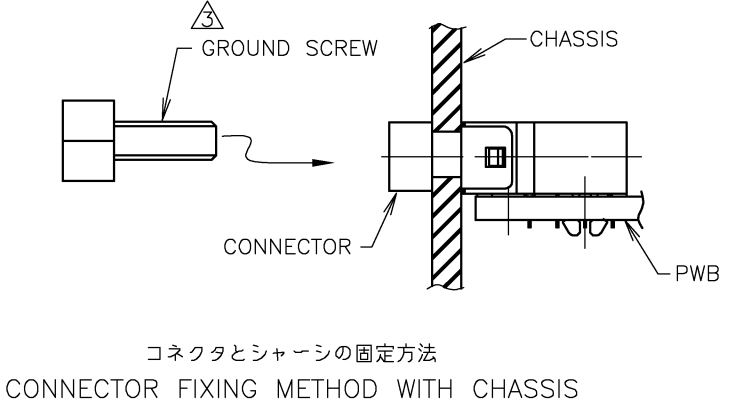
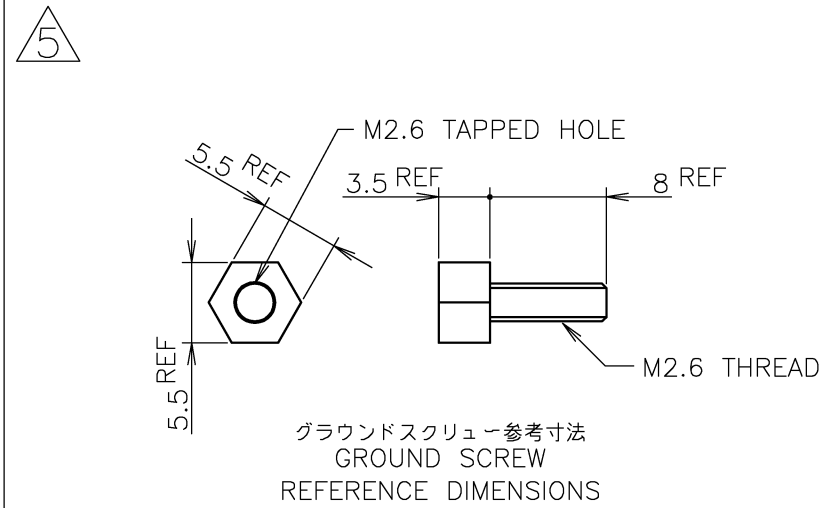
LOC	DIST	REVISIONS					
J		P	LTR	DESCRIPTION	DATE	DWN	APVD
		-	-	SEE SHEET 1	-	-	-



推奨パターンレイアウト (コネクタ取付面)  
 RECOMMENDED PWB LAYOUT (COMPONENT SIDE)  
 一般公差 : ±0.05  
 GENERAL TOLERANCE : ±0.05



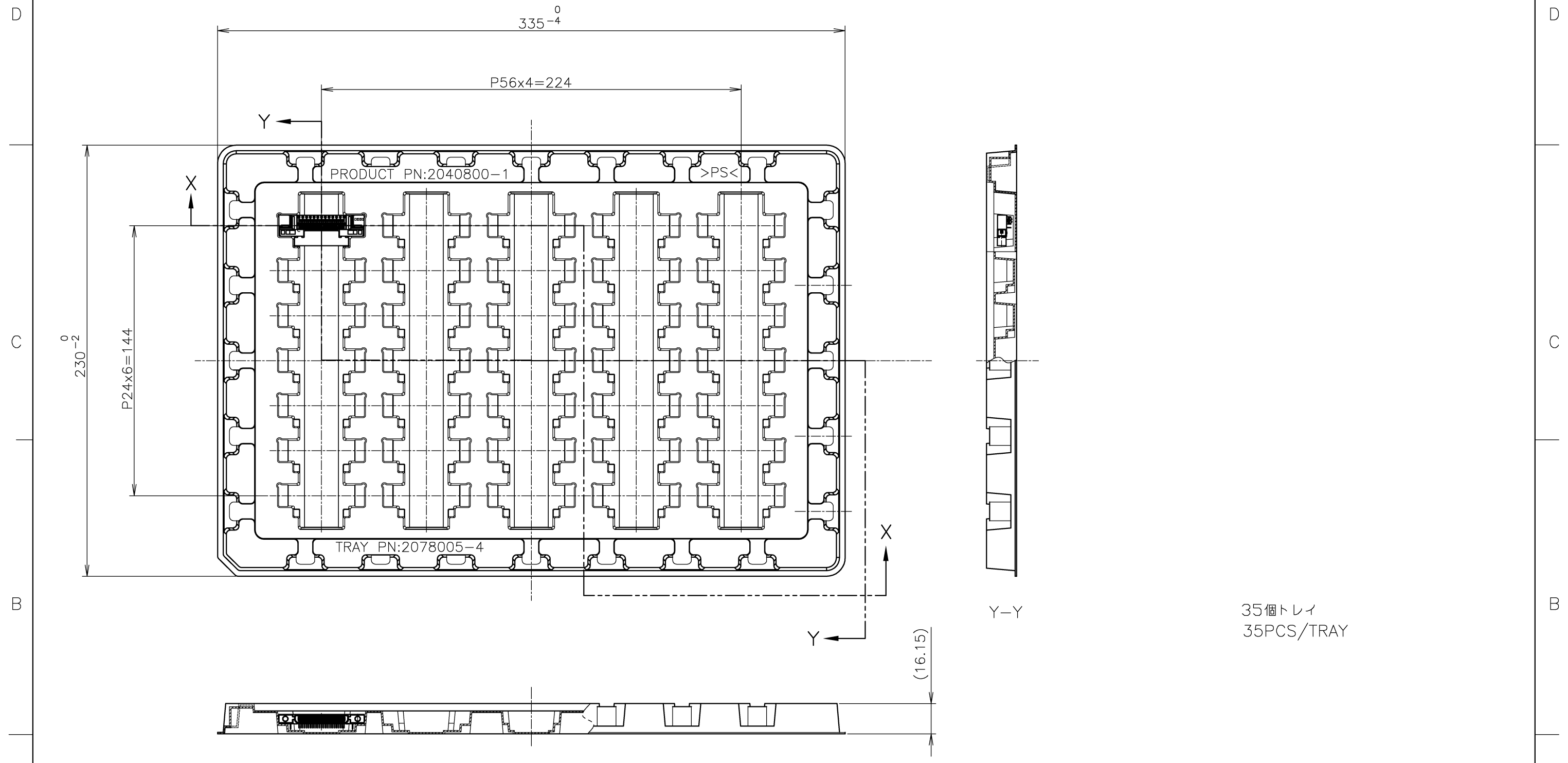
パネルカット寸法  
 REFERENCE PANEL CUTOUT  
 (厚さ1.6mm最大)  
 (THK, 1.6mm MAX)



THIS DRAWING IS A CONTROLLED DOCUMENT.		DWN		Tyco Electronics Corporation Kawasaki, Japan																									
DIMENSIONS: 単位: 精 mm		TOLERANCES UNLESS OTHERWISE SPECIFIED: 一般公差		NAME 名称																									
<table border="1"> <tr><td>0</td><td>PLC</td><td>±</td><td>-</td></tr> <tr><td>1</td><td>PLC</td><td>±</td><td>-</td></tr> <tr><td>2</td><td>PLC</td><td>±</td><td>-</td></tr> <tr><td>3</td><td>PLC</td><td>±</td><td>-</td></tr> <tr><td>4</td><td>PLC</td><td>±</td><td>-</td></tr> <tr><td>ANGLES</td><td></td><td>±</td><td>-</td></tr> </table>		0	PLC	±	-	1	PLC	±	-	2	PLC	±	-	3	PLC	±	-	4	PLC	±	-	ANGLES		±	-	APVD		1MM WIRE TO BOARD EXTERNAL CONNECTOR RECEPTACLE 50 POSITIONS	
0	PLC	±	-																										
1	PLC	±	-																										
2	PLC	±	-																										
3	PLC	±	-																										
4	PLC	±	-																										
ANGLES		±	-																										
MATERIAL 材料		FINISH 仕上		PRODUCT SPEC 製品規格																									
				APPLICATION SPEC 取付適用規格																									
				WEIGHT																									
		CUSTOMER DRAWING		SIZE CAGE CODE DRAWING NO A3 00779 C-2040800																									
				RESTRICTED TO																									
				SCALE 尺度 NTS SHEET 2 of 3 REV B																									

THIS DRAWING IS UNPUBLISHED. RELEASED FOR PUBLICATION APR , 2009.  
 © COPYRIGHT 2009 BY TYCO ELECTRONICS CORPORATION. ALL INTERNATIONAL RIGHTS RESERVED.

LOC	DIST	REVISIONS 変更			
P	LTR	DESCRIPTION	DATE	DWN	APVD
J	/	SEE SHEET 1	-	-	-



35個トレイ  
35PCS/TRAY

GENERAL TOLERANCE  
一般公差

10 ≥ : ±1
30 ≥ > 10: ±1
100 ≥ > 30: ±1
ANGLES: ±5°

THIS DRAWING IS A CONTROLLED DOCUMENT.		DWN		Tyco Electronics Corporation Kawasaki, Japan													
DIMENSIONS: 単位: 精 mm		TOLERANCES UNLESS OTHERWISE SPECIFIED: 一般公差		NAME 名称 1MM WIRE TO BOARD EXTERNAL CONNECTOR RECEPTACLE 50 POSITIONS													
<table border="1"> <tr><td>0 PLC</td><td>±-</td></tr> <tr><td>1 PLC</td><td>±-</td></tr> <tr><td>2 PLC</td><td>±-</td></tr> <tr><td>3 PLC</td><td>±-</td></tr> <tr><td>4 PLC</td><td>±-</td></tr> <tr><td>ANGLES</td><td>±-</td></tr> </table>		0 PLC	±-	1 PLC	±-	2 PLC	±-	3 PLC	±-	4 PLC	±-	ANGLES	±-	FINISH 仕上		PRODUCT SPEC 製品規格	
0 PLC	±-																
1 PLC	±-																
2 PLC	±-																
3 PLC	±-																
4 PLC	±-																
ANGLES	±-																
MATERIAL 材料		APPLICATION SPEC 取付適用規格		SIZE A3													
		WEIGHT		CAGE CODE 00779													
		CUSTOMER DRAWING		DRAWING NO G=2040800													
		SCALE 尺度 NTS		RESTRICTED TO													
		SHEET 3 of 3		REV B													

## X-ON Electronics

Largest Supplier of Electrical and Electronic Components

*Click to view similar products for D-Sub Standard Connectors category:*

*Click to view products by TE Connectivity manufacturer:*

Other Similar products are found below :

[56F711-015](#) [012-9507-004](#) [LV242999-142T12](#) [015-0341-000](#) [015-0349-000](#) [015-0372-005](#) [015-0372-008](#) [015-8755-001](#) [020419-0104](#) [012-0467-000](#) [012-0515-000](#) [012-9507-034](#) [012-9507-114](#) [020745-0008](#) [609-25P](#) [M24308/2-23Z](#) [CT2-14S-2PCA34](#) [CT2-18-11PCAU](#) [CT2-36-15SC](#) [CT6-14S-2SC](#) [CT6E14SA7SC](#) [CT6E22-14PC](#) [CT6E22-14PS](#) [CT6E22-22PS](#) [M83513/01-FC](#) [M85049/48-3-2F](#) [6STD09PCM99B70X](#) [6STD09SCM99B30X](#) [6STD09SCT99S40X](#) [6STD15PCT99S40X](#) [6STD15SCM99B30X](#) [6STD15SCT99S40X](#) [6STF09PCM05B70X](#) [7-135760-9](#) [MC11E-10-6SN](#) [747552-3](#) [MD1-21PS](#) [MDM-15SCBRM7-F222](#) [MDM96517-699](#) [MDM96521-744](#) [MDVB1-21SL1](#) [MIK0-1-7SH003](#) [MIKQ6-7SH076](#) [MIKQ7-7PH077](#) [MIKQ7-7PH11](#) [MIKQ7-7PH32](#) [MIKQ9-7PH003](#) [MJSV-28SL61](#) [MKJ4A1F14-55S](#) [8-135760-3](#)