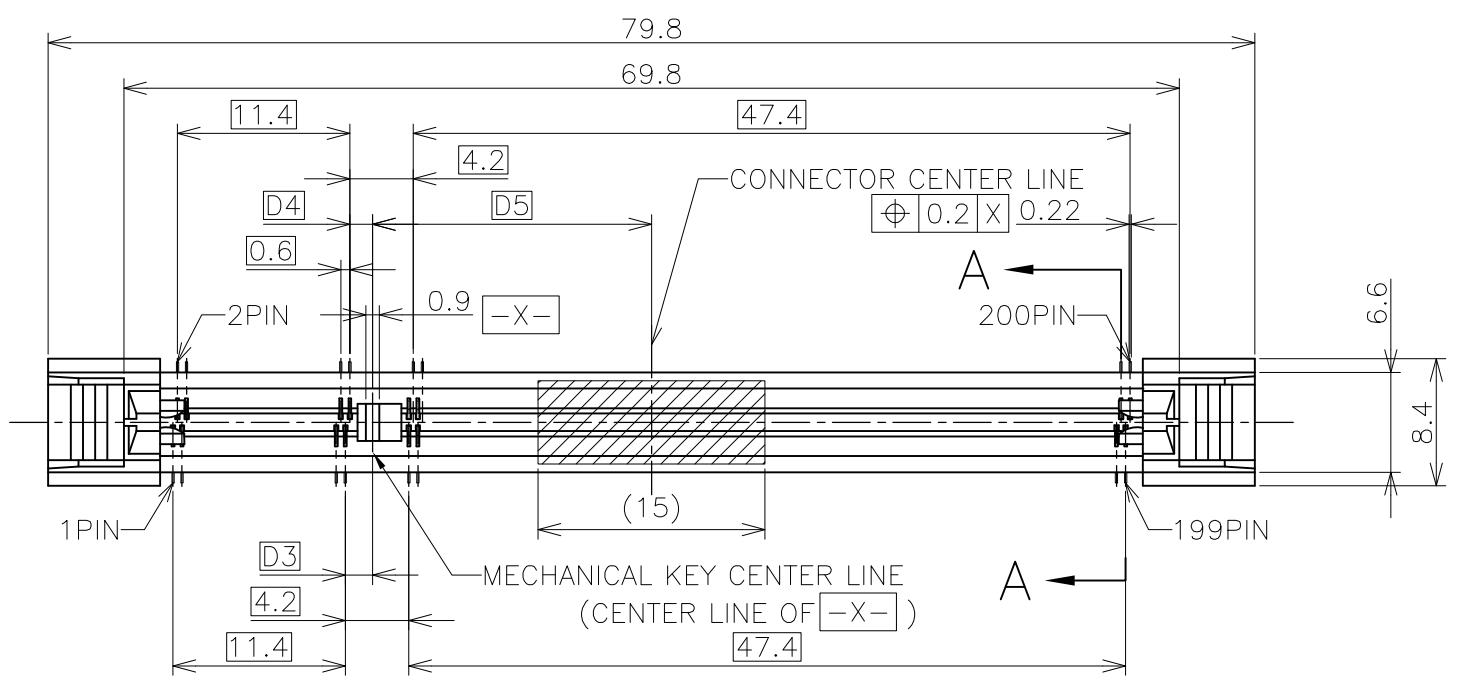
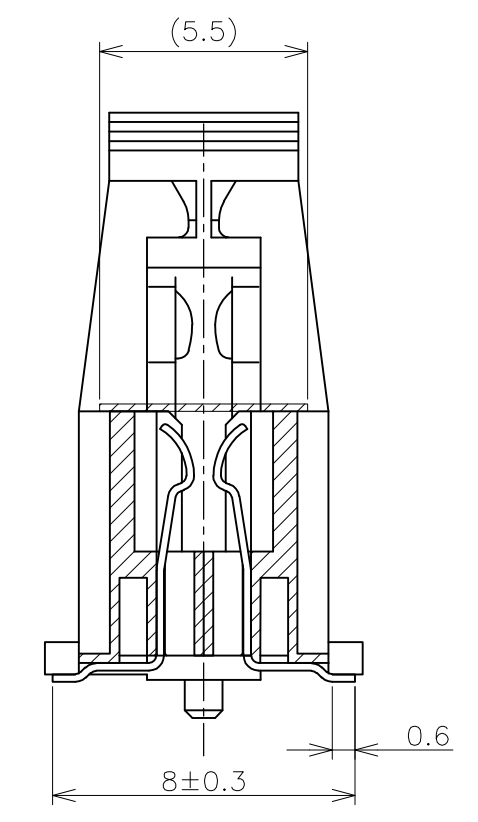
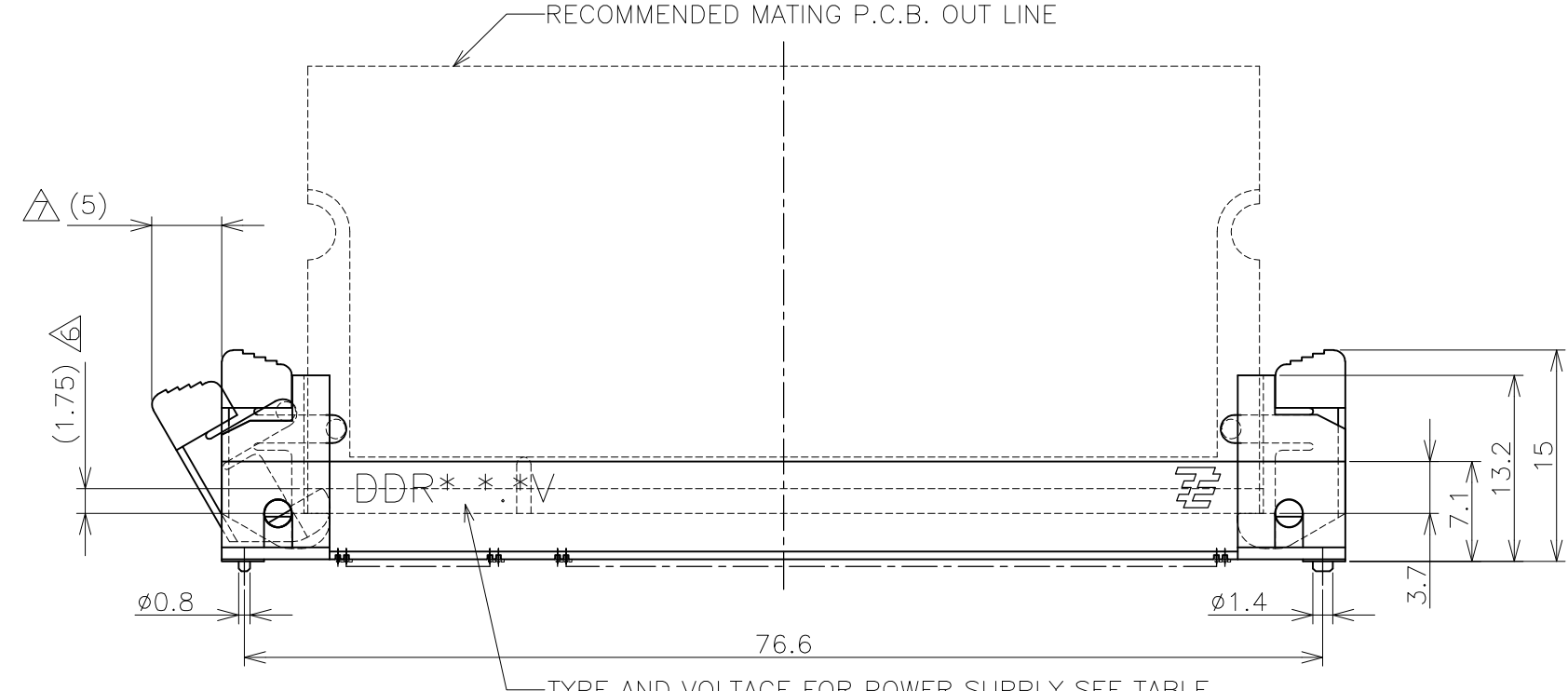


THIS DRAWING IS UNPUBLISHED. RELEASED FOR PUBLICATION
 © COPYRIGHT - By - ALL RIGHTS RESERVED.

LOC	DIST	REVISIONS					
		P	LTR	DESCRIPTION	DATE	DWN	APVD
J		D		REVISED PER ECR-12-005531	23MAR2012	W.W	C.W



- NOTES;(APPLIED TO SHEET 1-2)
- MATERIAL ; HOUSING: HIGH TEMPERATURE THERMO PLASTIC UL94V-0
 CONTACT: COPPER ARROY
 EJECOR: HIGH TEMPERATURE THERMO PLASTIC UL94V-0
 - FINISH ; CONTACT AREA: GOLD FLASH, ALL OVER NICKEL.
 SOLDERING AREA: TIN PLATING, ALL OVER NICKEL.
- ⚠ MECHANICAL KEY POSITION OF CONNECTOR SEE TABLE.
 - ⚠ MODULE TYPE SEE TABLE.
 - ⚠ PWER SUPPLY SEE TABLE.
 - ⚠ THE VOLUME OF LIFTING UP BY EJECTOR.
 - ⚠ ADDITIONAL WIDTH BY EJECTING.
 - ⚠ TOLERANCES NON-CUMULATIVE.



A-A
(SCALE 5:1)

DDR2	1.8V	17.55	2.4	2.7	200	2040910-3
DDR2	1.8V	17.55	2.4	2.7	200	2040910-2
DDR1	2.5V	18.45	1.5	1.8	200	2040910-1
TYPE	POWER SUPPLY	D5	D4	D3	POS	PART NO.

GENERAL TOERLANCE

10 ≥	±0.2
30 ≥	>10 ; ±0.25
100 ≥	>30 ; ±0.3
ANGLE ; ±3°	

THIS DRAWING IS A CONTROLLED DOCUMENT.

DIMENSIONS: 単位: 耗 MM	TOLERANCES UNLESS OTHERWISE SPECIFIED: 一般公差
0 PLC ± -	1 PLC ± -
2 PLC ± -	3 PLC ± -
4 PLC ± -	ANGLES ± 3°
MATERIAL 材料	FINISH 仕上
SEE NOTES	SEE NOTES

THIS DRAWING IS A CONTROLLED DOCUMENT.

DWN T.FUMIKURA 20NOV2008	TE Connectivity
CHK K.IKEGAMI 20NOV2008	
APVD K.IKEGAMI 20NOV2008	
PRODUCT SPEC 製品規格 108-78628	NAME 名称 DDR SODIMM SOCKET 0.6mm PITCH 200POS VERTICAL TYPE
APPLICATION SPEC 取付適用規格	SIZE A3
WEIGHT 4.77g	CAGE CODE 00779
CUSTOMER DRAWING	DRAWING NO 番号 C-2040910
	RESTRICTED TO
SCALE 尺度 2:1	SHEET 1 OF 4
	REV D

THIS DRAWING IS UNPUBLISHED.

RELEASED FOR PUBLICATION

© COPYRIGHT - By -

ALL RIGHTS RESERVED.

LOC
J

DIST
/

REVISIONS

変更

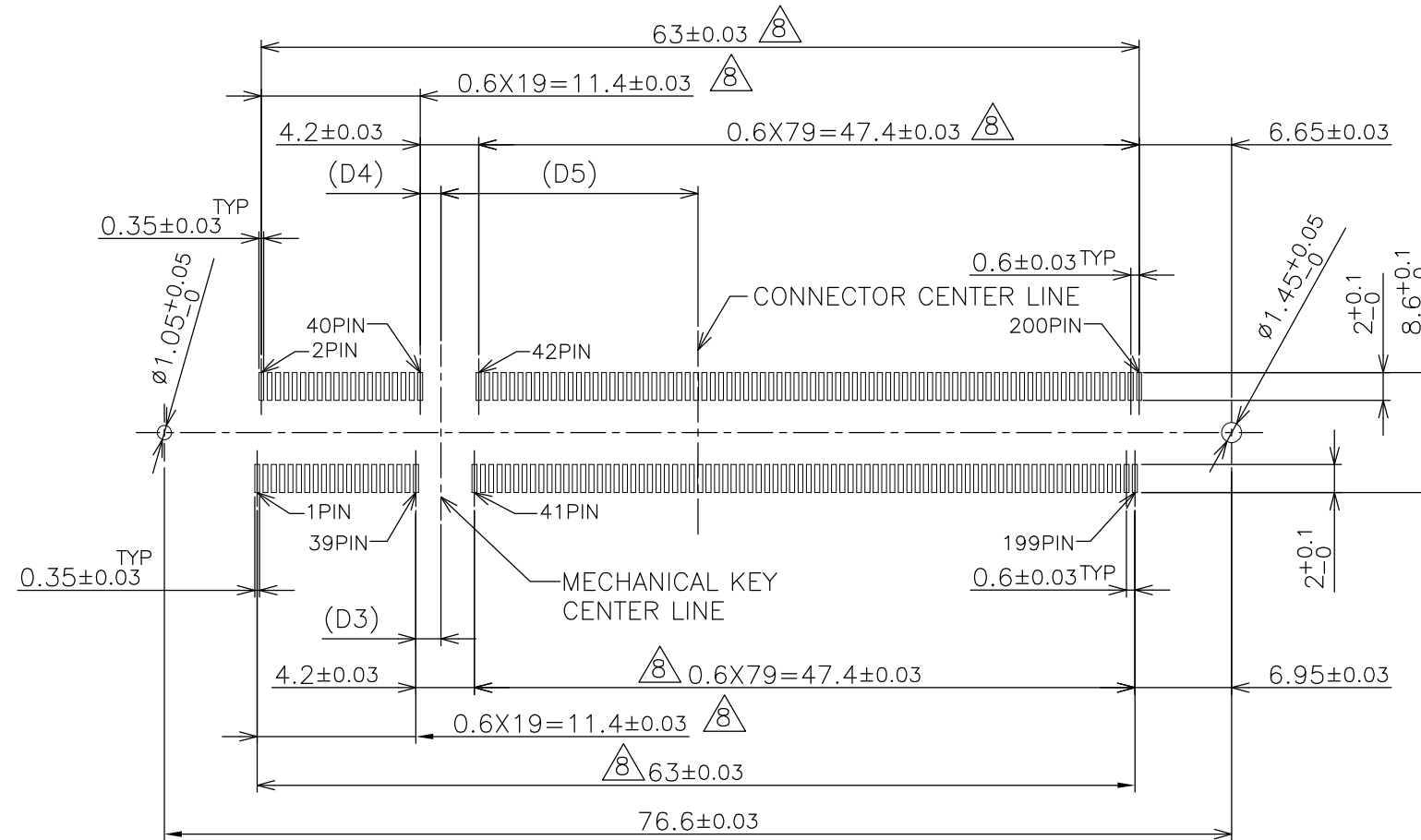
DESCRIPTION

DATE

DWN

APVD

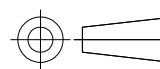
SEE SHEET 1



REFERENCE P.C.B PATTERN LAYOUT
(CONNECTOR MOUNTING SIDE)

THIS DRAWING IS A CONTROLLED DOCUMENT.

DIMENSIONS:
単位: 耗
MM



MATERIAL
材料
SEE NOTES

TOLERANCES UNLESS
OTHERWISE SPECIFIED:
一般公差

- 0 PLC ± -
- 1 PLC ± -
- 2 PLC ± -
- 3 PLC ± -
- 4 PLC ± -
- ANGLES ± 3'

FINISH
仕上
SEE NOTES

DWN

CHK

APVD

PRODUCT SPEC

製品規格

APPLICATION SPEC

取付適用規格

WEIGHT
CUSTOMER DRAWING



NAME
名称

DDR SODIMM SOCKET 0.6mm PITCH
200POS VERTICAL TYPE

SIZE

CAGE CODE

DRAWING NO
番号

RESTRICTED TO

A3 00779

C-2040910

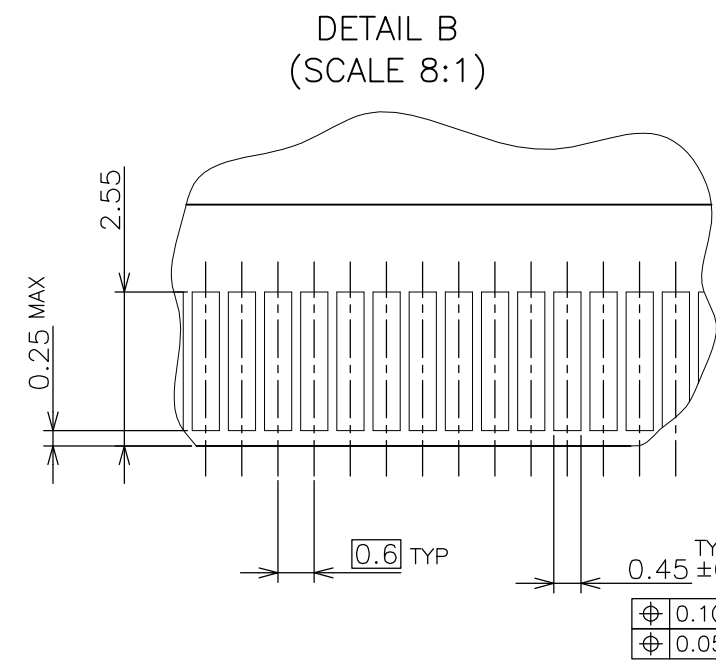
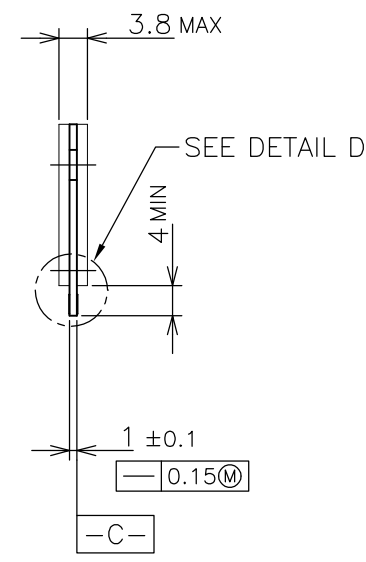
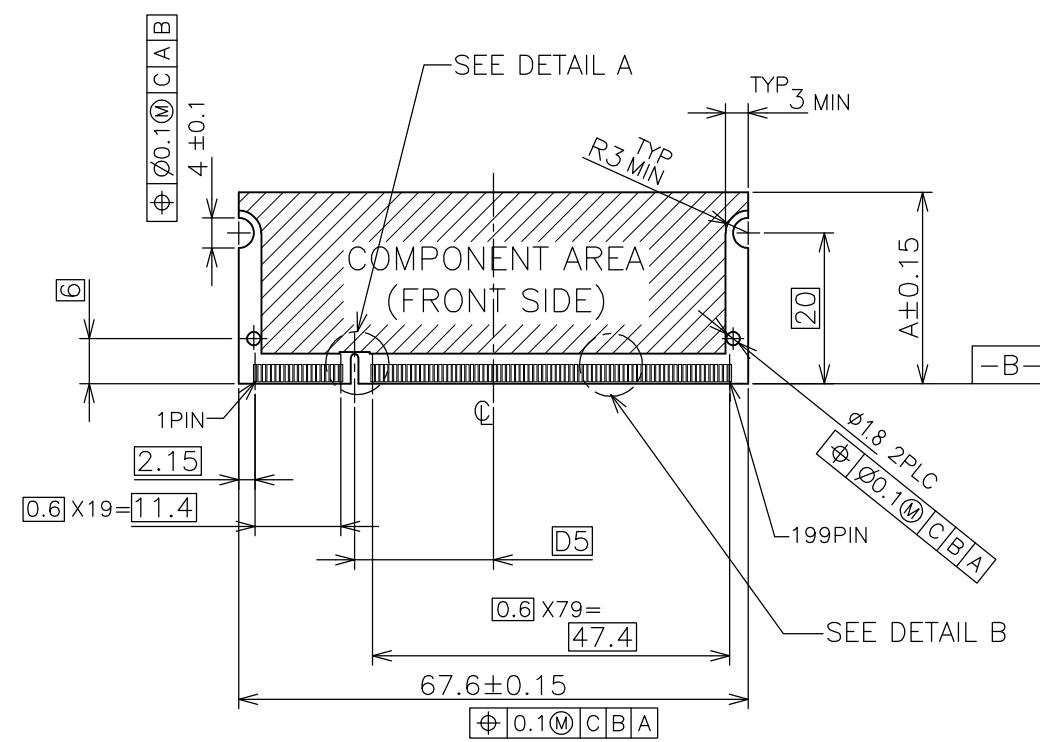
SCALE
尺度 2:1

SHEET
2 OF 4

REV
D

LOC	DIST
J	

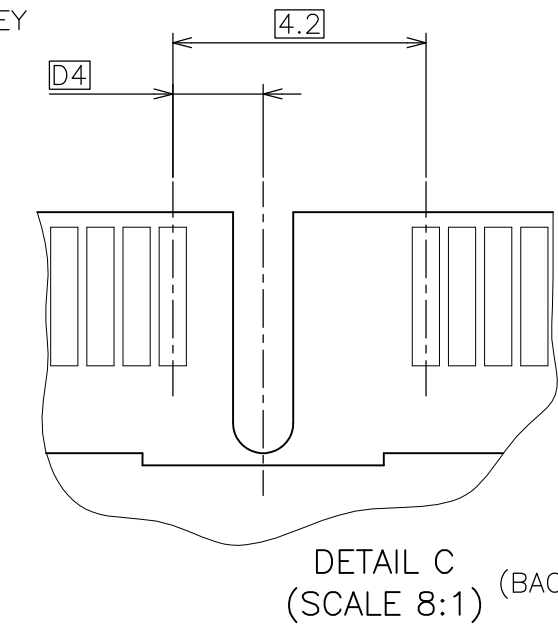
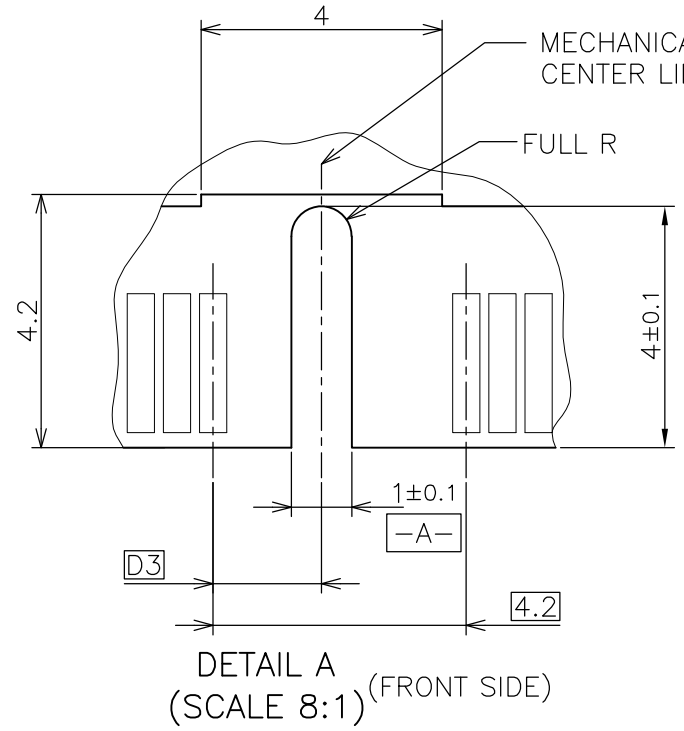
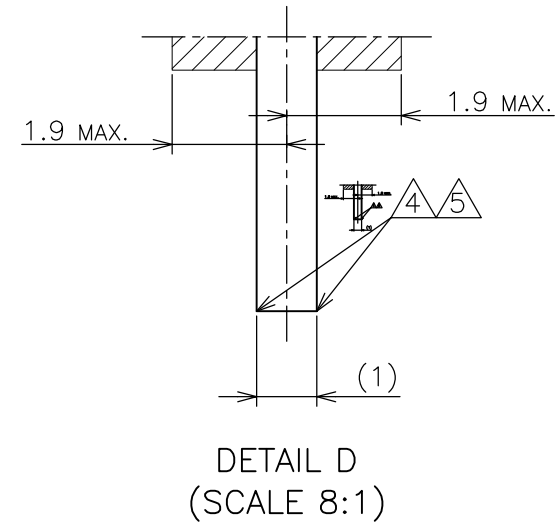
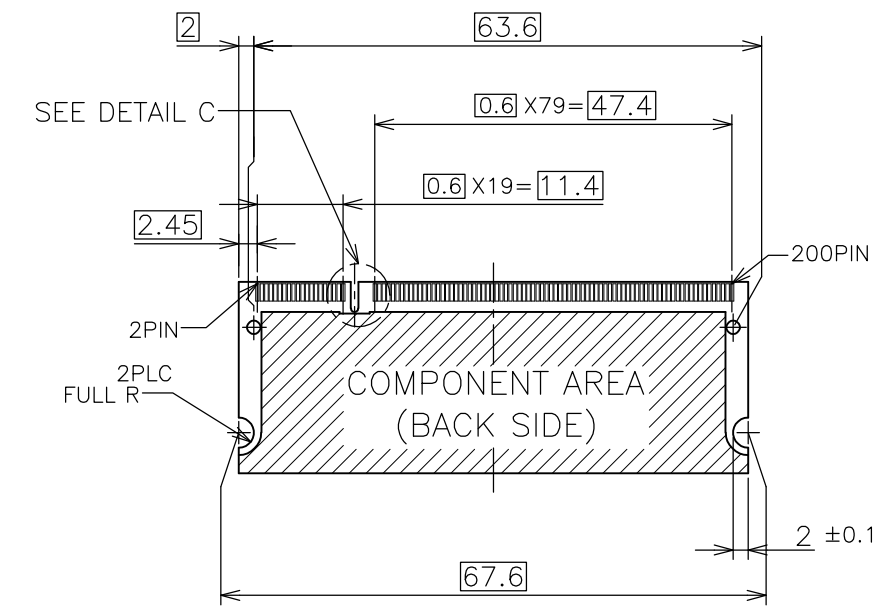
REVISIONS			DATE	DWN	APVD
P	LTR	DESCRIPTION			
		SEE SHEET 1	-	-	-



NOTES;(APPLIED TO SHEET 3)

1. TOLERANCES ON ALL DIMENSIONS ±0.15 UNLESS OTHERWISE SPECIFIED.
2. P.C.BOARD THICKNESS APPLIES ACROSS TABS AND INCLUDES PLATING AND/OR METALIZATION.
3. FINISH OF PAD : GOLD PLATING 0.00076 MIN. OVER Ni PLATING 0.002MIN.

△ NO BURR
 △ CHAMFER 0.25 MAX x 45° IF EXIST.



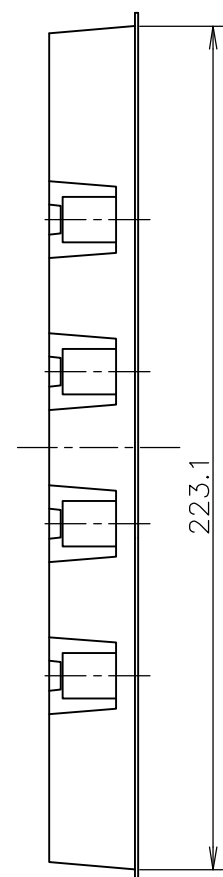
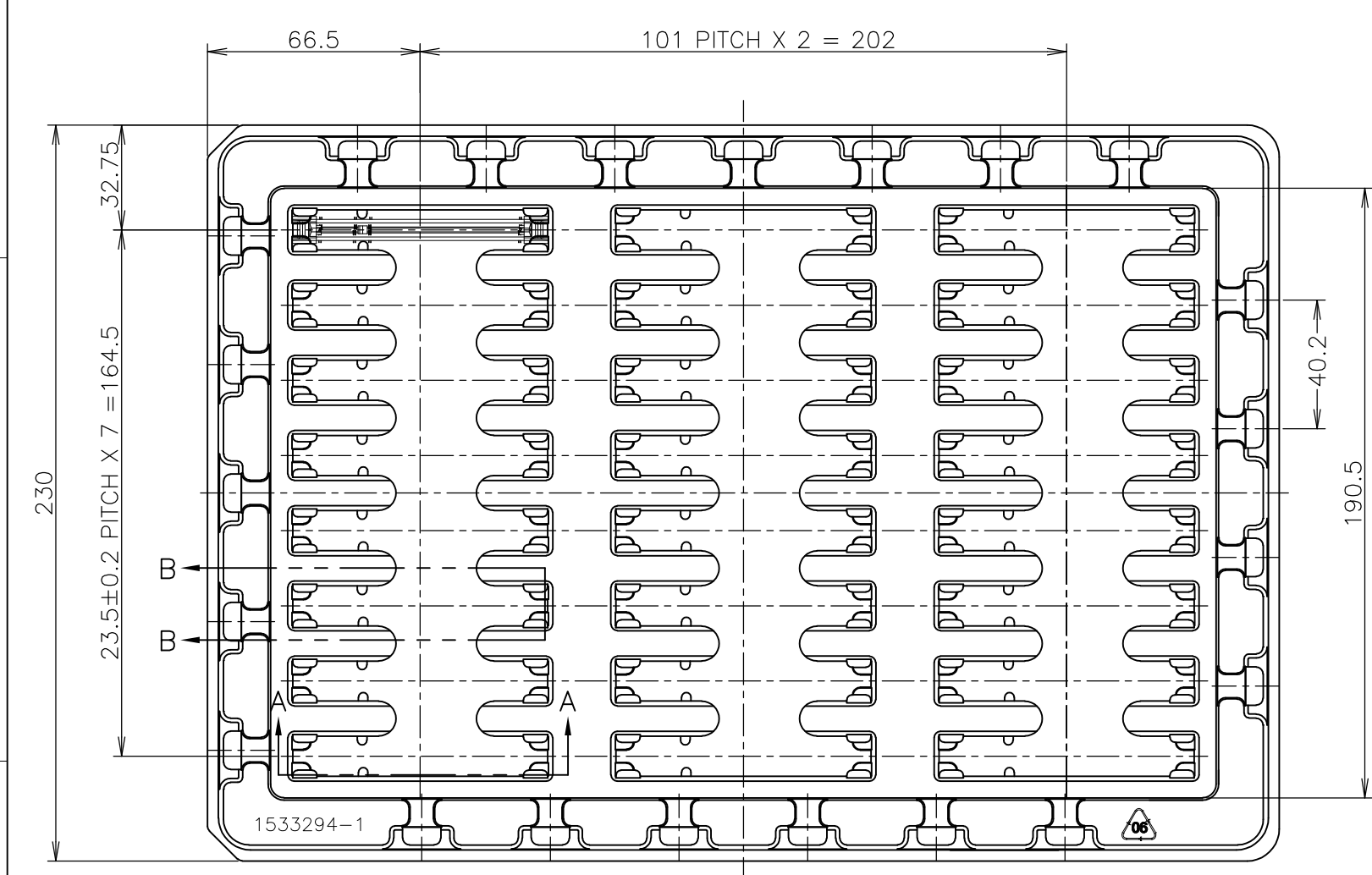
REFERENCE MATING P.C.B CONFIGURATION

31.75	1.8V	17.55	2.4	2.7
25.4	2.5V	18.45	1.5	1.8
A	POWER SUPPLY	D5	D4	D3

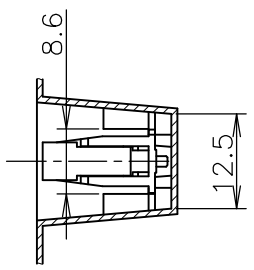
THIS DRAWING IS A CONTROLLED DOCUMENT.		DWN	TE Connectivity NAME 名称 DDR SODIMM SOCKET 0.6mm PITCH 200POS VERTICAL TYPE				
DIMENSIONS: 单位: 耗 MM		CHK					
TOLERANCES UNLESS OTHERWISE SPECIFIED: 一般公差		APVD					
0 PLC ± - 1 PLC ± - 2 PLC ± - 3 PLC ± - 4 PLC ± - ANGLES ± -		PRODUCT SPEC 製品規格					
MATERIAL 材料		WEIGHT	APPLICATION SPEC 取付適用規格	SIZE	CAGE CODE	DRAWING NO 番号	RESTRICTED TO
		CUSTOMER DRAWING		A3	00779	C-2040910	
		SCALE 尺度	1:1	SHEET 3 OF 4		REV D	

THIS DRAWING IS UNPUBLISHED. RELEASED FOR PUBLICATION
 © COPYRIGHT - By - ALL RIGHTS RESERVED.

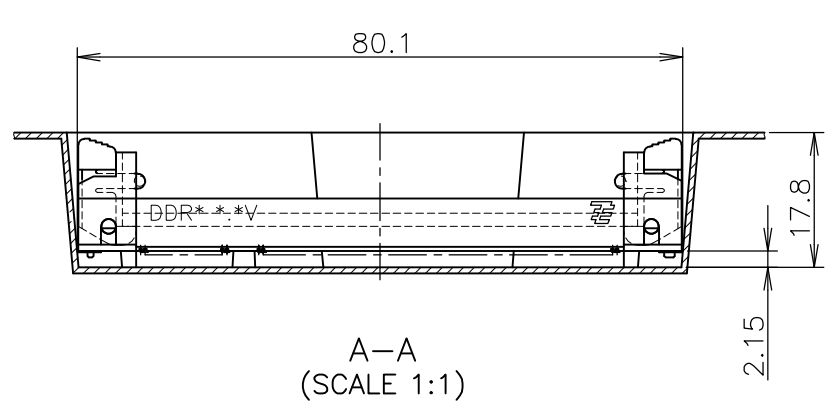
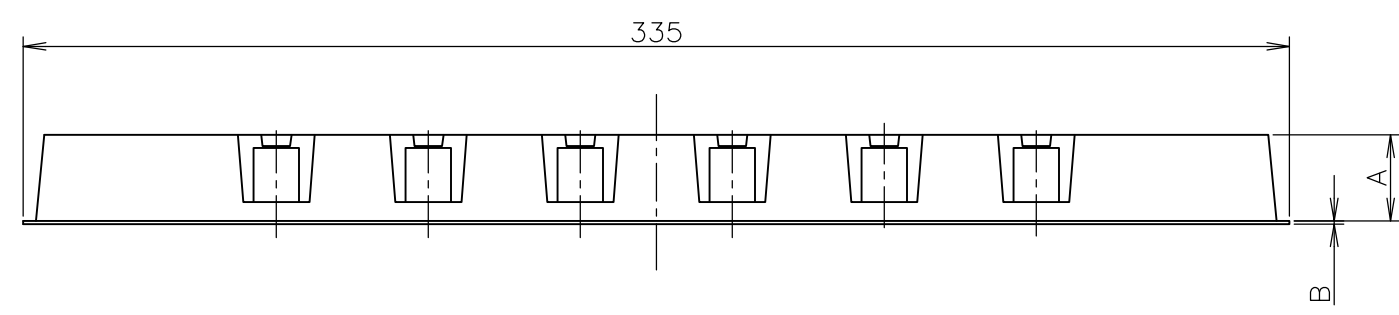
LOC	DIST	REVISIONS					
		P	LTR	DESCRIPTION	DATE	DWN	APVD
J		-		SEE SHEET 1	-	-	-



- (APPLIED TO SHEET 4)
1. THE DIRECTION OF EACH CONNECTOR ON A TRAY IS REFERRED TO THIS DRAWING.
 2. GENERAL TOLERANCE: ±0.5, ±3°



B-B (SCALE 1:1)



A-A (SCALE 1:1)

1.2	18.8	384EA	96EA	24EA	2040910-3
1.2	22.8	384EA	96EA	24EA	2040910-2
1.2	22.8	384EA	96EA	24EA	2040910-1
B	A	QTY/SHIPPING BOX	QTY/INNER BOX	QTY/TRAY	PART NO.

THIS DRAWING IS A CONTROLLED DOCUMENT.

DIMENSIONS: 单位: 耗 MM	TOLERANCES UNLESS OTHERWISE SPECIFIED: 一般公差	DWN	TE Connectivity
0 PLC ± 0.5	1 PLC ± 0.5	CHK	
2 PLC ± 0.5	3 PLC ± 0.5	APVD	NAME 名称
4 PLC ± 0.5	ANGLES ± 3°	PRODUCT SPEC 製品規格	DDR SODIMM SOCKET 0.6mm PITCH 200POS VERTICAL TYPE
MATERIAL 材料	FINISH 仕上	APPLICATION SPEC 取付適用規格	SIZE
		WEIGHT	CAGE CODE
			DRAWING NO 番号
			RESTRICTED TO
			A3 00779 C-2040910
			CUSTOMER DRAWING
			SCALE 1:2
			SHEET 4 OF 4
			REV D

X-ON Electronics

Largest Supplier of Electrical and Electronic Components

Click to view similar products for [DIMM Connectors](#) category:

Click to view products by [TE Connectivity](#) manufacturer:

Other Similar products are found below :

[1-1932649-2](#) [1-1761024-0](#) [2309411-5](#) [296409204002856+](#) [10116658-252ASLF](#) [5390471-1](#) [2309413-3](#) [78507-0061](#) [KIT-SODIMM-1X16GB/01](#) [10129206-0010013LF](#) [10086891-052TSLF](#) [10079192-11102LF](#) [10116658-152FSLF](#) [10129206-0011113LF](#) [1-2308107-0](#) [2013310-1](#) [2013289-1](#) [390111-1](#) [390112-1](#) [2309413-1](#) [2309407-1](#) [2309414-1](#) [10081530-12208LF](#) [151080-0001](#) [78726-1004](#) [10005639-11107LF](#) [10005639-11109LF](#) [10005639-12207LF](#) [10023061-10207LF](#) [10033853-252FSLF](#) [10033853-052ASLF](#) [10033853-052FSLF](#) [10033853-152FSLF](#) [10033854-052FSLF](#) [10034542-10002LF](#) [10037402-12207LF](#) [10081530-11107LF](#) [10081530-12207LF](#) [10081530-12218LF](#) [10124632-0030001LF](#) [10124806-01006LF](#) [10145891-0320J13LF](#) [10145226-0241N13LF](#) [59354-052FSLF](#) [59355-052FSLF](#) [DDR4288S0211TF](#) [DDR4288S0511H](#) [DDR4288S0511TF](#) [DDR4288V0123TF](#) [DDR4288V0213TF](#)