

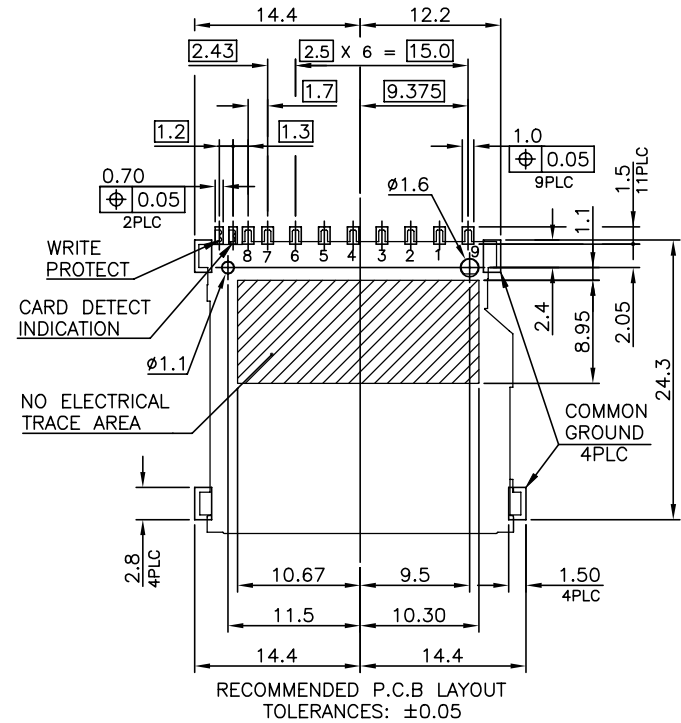
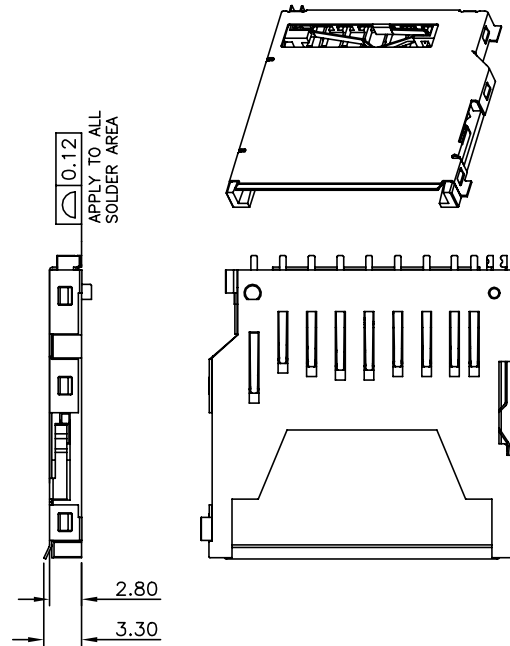
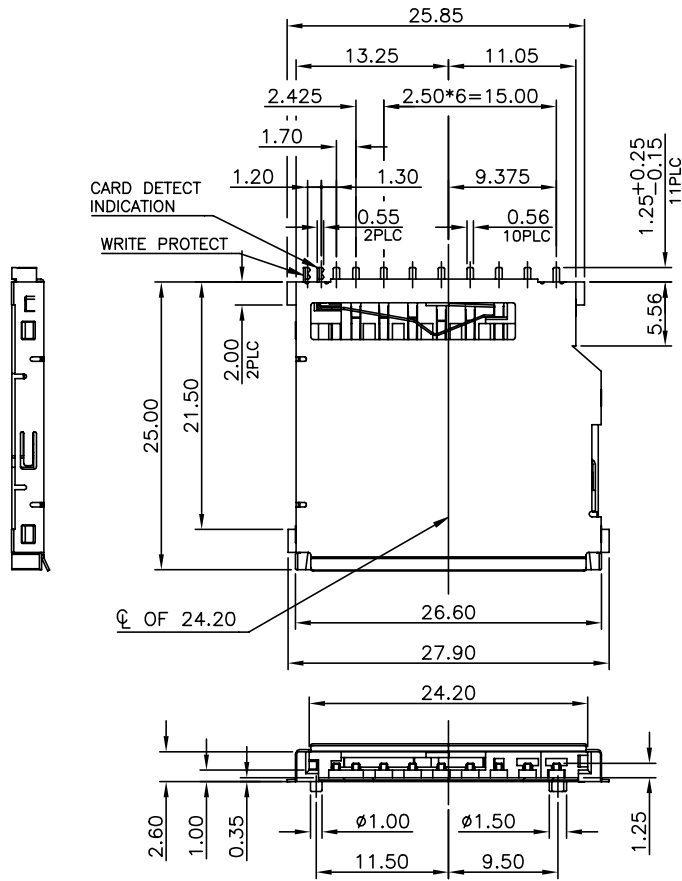
THIS DRAWING IS UNPUBLISHED.

RELEASED FOR PUBLICATION

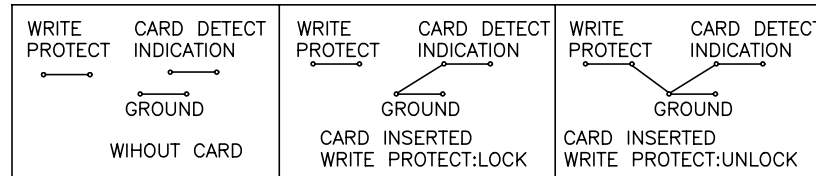
LOC DW DIST

REVISIONS

P	LTR	DESCRIPTION	DATE	DWN	APVD
C		REVISED (ECR-19-015121)	20MAR'20	R.M	S.H



CIRCUIT:



- 1 .MATERIAL:
  - 1.1 HOUSING: THERMOPLASTIC WITH 30% GF, UL94 V-0, COLOR: NATURAL.
  - 1.3 CONTACTS: PHOSPHOR BRONZE. THICKNESS=0.15mm
  - 1.4 SHIELD: STEEL ALLOY. THICKNESS=0.2mm
- 2 .FINISH:
  - 2.1 CONTACT: 0.762um [30u"] MIN GOLD PLATED ON CONTACT AREA. 2.032um [80u"] MIN MATTE TIN PLATED ON SOLDER TAILS. 1.27um [50u"] MIN NICKEL UNDERPLATE OVERALL.
  - 2.2 SHIELD: GOLD FLASH ON SOLDERING AREA. 0.762um [30u"] MIN NICKEL UNDERPLAED OVERALL.
- 3 .FINISH:
  - 3.1 CONTACT: 0.254um [10u"] MIN GOLD PLATED ON CONTACT AREA. 2.032um [80u"] MIN MATTE TIN PLATED ON SOLDER TAILS. 1.27um [50u"] MIN NICKEL UNDERPLATE OVERALL.
  - 3.2 SHIELD: GOLD FLASH ON SOLDERING AREA. 0.762um [30u"] MIN NICKEL UNDERPLAED OVERALL.
4. SWITCH: NORMALLY OPEN.
5. REFLOW SOLDER CAPABLE TO 260°C PER TE CONNECTIVITY SPEC 109-201, CONDITION B.

FINISH	PACKAGE	PART NUMBER
	REEL	2041021-4
	TRAY	2041021-3
OBSOLETE	REEL	<del>2041021-2</del>
OBSOLETE	TRAY	<del>2041021-1</del>

THIS DRAWING IS A CONTROLLED DOCUMENT.		DWN B. MCMASTER 25FEB2008	TE Connectivity	
		CHK D. GORENC 25FEB2008		
DIMENSIONS: mm		APVD D. GORENC 25FEB2008	NAME	
TOLERANCES UNLESS OTHERWISE SPECIFIED:		PRODUCT SPEC	SECURE DIGITAL CARD CONNECTOR TOP MOUNT, SMT TYPE, H=2.80mm	
0 PLC ± -		108-2377	APPLICATION SPEC	
1 PLC ± 0.3		WEIGHT 1.73 GRAMS	SIZE A3	CAGE CODE 00779
2 PLC ± 0.2		CUSTOMER DRAWING	DRAWING NO C=2041021	RESTRICTED TO
3 PLC ± 0.15			SCALE	SHEET 1 OF 3
4 PLC ± -				REV C
ANGLES ± 3'				
MATERIAL SEE NOTE	FINISH SEE NOTE			

4

3

2

1

THIS DRAWING IS UNPUBLISHED.

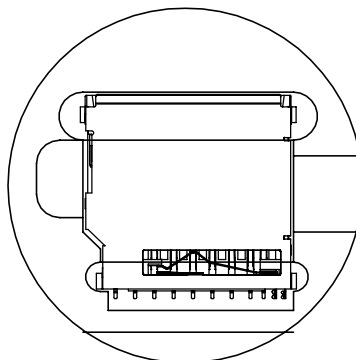
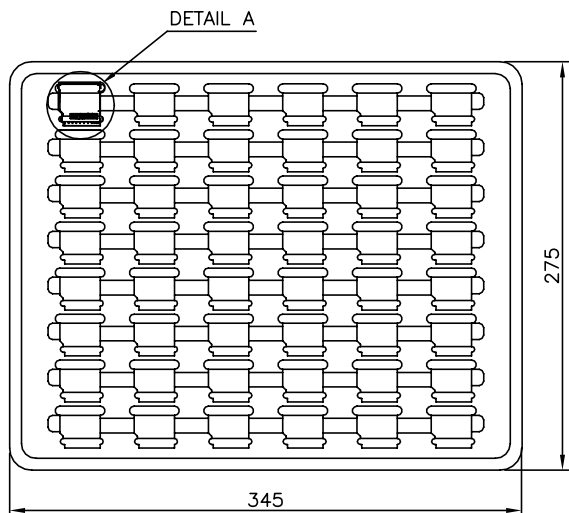
RELEASED FOR PUBLICATION

LOC DW

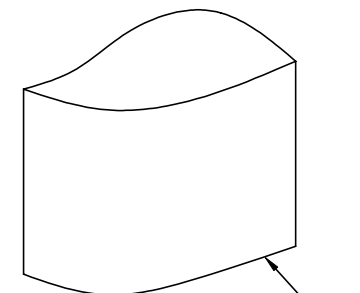
DIST

REVISIONS

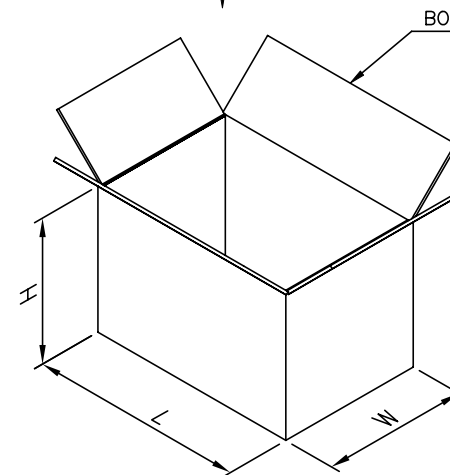
P	LTR	DESCRIPTION	DATE	DWN	APVD
		SEE SHEET 1.			



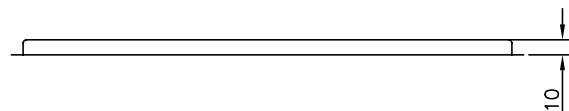
DETAIL A  
SCALE 4:1  
PART ORIENTATION  
SHOWN FOR REFERENCE



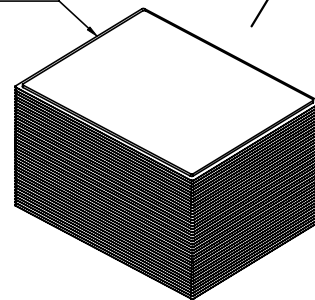
BAG



BOX



THE TOP LAYER IS EMPTY



NOTES:

- MATERIAL:  
TRAY: PS.  
BAG: PE  
BOX: CORRUGATED FIBERBOARD
- DIMENSION:  
TRAY: L=345mm, W=275mm, H=10mm  
BAG: L=700mm, W=600mm, THICKNESS=0.1mm  
BOX: L=355mm, W=285mm, H=195mm
- EACH BAG SHALL BE INCLUDED:  
\* DESICCANT
- QUANTITY: SEE TABLE
- WEIGHT: SEE TABLE

4.6 KG	2.08 KG	48	25	1200	2041021-3
					2041021-1
GROSS WEIGHT	NET WEIGHT	PCS/TRAY	TRAY/BOX	PCS/BOX	PART NUMBER

THIS DRAWING IS A CONTROLLED DOCUMENT.		DWN	TE Connectivity			
DIMENSIONS: mm		CHK				
TOLERANCES UNLESS OTHERWISE SPECIFIED:		APVD	NAME			
0 PLC ± -		PRODUCT SPEC	SECURE DIGITAL CARD CONNECTOR TOP MOUNT, SMT TYPE, H=2.80mm			
1 PLC ± 0.3		APPLICATION SPEC	SIZE	CAGE CODE	DRAWING NO	RESTRICTED TO
2 PLC ± 0.2		WEIGHT	A3	00779	C=2041021	
3 PLC ± 0.15		CUSTOMER DRAWING	SCALE		SHEET	REV
4 PLC ANGLES ± 3'			-		2 OF 3	C
MATERIAL	FINISH					

4 3 2 1

THIS DRAWING IS UNPUBLISHED. RELEASED FOR PUBLICATION

LOC	DIST	REVISIONS					
DW		P	LTR	DESCRIPTION	DATE	DWN	APVD
				SEE SHEET 1.			

NOTES:

- MATERIAL:  
REEL: PS  
BAG: PE  
BOX: CORRUGATED FIBERBOARD
- DIMENSION:  
REEL:  $\phi 330 \times 50.4$   
BAG: L=850mm, W=600mm, THICKNESS=0.1mm  
BOX: L=350mm, W=350mm, H=420mm
- EACH BAG SHALL BE INCLUDED:  
\* DESICCANT
- QUANTITY: SEE TABLE
- WEIGHT: SEE TABLE

8.8 KG	4.15 KG	300	8	2400	2041021-4
GROSS WEIGHT	NET WEIGHT	PCS/ REEL	REEL/ BOX	PCS/ BOX	PART NUMBER

THIS DRAWING IS A CONTROLLED DOCUMENT.		DWN			
DIMENSIONS: mm		CHK			
TOLERANCES UNLESS OTHERWISE SPECIFIED:		APVD		NAME	
0 PLC ± -		PRODUCT SPEC		SECURE DIGITAL CARD CONNECTOR	
1 PLC ± 0.3		APPLICATION SPEC		TOP MOUNT, SMT TYPE, H=2.80mm	
2 PLC ± 0.2		WEIGHT		SIZE	
3 PLC ± 0.15		CUSTOMER DRAWING		CAGE CODE	
4 PLC ANGLES ± 3'		SCALE		DRAWING NO	
MATERIAL		SHEET		RESTRICTED TO	
FINISH		3 OF 3		A3 00779 C=2041021	
		REV		C	

1470-19 (1/08)

## X-ON Electronics

Largest Supplier of Electrical and Electronic Components

*Click to view similar products for [Memory Card Connectors](#) category:*

*Click to view products by [TE Connectivity](#) manufacturer:*

Other Similar products are found below :

[M21-033321-005](#) [6407-249V-25273P](#) [6407-249V-25343P](#) [6426-201-21343](#) [69.920.0553.0](#) [FCN-568P068-G/07-4V](#) [809180410000000](#)  
[N7E50-7516PG-20-WF](#) [HMCAP001](#) [2041353-2](#) [33CFAE-DN](#) [MI21A-50PD-SF-EJR\(91\)](#) [502431-1011](#) [EN2997S61212BN](#)  
[EN2997SE61212BN](#) [NX1-32T-KT3K\(05\)](#) [95622-003LF](#) [N7E50-U516RB-50-SIN0005](#) [95079-00CALF](#) [84648-056HLF](#) [33DVIR-29S12R](#)  
[125A-78C00](#) [MI20A-50PD-SF-EJL\(71\)](#) [KP10S-SF-PEJ\(812\)](#) [504536-0691](#) [504580-0691](#) [CCM03-3109 B LFT](#) [MI21-50PD-SF\(91\)](#) [2309923-](#)  
[1](#) [61126-050CAHLF](#) [IC1GA-68PD-1.27DS-EJ\(72\)](#) [GTFP08432B1HR](#) [G85DT17001P1EU](#) [G85B21611142HHR](#) [GSD090144HR](#)  
[G85D1140022P1HR](#) [GMCB05801124EU](#) [G85C11101152HHR](#) [G85B231021B1HR](#) [G85D1160022HHR](#) [055036006202862+](#) [112K-TAA0-](#)  
[RA1](#) [115S-ACA2](#) [115S-ACA3](#) [115S-BS00](#) [115S-BT00](#) [115V-AD00](#) [MCSP-Q1-08-A-SG-T/R](#) [503960-0695](#) [101B-TAA0-R](#)