

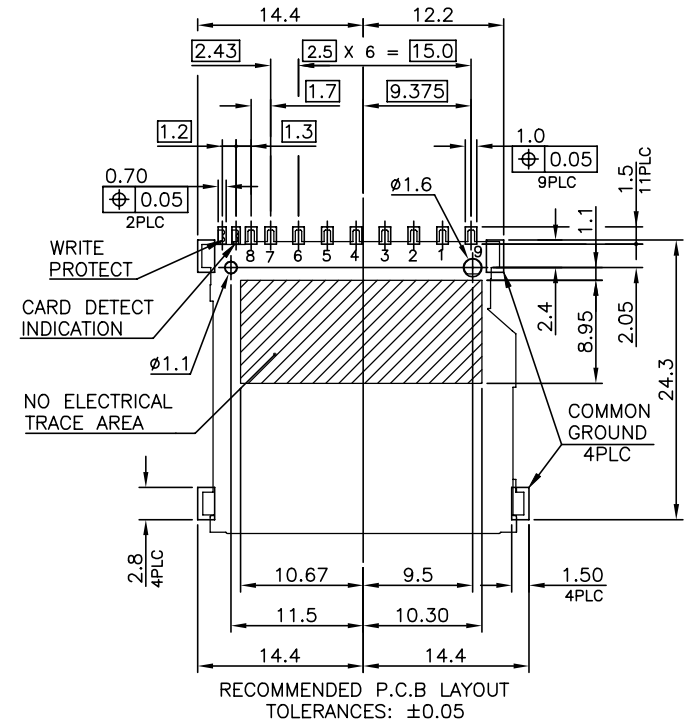
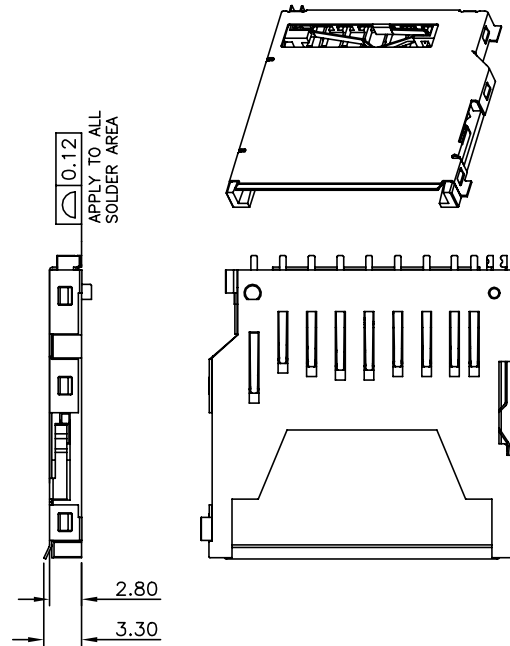
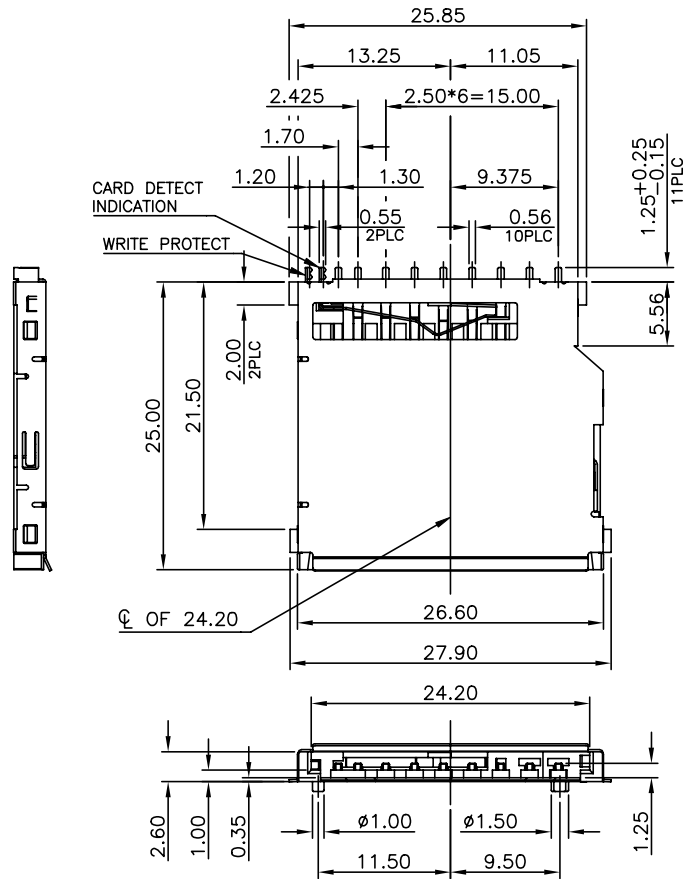
THIS DRAWING IS UNPUBLISHED.

RELEASED FOR PUBLICATION

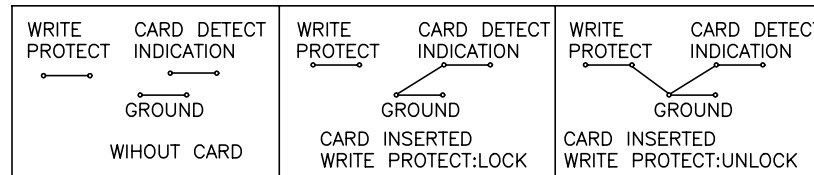
LOC DW DIST

REVISIONS

P	LTR	DESCRIPTION	DATE	DWN	APVD
C		REVISED (ECR-19-015121)	20MAR'20	R.M	S.H



CIRCUIT:



1 .MATERIAL:

- 1.1 HOUSING: THERMOPLASTIC WITH 30% GF, UL94 V-0, COLOR: NATURAL.
- 1.3 CONTACTS: PHOSPHOR BRONZE. THICKNESS=0.15mm
- 1.4 SHIELD: STEEL ALLOY. THICKNESS=0.2mm

2 .FINISH:

- 2.1 CONTACT: 0.762um [30u"] MIN GOLD PLATED ON CONTACT AREA.
2.032um [80u"] MIN MATTE TIN PLATED ON SOLDER TAILS.
1.27um [50u"] MIN NICKEL UNDERPLATE OVERALL.
- 2.2 SHIELD: GOLD FLASH ON SOLDERING AREA.
0.762um [30u"] MIN NICKEL UNDERPLAED OVERALL.

3 .FINISH:

- 3.1 CONTACT: 0.254um [10u"] MIN GOLD PLATED ON CONTACT AREA.
2.032um [80u"] MIN MATTE TIN PLATED ON SOLDER TAILS.
1.27um [50u"] MIN NICKEL UNDERPLATE OVERALL.
- 3.2 SHIELD: GOLD FLASH ON SOLDERING AREA.
0.762um [30u"] MIN NICKEL UNDERPLAED OVERALL.

4. SWITCH: NORMALLY OPEN.

5. REFLOW SOLDER CAPABLE TO 260°C PER TE CONNECTIVITY SPEC 109-201, CONDITION B.

	FINISH	PACKAGE	PART NUMBER
	3	REEL	2041021-4
	3	TRAY	2041021-3
OBSOLETE	2	REEL	2041021-2
OBSOLETE	2	TRAY	2041021-1

THIS DRAWING IS A CONTROLLED DOCUMENT.

DWN B. MCMASTER 25FEB2008
CHK D. GORENC 25FEB2008
APVD D. GORENC 25FEB2008

TE Connectivity

SECURE DIGITAL CARD CONNECTOR
TOP MOUNT, SMT TYPE, H=2.80mm

108-2377

1.73 GRAMS

A3 00779 C=2041021

CUSTOMER DRAWING

SCALE SHEET 1 OF 3 REV C

4

3

2

1

THIS DRAWING IS UNPUBLISHED.

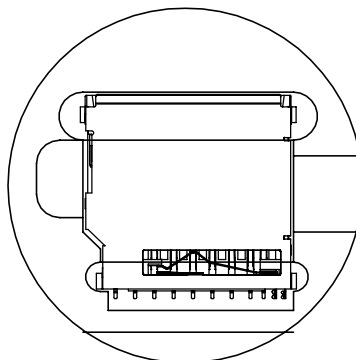
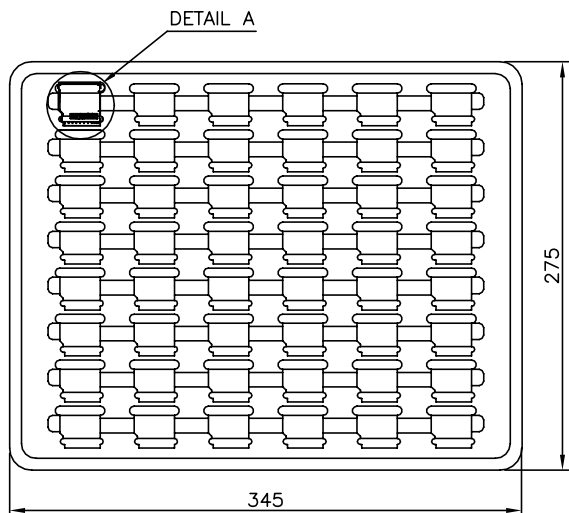
RELEASED FOR PUBLICATION

LOC
DW

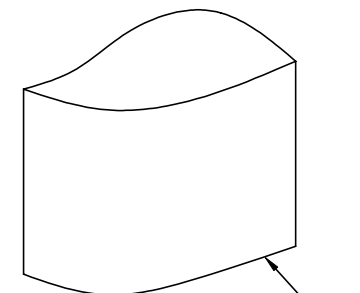
DIST

REVISIONS

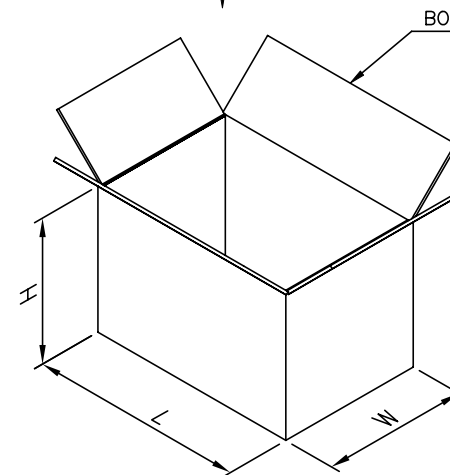
P	LTR	DESCRIPTION	DATE	DWN	APVD
		SEE SHEET 1.			



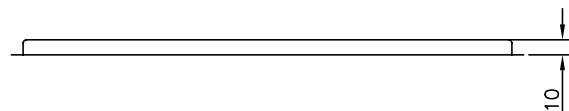
DETAIL A
SCALE 4:1
PART ORIENTATION
SHOWN FOR REFERENCE



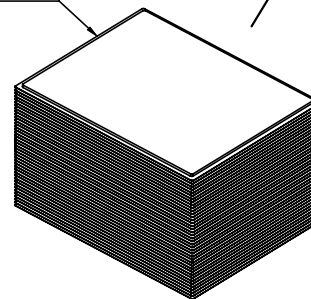
BAG



BOX



THE TOP LAYER IS EMPTY



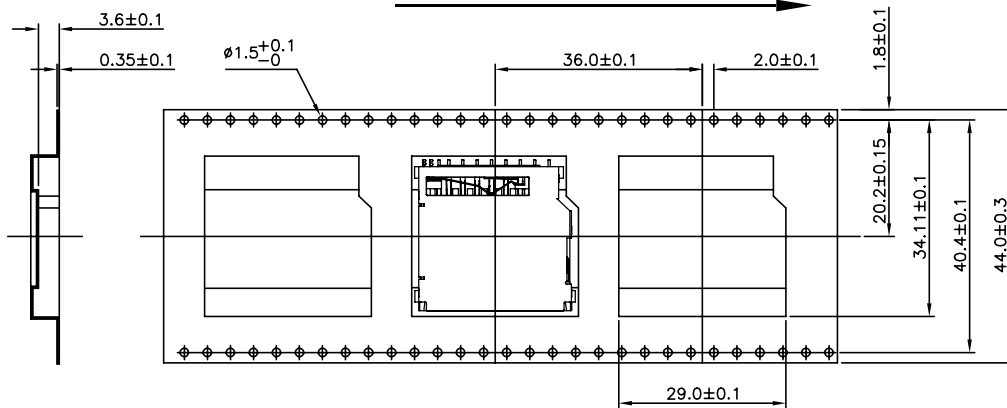
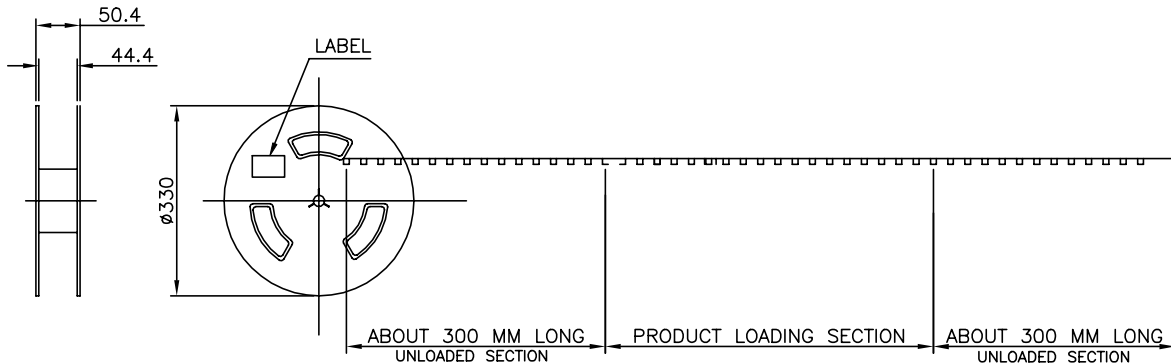
NOTES:

- MATERIAL:
TRAY: PS.
BAG: PE
BOX: CORRUGATED FIBERBOARD
- DIMENSION:
TRAY: L=345mm, W=275mm, H=10mm
BAG: L=700mm, W=600mm, THICKNESS=0.1mm
BOX: L=355mm, W=285mm, H=195mm
- EACH BAG SHALL BE INCLUDED:
* DESICCANT
- QUANTITY: SEE TABLE
- WEIGHT: SEE TABLE

4.6 KG	2.08 KG	48	25	1200	2041021-3
					2041021-1
GROSS WEIGHT	NET WEIGHT	PCS/TRAY	TRAY/BOX	PCS/BOX	PART NUMBER

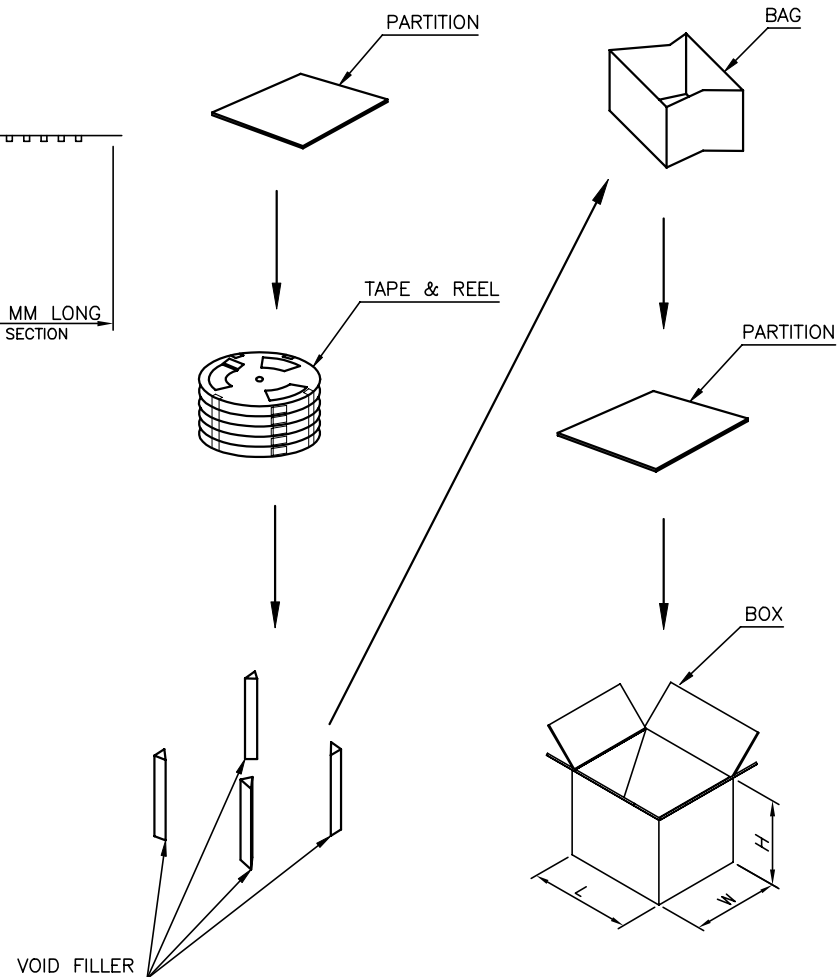
THIS DRAWING IS A CONTROLLED DOCUMENT.		DWN _____		TE Connectivity	
DIMENSIONS: mm		CHK _____			
		APVD _____		NAME _____	
TOLERANCES UNLESS OTHERWISE SPECIFIED:		PRODUCT SPEC _____		SECURE DIGITAL CARD CONNECTOR TOP MOUNT, SMT TYPE, H=2.80mm	
0 PLC ± -		APPLICATION SPEC _____		SIZE CAGE CODE DRAWING NO RESTRICTED TO	
1 PLC ± 0.3		WEIGHT _____		A3 00779 C=2041021	
2 PLC ± 0.2		CUSTOMER DRAWING		SCALE _____ SHEET 2 OF 3 REV C	
3 PLC ± 0.15					
4 PLC ANGLES ± 3'					
MATERIAL _____					
FINISH _____					

P	LTR	DESCRIPTION	DATE	DWN	APVD
		SEE SHEET 1.			



NOTES:

- MATERIAL:
REEL: PS
BAG: PE
BOX: CORRUGATED FIBERBOARD
- DIMENSION:
REEL: $\phi 330 \times 50.4$
BAG: L=850mm, W=600mm, THICKNESS=0.1mm
BOX: L=350mm, W=350mm, H=420mm
- EACH BAG SHALL BE INCLUDED:
* DESICCANT
- QUANTITY: SEE TABLE
- WEIGHT: SEE TABLE



8.8 KG	4.15 KG	300	8	2400	2041021-4
GROSS WEIGHT	NET WEIGHT	PCS/ REEL	REEL/ BOX	PCS/ BOX	PART NUMBER

THIS DRAWING IS A CONTROLLED DOCUMENT.

DIMENSIONS: mm	TOLERANCES UNLESS OTHERWISE SPECIFIED: 0 PLC ± - 1 PLC ± 0.3 2 PLC ± 0.2 3 PLC ± 0.15 4 PLC ANGLES ± 3'	DWN CHK APVD PRODUCT SPEC APPLICATION SPEC WEIGHT CUSTOMER DRAWING	TE Connectivity NAME SECURE DIGITAL CARD CONNECTOR TOP MOUNT, SMT TYPE, H=2.80mm		
MATERIAL	FINISH	SIZE A3	CAGE CODE 00779	DRAWING NO C=2041021	RESTRICTED TO
			SCALE	SHEET 3 OF 3	REV C

X-ON Electronics

Largest Supplier of Electrical and Electronic Components

Click to view similar products for [Memory Card Connectors](#) category:

Click to view products by [TE Connectivity](#) manufacturer:

Other Similar products are found below :

[M21-033321-005](#) [6407-249V-25273P](#) [6407-249V-25343P](#) [6426-201-21343](#) [69.920.0553.0](#) [FCN-568P068-G/07-4V](#) [809180410000000](#)
[N7E50-7516PG-20-WF](#) [HMCAP001](#) [2041353-2](#) [33CFAE-DN](#) [502431-1011](#) [EN2997S61212BN](#) [EN2997SE61212BN](#) [NX1-32T-KT3K\(05\)](#)
[95622-003LF](#) [N7E50-U516RB-50-SIN0005](#) [95079-00CALF](#) [33DVIR-29S12R](#) [125A-78C00](#) [MI20A-50PD-SF-EJL\(71\)](#) [KP10S-SF-PEJ\(812\)](#)
[504536-0691](#) [504580-0691](#) [CCM03-3109 B LFT](#) [MI21-50PD-SF\(91\)](#) [2309923-1](#) [61126-050CAHLF](#) [IC1GA-68PD-1.27DS-EJ\(72\)](#)
[GTFP08432B1HR](#) [G85DT17001P1EU](#) [G85B21611142HHR](#) [GSD090144HR](#) [G85D1140022P1HR](#) [GMCB05801124EU](#) [G85C11101152HHR](#)
[G85B231021B1HR](#) [G85D1160022HHR](#) [112K-TAA0-RA1](#) [115S-ACA2](#) [115S-ACA3](#) [115S-BS00](#) [115S-BT00](#) [115V-AD00](#) [MCSP-Q1-08-](#)
[A-SG-T/R](#) [503960-0695](#) [101B-TAA0-R](#) [101D-TAAA-R01](#) [101D-TAAB-R01](#) [104D-TCA0-R06](#)