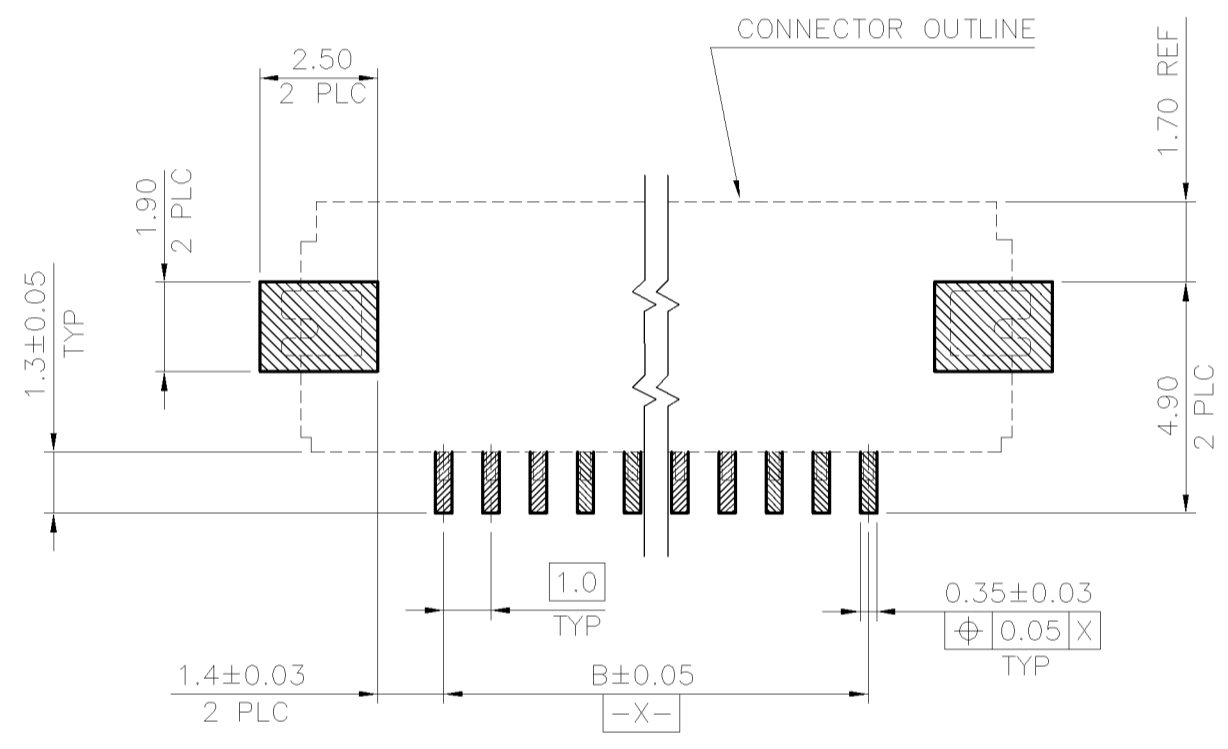
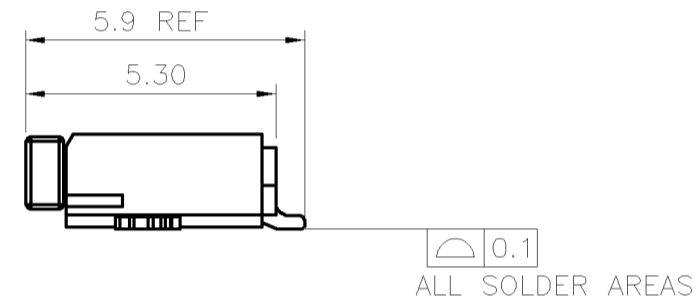
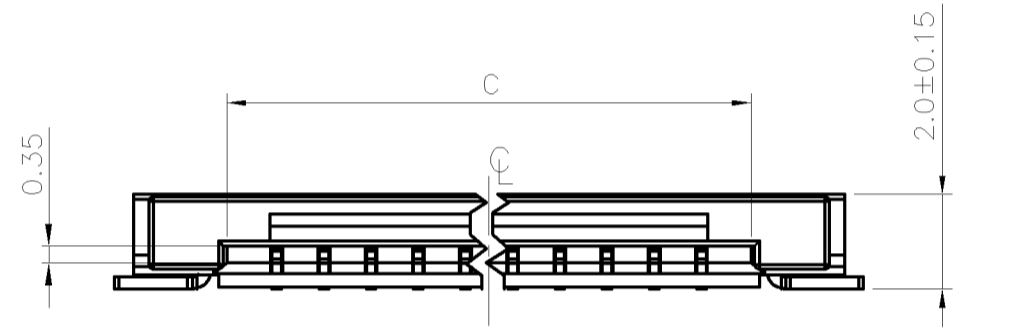
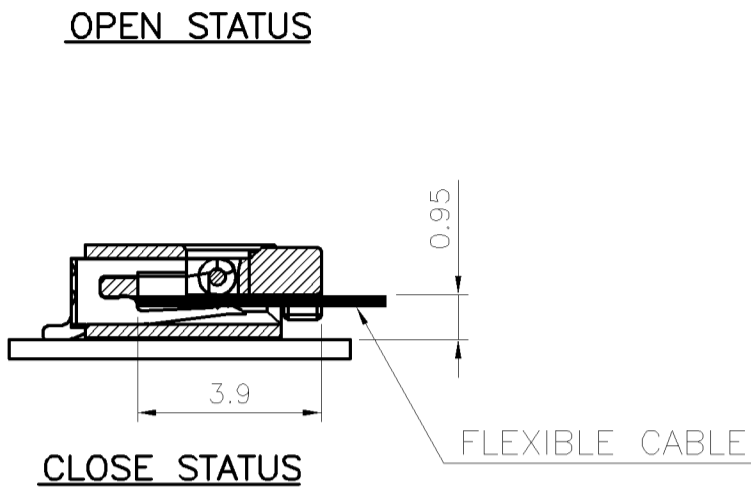
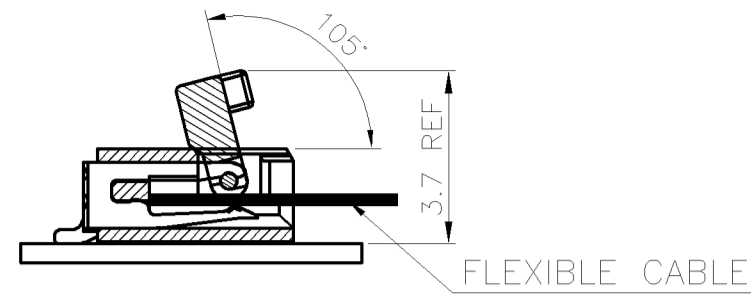
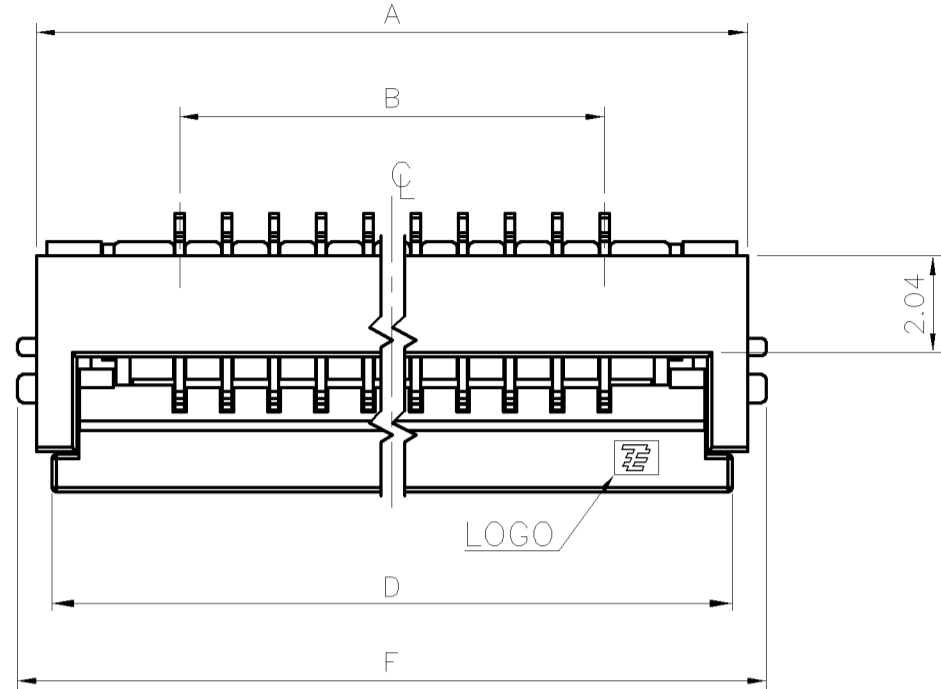


THIS DRAWING IS UNPUBLISHED. RELEASED FOR PUBLICATION
 © COPYRIGHT 2010 BY TYCO ELECTRONICS CORPORATION. ALL RIGHTS RESERVED.

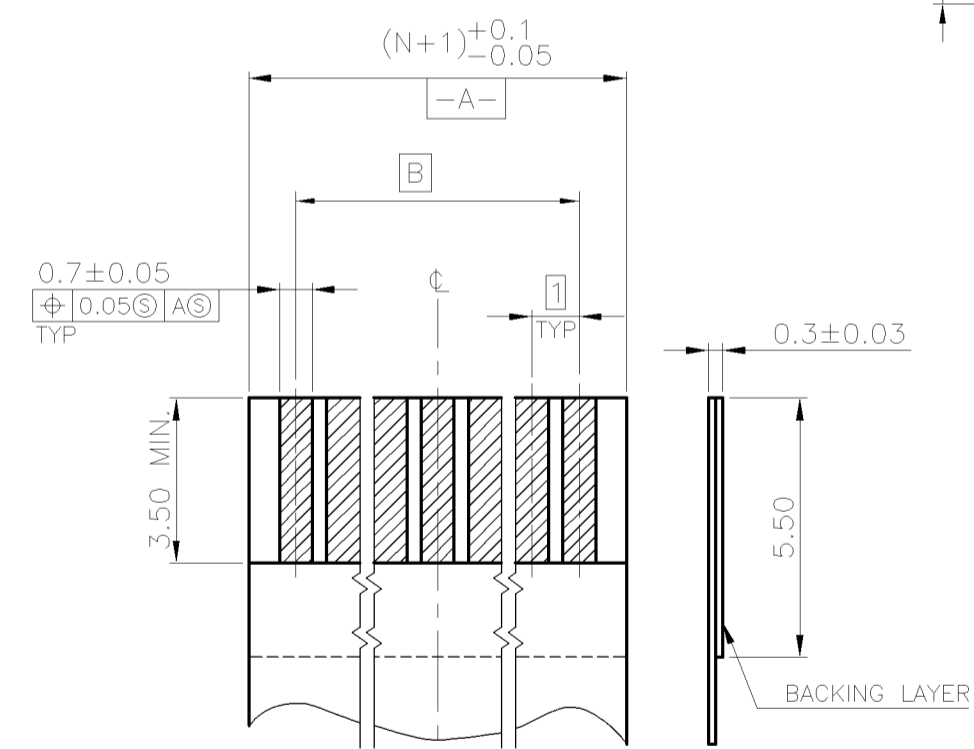
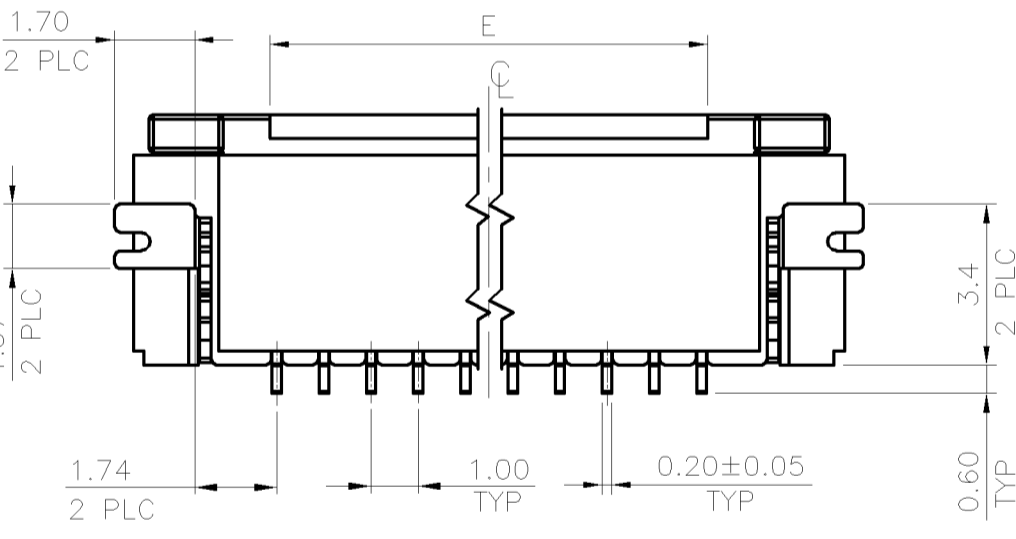
LOC		DIST		REVISIONS			
DW	-	P	LTR	DESCRIPTION	DATE	DWN	APVD
		H		ECR-10-018952	13SEP10	AW	WK

NOTES:

- MATERIAL:
 HOUSING: LCP WITH 30% GF, UL94 V-0, NATURAL COLOR.
 ACTUATOR: LCP WITH 40% GF, UL94 V-0, BLACK COLOR.
 CONTACTS: PHOSPHOR BRONZE.
 PEGS: BRASS.
- FINISH:
 CONTACTS: 0.0762µm [3µ"] MIN. GOLD PLATED ON CONTACT AREA, GOLD FLASH ON SOLDER TAIL, WITH ENTIRE CONTACT UNDERPLATED 1.27µm [50µ"] MIN. NICKEL.
 PEGS: 2.54µm [100µ"] MIN. MATTE-TIN OVER 1.27µm [50µ"] MIN. NICKEL
- REFLOW SOLDER CAPABLE TO 260°C PER TEC-109-201, CONDITION B.
- SUBSTANCE RESTRICTIONS FOR LOW HALOGEN (BY WEIGHT):
 - BROMINE (Br) ≤ 900 PPM (0.09%)
 - CHLORINE (Cl) ≤ 900 PPM (0.09%)
 - TOTAL CONCENTRATION OF CHLORINE (Cl) + BROMINE (Br) ≤ 1500 PPM (0.15%)



TOLERANCE: ±0.08
 RECOMMENDED P.C.B. LAYOUT
 (TOP VIEW)



(N = NO. OF CONTACTS)
 RECOMMENDED FPC/FFC LAYOUT

35.87	7.0	34.41	31.10	29.0	35.07	30	3-2041084-0
30.87	7.0	29.41	26.10	24.0	30.07	25	2-2041084-5
21.87	7.0	20.41	17.10	15.0	21.07	16	1-2041084-6
17.87	11.28	16.41	13.10	11.0	17.07	12	1-2041084-2
15.87	9.28	14.41	11.10	9.0	15.07	10	1-2041084-0
13.87	7.28	12.41	9.10	7.0	13.07	8	2041084-8
11.87	5.28	10.41	7.10	5.0	11.07	6	2041084-6
9.87	3.28	8.41	5.10	3.0	9.07	4	2041084-4
F	E	D	C	B	A	NO. OF CONTACTS	PART NUMBER

THIS DRAWING IS A CONTROLLED DOCUMENT.

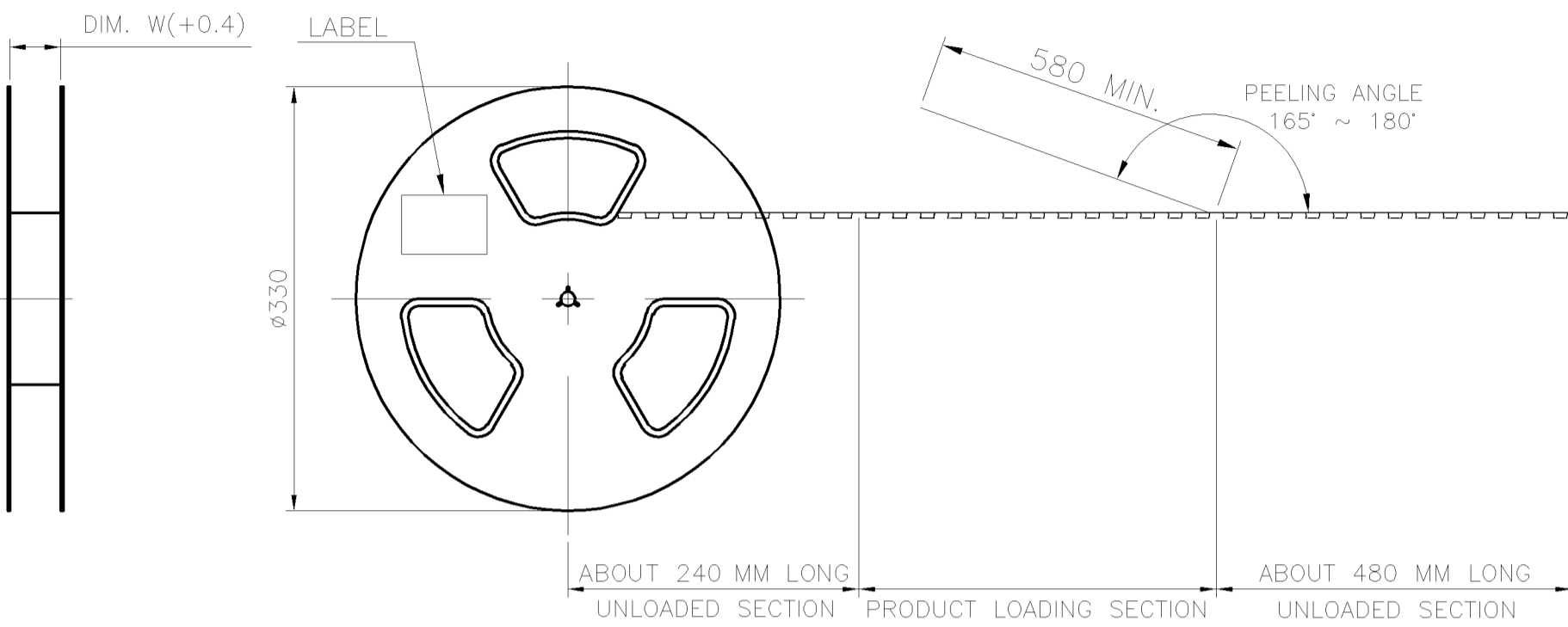
DWN	A. WU	07AUG2008	Tyco Electronics Corporation Taipei, Taiwan
CHK	S. HOU	07AUG2008	
APVD	W. KODAMA	07AUG2008	
PRODUCT SPEC	108-57365		
APPLICATION SPEC	-		
MATERIAL	SEE NOTE	FINISH	SEE NOTE
WEIGHT	-	SCALE	A2
CUSTOMER DRAWING		SHEET	1 of 2

FPC CONNECTOR, 1.0 PITCH, 105° ZIF, BOTTOM CONTACT

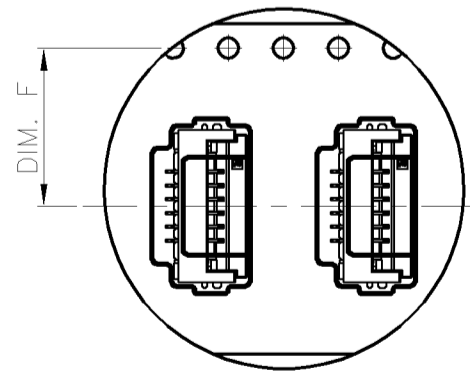
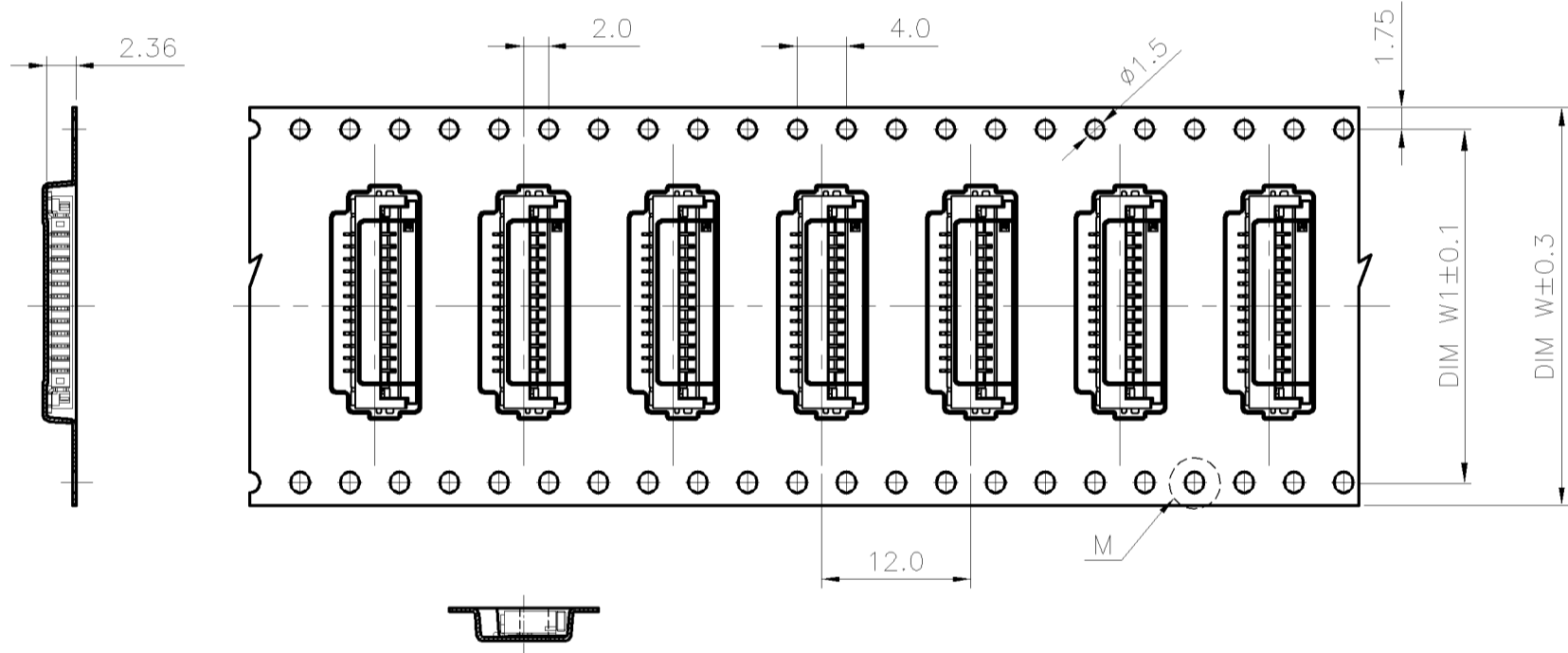
SIZE: A2 CAGE CODE: 00779 DRAWING NO: C=2041084 RESTRICTED TO: -

THIS DRAWING IS UNPUBLISHED. RELEASED FOR PUBLICATION
 © COPYRIGHT 2010 BY TYCO ELECTRONICS CORPORATION. ALL RIGHTS RESERVED.

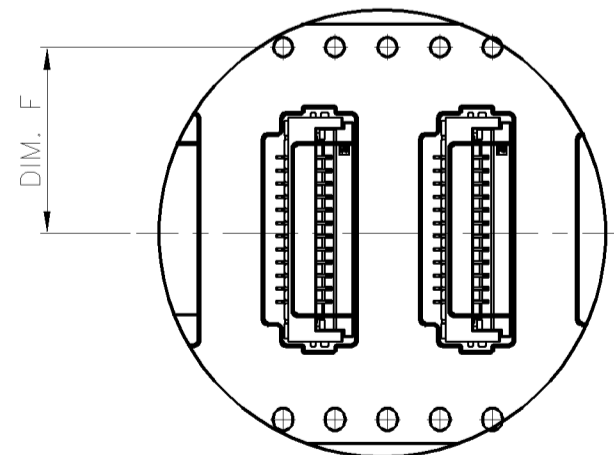
LOC	DIST	REVISIONS			
P	LTR	DESCRIPTION	DATE	DWN	APVD
DW	-	SEE SHEET 1.			



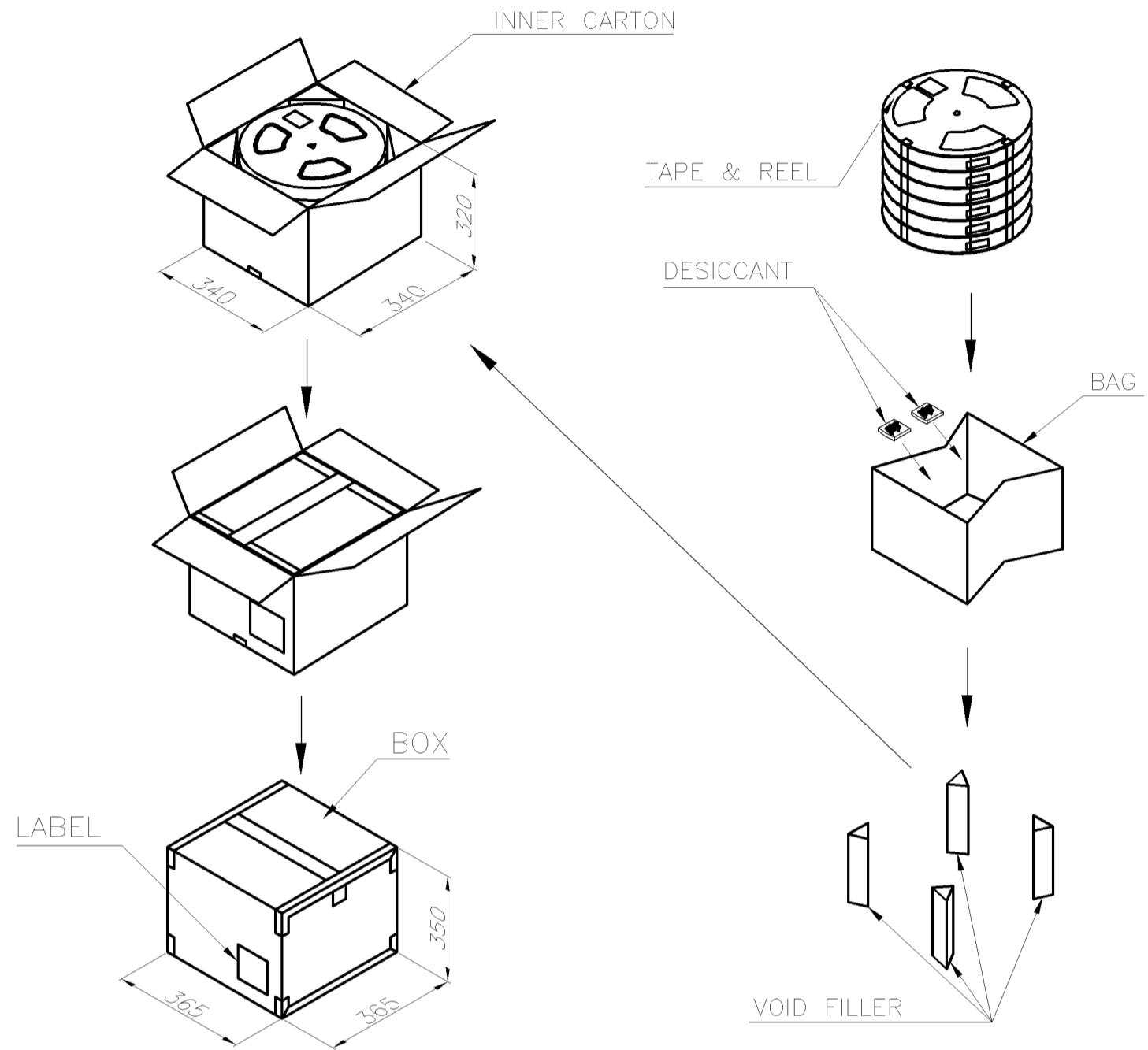
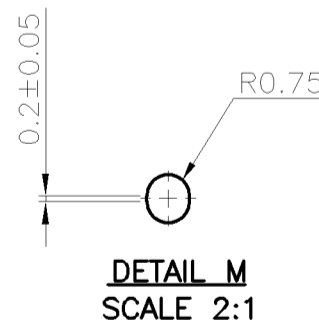
USER DIRECTION OF UNREELING →



FOR 4 ~ 8 CONTACTS
SINGLE ROW



FOR 10 ~ 30 CONTACTS
DUAL ROW



PCS/BOX	PCS/TAPE	REELS/BOX	DIM W1	DIM F	DIM W	G/W (Kg)	N/W (Kg)	NO. OF CONTACT
10000	2000	5	52.4	36.2	56	12.25	5.3	30
12000	2000	6	40.4	20.2	44	13.61	6.3	25
16000	2000	8	28.4	14.2	32	11.62	5.02	16
						10.8	4.2	12
						10.35	4.3	10
20000	2000	10	-	11.5	24	10.21	3.86	8
						10.1	3.15	6
						9.9	2.75	4

THIS DRAWING IS A CONTROLLED DOCUMENT.		DWN A. WU 07AUG2008	Tyco Electronics Corporation Taipei, Taiwan	
DIMENSIONS: MM		CHK S. HOU 07AUG2008	NAME	
TOLERANCES UNLESS OTHERWISE SPECIFIED:		APVD W. KODAMA 07AUG2008	FPC CONNECTOR, 1.0 PITCH, 105° ZIF, BOTTOM CONTACT	
0 PLC ±		PRODUCT SPEC	SIZE	RESTRICTED TO
1 PLC ±		APPLICATION SPEC	CAGE CODE	
2 PLC ±		WEIGHT	DRAWING NO	
3 PLC ±		CUSTOMER DRAWING	A2 00779	
4 PLC ±		SCALE	C=2041084	
ANGLES ±		SHEET	2 of 2	
FINISH		REV	H	

X-ON Electronics

Largest Supplier of Electrical and Electronic Components

Click to view similar products for [TE Connectivity](#) manufacturer:

Other Similar products are found below :

[D38999/24FJ4AN](#) [570416-000](#) [CLTEQ-M81CE-SSRELAY-4-20V](#) [4-1195131-0](#) [650069-000](#) [SMD100-2](#) [358838-000](#) [CB-1022B-78](#)
[RM707012](#) [RP410012](#) [MMS42](#) [1-640426-8](#) [2EDL4CM](#) [DTS20W19-11PD-3028-LC](#) [RM202615](#) [NC6-P104-06](#) [MSPS103B](#) [DTS26F21-](#)
[41HE-LC](#) [DTS26F21-41AE](#) [DTS26F21-41PE-LC](#) [DTS26F21-11SE-3028-LC](#) [30DCB6](#) [1932144-1](#) [293545-4](#) [LVR125S](#) [MS27466T25F4PB](#)
[CKB-38-78010](#) [TR04AI-TINELLOCKRING](#) [1206SFF150F/63-2](#) [D38999/20JB35HA](#) [TE1500A2R2J](#) [D38999/20WC8BB](#) [DTS24F19-11SC-](#)
[3028-LC](#) [D38999/24WG11HA](#) [D38999/24WG11HN](#) [MS27467T21F11H](#) [DJT16E21-11HA](#) [MS27467T21F35J](#) [MS27467T21F11J](#)
[MS27467T21F16H-LC](#) [MS27467T21F35H](#) [MS27467T21F41H-LC](#) [1206SFH150F/24-2](#) [RP330024](#) [DJT16E21-11PA-LC](#) [DJT16E21-11HA-](#)
[LC](#) [DJT16E21-11AA](#) [MS27467T21B11JA](#) [DJT16E21-11JA](#) [MS27467T21B11JA-LC](#)