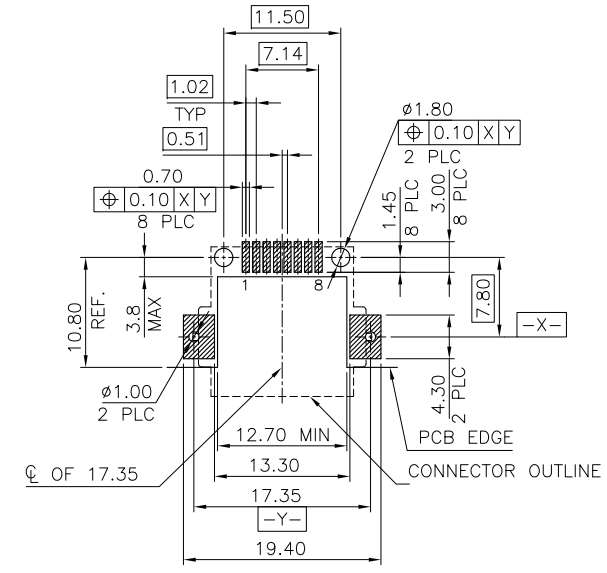
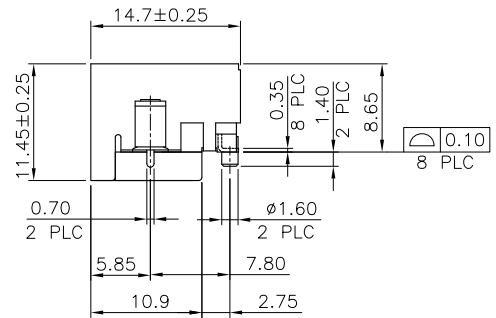
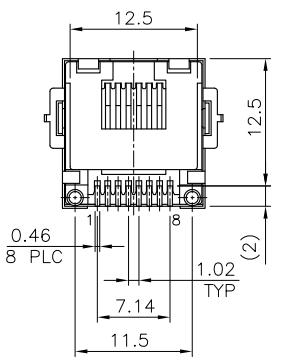
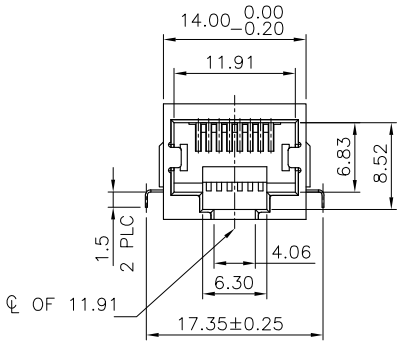
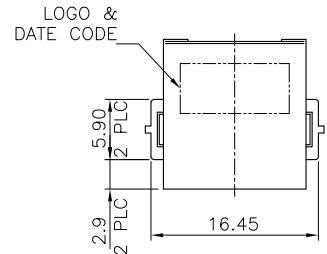


THIS DRAWING IS UNPUBLISHED. RELEASED FOR PUBLICATION AUG. 2006.
 © COPYRIGHT BY TYCO ELECTRONICS CORPORATION. ALL RIGHTS RESERVED.

LOC	DIST	REVISIONS					
DW	-	P	LTR	DESCRIPTION	DATE	DWN	APVD
		B		ECR-12-012115	26OCT12	EL	WK



RECOMMENDED PCB LAYOUT
 TOLERANCE: ±0.05 (TOP VIEW)

NOTE:

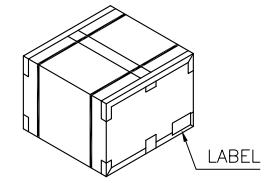
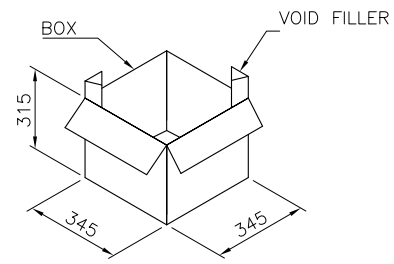
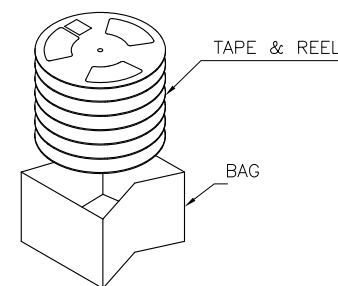
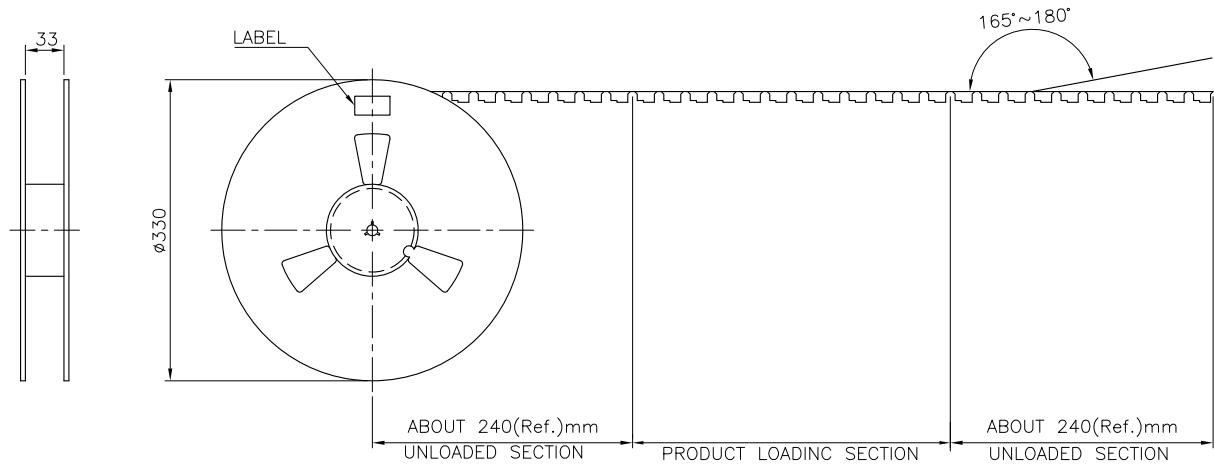
- MATERIAL:
 HOUSING: PA9T, WITH 30% GF, UL94 V-0, BLACK COLOR.
 INSERT HOUSING: PA46, WITH 30% GF, UL94 V-0, BLACK COLOR.
 CONTACTS: PHOSPHOR BRONZE.
 SHELL: BRASS.
- FINISH:
 CONTACTS: (SEE TABLE) GOLD PLATED ON CONTACT AREA, GOLD FLASH ON SOLDER TAIL, WITH ENTIRE CONTACT UNDERPLATED.
 1.27µm [50µ"] MIN. NICKEL.
 SHELL: 0.508µm [20µ"] MIN. NICKEL PLATED.
- RECOMMENDED PCB THICKNESS: 1.2mm.
- REFLOW SOLDER CAPABLE TO 260°C PER TEC-109-201, CONDITION B.

OBSOLETE	1.37µm [50µ"]	-2041126-4-
	0.762µm [30µ"]	-2041126-3-
	0.381µm [15µ"]	-2041126-2-
	0.152µm [6µ"]	2041126-1
	MIN. GOLD THICKNESS	PART NUMBER

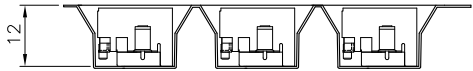
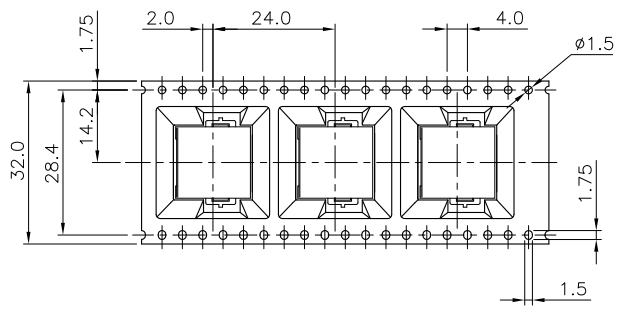
THIS DRAWING IS A CONTROLLED DOCUMENT.		DWN	B. HSING	09MAR2009	 TE Connectivity	MODULAR JACK, RJ45, SMT TYPE
DIMENSIONS: MM		CHK	S. CHIEN	09MAR2009		
TOLERANCES UNLESS OTHERWISE SPECIFIED:		APVD	W. KODAMA	09MAR2009		
0 PLC ± - 1 PLC ± 0.30 2 PLC ± 0.20 3 PLC ± 0.15 4 PLC ± - ± 3°		NAME				
MATERIAL: SEE NOTE		FINISH	SEE NOTE		PRODUCT SPEC	108-57752
					QUALIFICATION TEST REPORT	501-97964
					WEIGHT	2.45 GRAMS
					SIZE	A3
					CAGE CODE	-
					DRAWING NO	©=2041126
					RESTRICTED TO	-
					CUSTOMER DRAWING	
					SCALE	-
					SHEET	1 OF 2
					REV	B

THIS DRAWING IS UNPUBLISHED. RELEASED FOR PUBLICATION AUG., 2006.
 © COPYRIGHT - BY TYCO ELECTRONICS CORPORATION. ALL RIGHTS RESERVED.

LOC		DIST		REVISIONS					
DW		-		P	LTR	DESCRIPTION	DATE	DWN	APVD
SEE SHEET 1.									



USER DIRECTION OF UNREELING →



6.5 Kg	4.5 Kg	230	8	1840 PCS
GROSS WEIGHT (Ref.)	NET WEIGHT (Ref.)	PCS/REEL	REELS /BOX	QUANTITY

THIS DRAWING IS A CONTROLLED DOCUMENT.		DWN	TE Connectivity MODULAR JACK, RJ45, SMT TYPE				
DIMENSIONS: MM		CHK				NAME	
TOLERANCES UNLESS OTHERWISE SPECIFIED:		APVD				SIZE	
0 PLC ± 1 PLC ± 2 PLC ± 3 PLC ± 4 PLC ± ANGLES ±		PRODUCT SPEC				CAGE CODE	
MATERIAL		APVD	DRAWING NO		RESTRICTED TO		
FINISH		PRODUCT SPEC	C=2041126				
		APPLICATION SPEC	WEIGHT				
		WEIGHT	A3				
		CUSTOMER DRAWING	SCALE		SHEET 2 of 2		
			REV B				

X-ON Electronics

Largest Supplier of Electrical and Electronic Components

Click to view similar products for [Modular Connectors / Ethernet Connectors](#) category:

Click to view products by [TE Connectivity](#) manufacturer:

Other Similar products are found below :

[8949-H88/06BLKA/SN](#) [74441-0010/BKN](#) [MP1010RX-1000](#) [MP44RX-1000](#) [PHJ-4P4C-1-V-4](#) [PHP-6P6C-5](#) [GAX-3-66](#) [GAX-8-62](#) [GDCX-PA-66-50](#) [GDCX-PN-64](#) [GDCX-PN-66](#) [GDCX-PN-66-50](#) [GDLX-A-66](#) [GDLX-N-66](#) [GDLX-S-66](#) [GDLX-S-88K](#) [GDTX-S-88-50](#) [GDX-PA-1010](#) [GLX-N-1010M-BLK](#) [GLX-S-88M-BLK](#) [GMX-N-1010](#) [GMX-S-1010](#) [GMX-S-66](#) [GMX-SMT4-N-88](#) [GPX-2-64](#) [GSGX-N-2-88](#) [GSGX-N-4-88](#) [GSX-NS2-88-3.05](#) [GSX-NS2-88-3.05-50](#) [GSX-NS-88-3.05-50](#) [PT-108A-8C-UL](#) [PT-J951-8C](#) [PTS-J531-8CS-50UL](#) [1-1775629-2](#) [A-2014-0-4](#) [GWLX-S-88-GR](#) [GWLX-S9-88-YG](#) [DC-1021-8-WH-6](#) [1300530003](#) [1324640-4](#) [RJ11FTVC2G](#) [RJ11FTVC2N](#) [RJFTVX2SA1G](#) [132764-001](#) [1413235](#) [MP88X-1000](#) [MPS88RX-5000](#) [E5288-S000K3-L](#) [E5908-15A242-L](#) [155302-001](#)