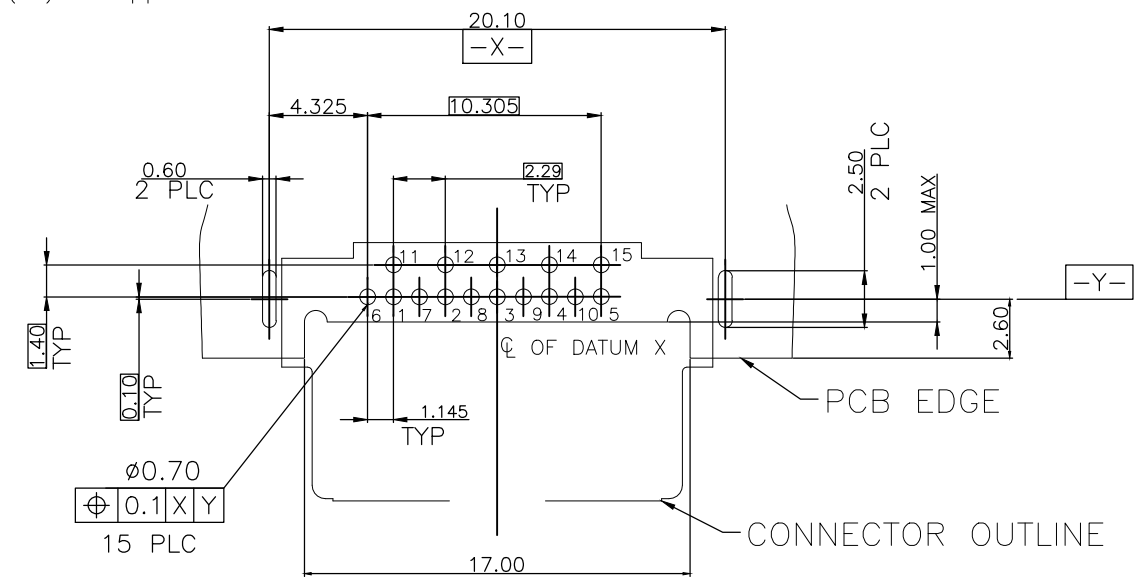
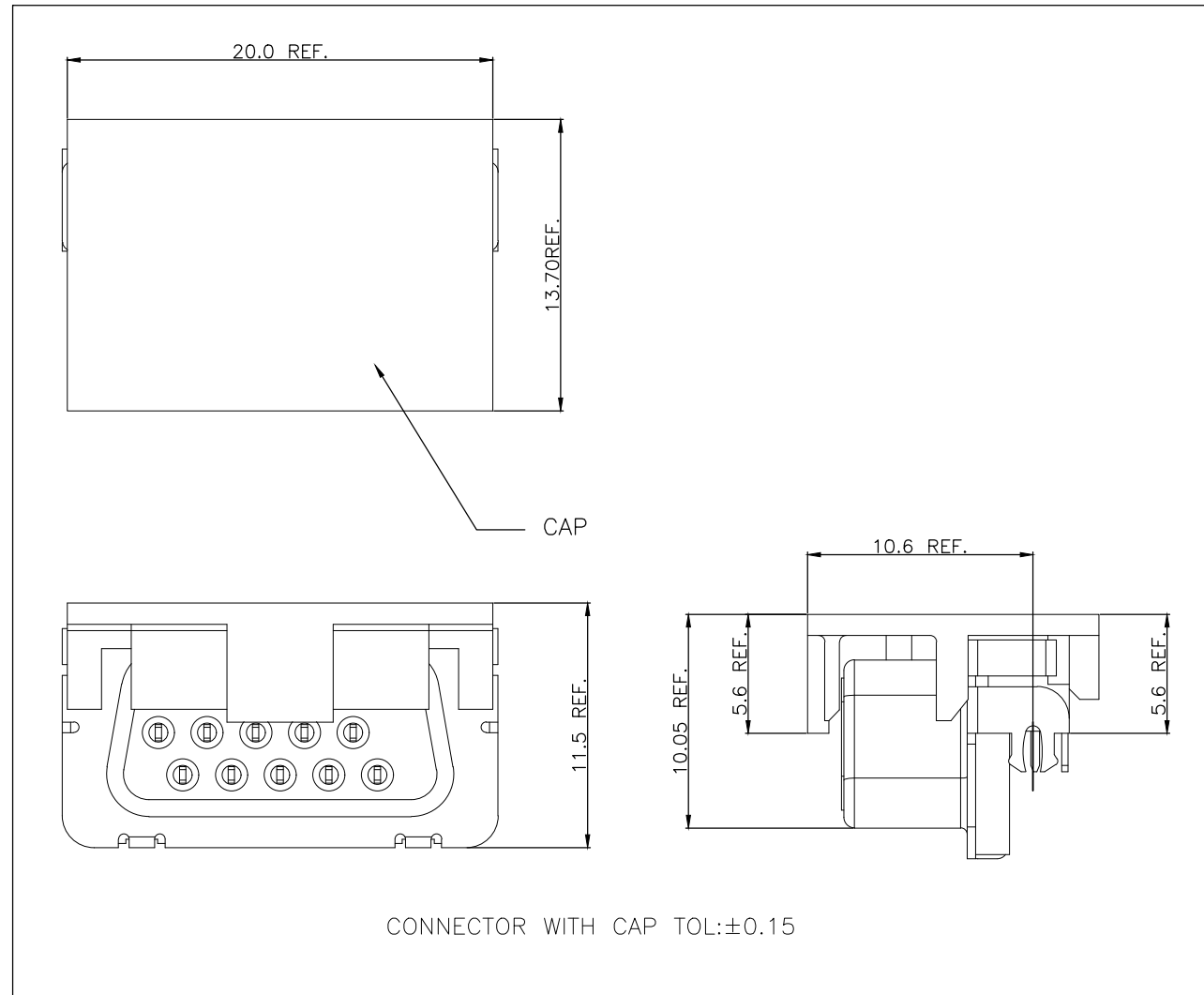


P	LTR	DESCRIPTION	DATE	DWN	APVD
	B2	ECO-20-015836	09NOV2020	RR	SH

NOTES:

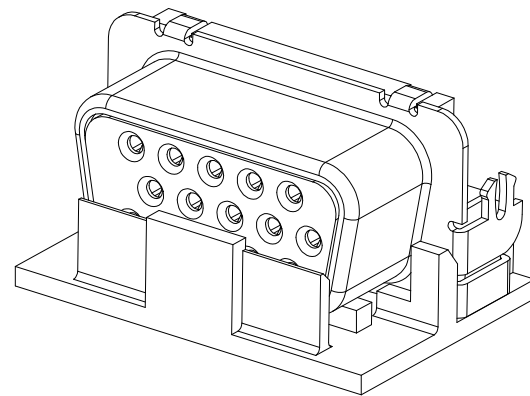
- MATERIAL:
HOUSING: PA9T WITH 30% GF, UL 94V-0, COLOR: BLACK. OR LCP WITH 30% GF, UL 94V-0, COLOR: BLACK.
CAP: PA9T WITH 30% GF, UL 94V-0, COLOR: BLACK. OR LCP WITH 30% GF, UL 94V-0, COLOR: BLACK.
CONTACTS: BRASS.
SHELL: SPCC.
- FINISH:
CONTACTS: GOLD FLASH PLATED ON CONTACT AREA, 2.54um[100u"] MIN. MATTE-TIN PLATED ON SOLDER TAIL, 1.27um[50u"] MIN. NICKEL UNDERPLATED OVER ALL.
SHELL: 2.54um[100u"] MIN. NICKEL OR PLATED. OR 2.54um[100u"] MIN. BLACK NICKEL PLATED.
- RECOMMENDED PCB THICKNESS: 1.2mm.
- REFLOW SOLDER CAPABLE TO 260°C PER TE TEST SPEC. 109-201, CONDITION B.
- NO BOARD LOCK FUNCTION.
- LOW HALOGEN SPECIFICATION: (P/N: 2041127-4)
CHLORINE(Cl): 900ppm MAX.
BROMINE(Br): 900ppm MAX.



5 RECOMMENDED P.C.B LAYOUT(T=1.20mm)
TOP VIEW, TOLERANCE: ±0.05

OBSOLETE

OBSOLETE	6	LOW HALOGEN	BLACK NICKEL	LCP	LCP	2041127-4
OBSOLETE		WITH	NICKEL	PA9T	PA9T	2041127-1
		HALOGEN	SHELL PLATING	CAP MATERIAL	HOUSING MATERIAL	PART NUMBER



THIS DRAWING IS A CONTROLLED DOCUMENT.		DWN	B. HSING	05MAR2009	TE Connectivity D-SUB, 15P, R/A, SLIM, RVS, DIP									
DIMENSIONS: mm		CHK	S. CHIEN	05MAR2009										
TOLERANCES UNLESS OTHERWISE SPECIFIED:		APVD	W. KODAMA	05MAR2009										
0 PLC ± - 1 PLC ± 0.30 2 PLC ± 0.20 3 PLC ± 0.15 4 PLC ± - ANGLES ± 3 Deg		PRODUCT SPEC	108-57751											
MATERIAL	SEE NOTE	FINISH	SEE NOTE	WEIGHT	0	NAME	-							
				APPLICATION SPEC			SIZE	A3	CAGE CODE	00779	DRAWING NO	C-2041127	RESTRICTED TO	-
				CUSTOMER DRAWING			SCALE	1:1	SHEET	1 OF 5	REV	B2		

X-ON Electronics

Largest Supplier of Electrical and Electronic Components

Click to view similar products for [D-Sub Standard Connectors](#) category:

Click to view products by [TE Connectivity](#) manufacturer:

Other Similar products are found below :

[56F711-015](#) [012-9507-004](#) [LV242999-142T12](#) [015-0341-000](#) [015-0372-005](#) [015-0372-008](#) [015-8755-001](#) [020419-0104](#) [012-0467-000](#) [012-0515-000](#) [012-9507-034](#) [012-9507-114](#) [020745-0008](#) [609-25P](#) [M24308/2-23Z](#) [CT2-14S-2PCA34](#) [CT2-18-11PCAU](#) [CT2-36-15SC](#) [CT6-14S-2SC](#) [CT6E14SA7SC](#) [CT6E22-14PC](#) [CT6E22-14PS](#) [CT6E22-22PS](#) [M83513/01-FC](#) [M85049/48-3-2F](#) [6STD09PCM99B70X](#) [6STD09SCM99B30X](#) [6STD09SCT99S40X](#) [6STD15PCT99S40X](#) [6STD15SCM99B30X](#) [6STD15SCT99S40X](#) [6STF09PCM05B70X](#) [7-135760-9](#) [MC11E-10-6SN](#) [747552-3](#) [MD1-21PS](#) [MDM-15SCBRM7-F222](#) [MDM96517-699](#) [MDM96521-744](#) [MDVB1-21SL1](#) [MIK0-1-7SH003](#) [MIKQ6-7SH076](#) [MIKQ7-7PH077](#) [MIKQ7-7PH11](#) [MIKQ7-7PH32](#) [MIKQ9-7PH003](#) [MJSV-28SL61](#) [MKJ4A1F14-55S](#) [8-135760-3](#) [8STD09PCM99B30X](#)