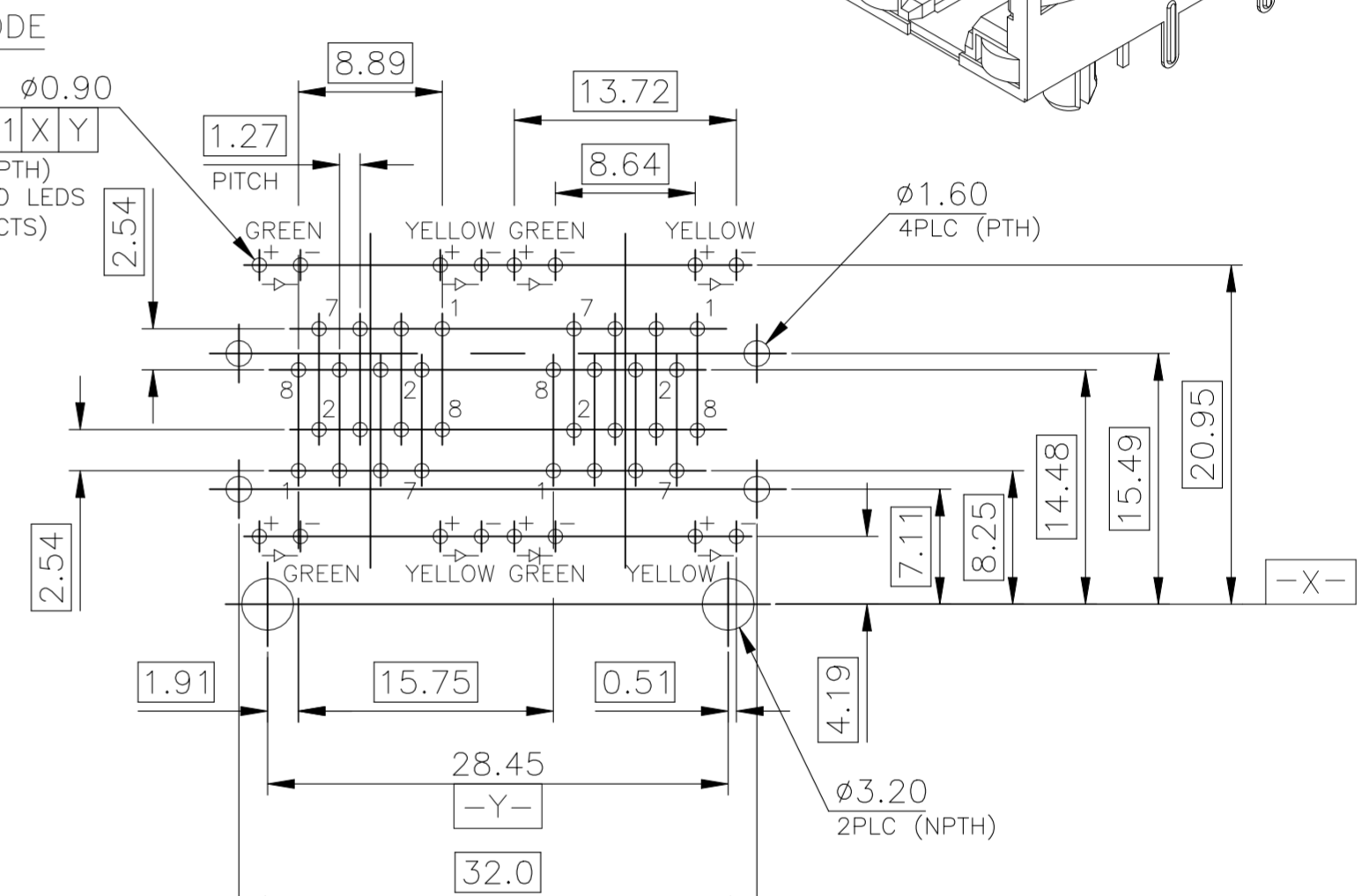
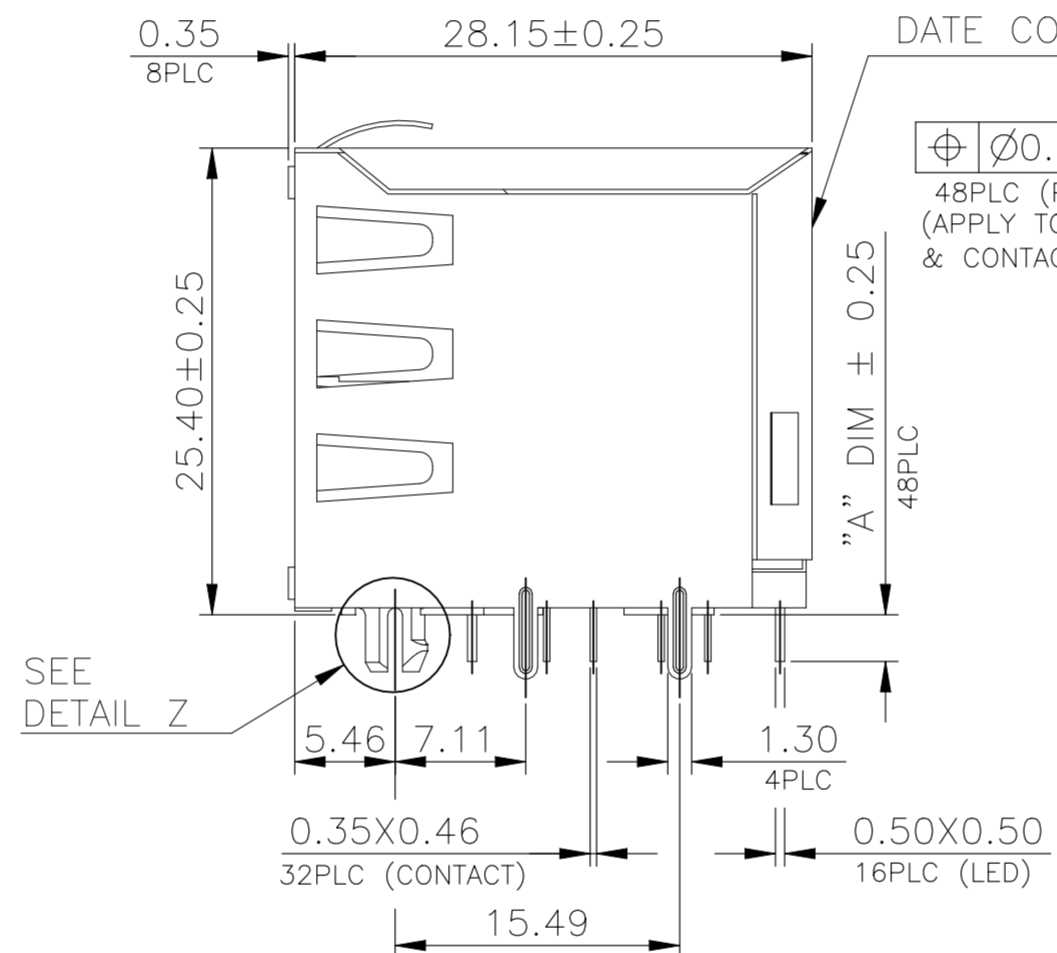
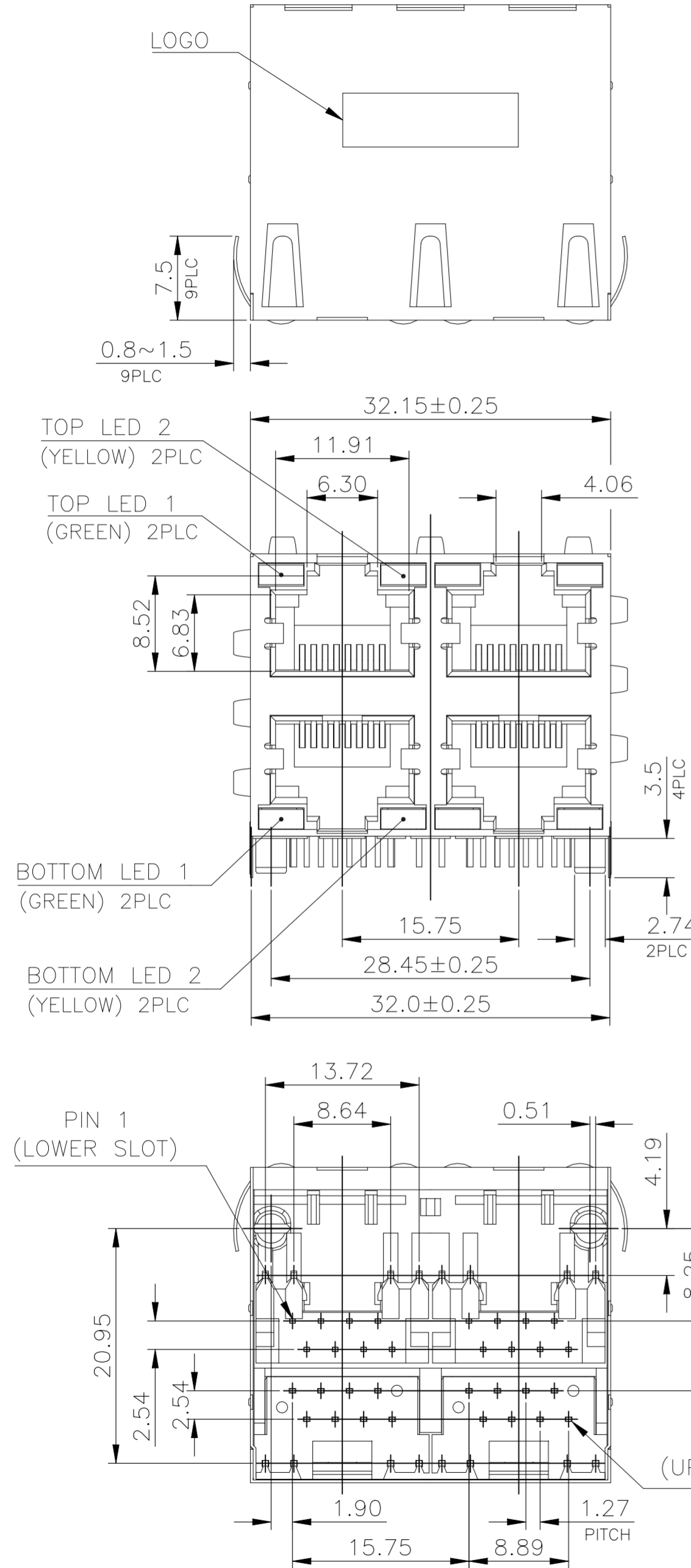
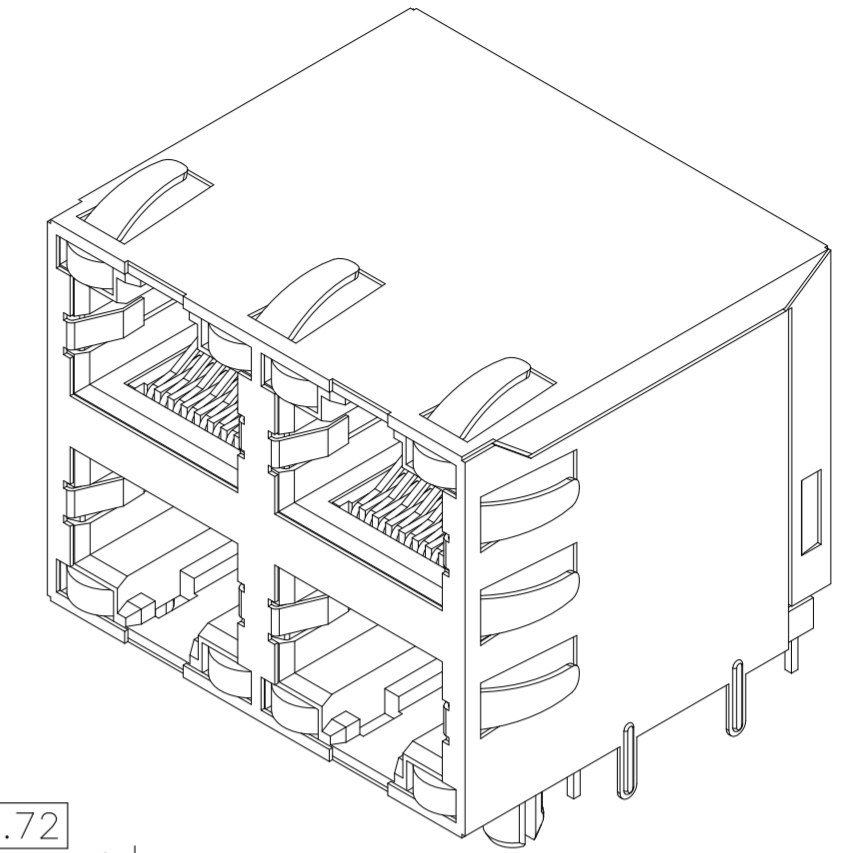


REVISIONS					
P	LTR	DESCRIPTION	DATE	DWN	APVD
B1	ECR-21-104417		02JUN2021	RR	SZ

NOTE:

- MATERIAL:
 - HOUSING: PA46, WITH 30% GF, UL94 V-0, BLACK COLOR.
 - CONTACTS: PHOSPHOR BRONZE.
 - SHELL: BRASS.
 - LED SOLDER TAIL: STEEL.
- FINISH:
 - CONTACTS: GOLD PLATING SPEC ON CONTACT AREA PLEASE REFER TO PN SHEET(B1), GOLD FLASH ON SOLDER TAIL, 1.27mm [50μ"] MIN. NICKEL UNDERPLATED OVERALL.
 - SHELL: 0.508mm [20μ"] MIN. NICKEL PLATED.
 - LED SOLDER TAIL: 2.54mm [100μ"] MIN. BRIGHT-TIN PLATED.
- WAVE SOLDER CAPABLE TO 265°C PER TE SPEC. 109-202, CONDITION B.

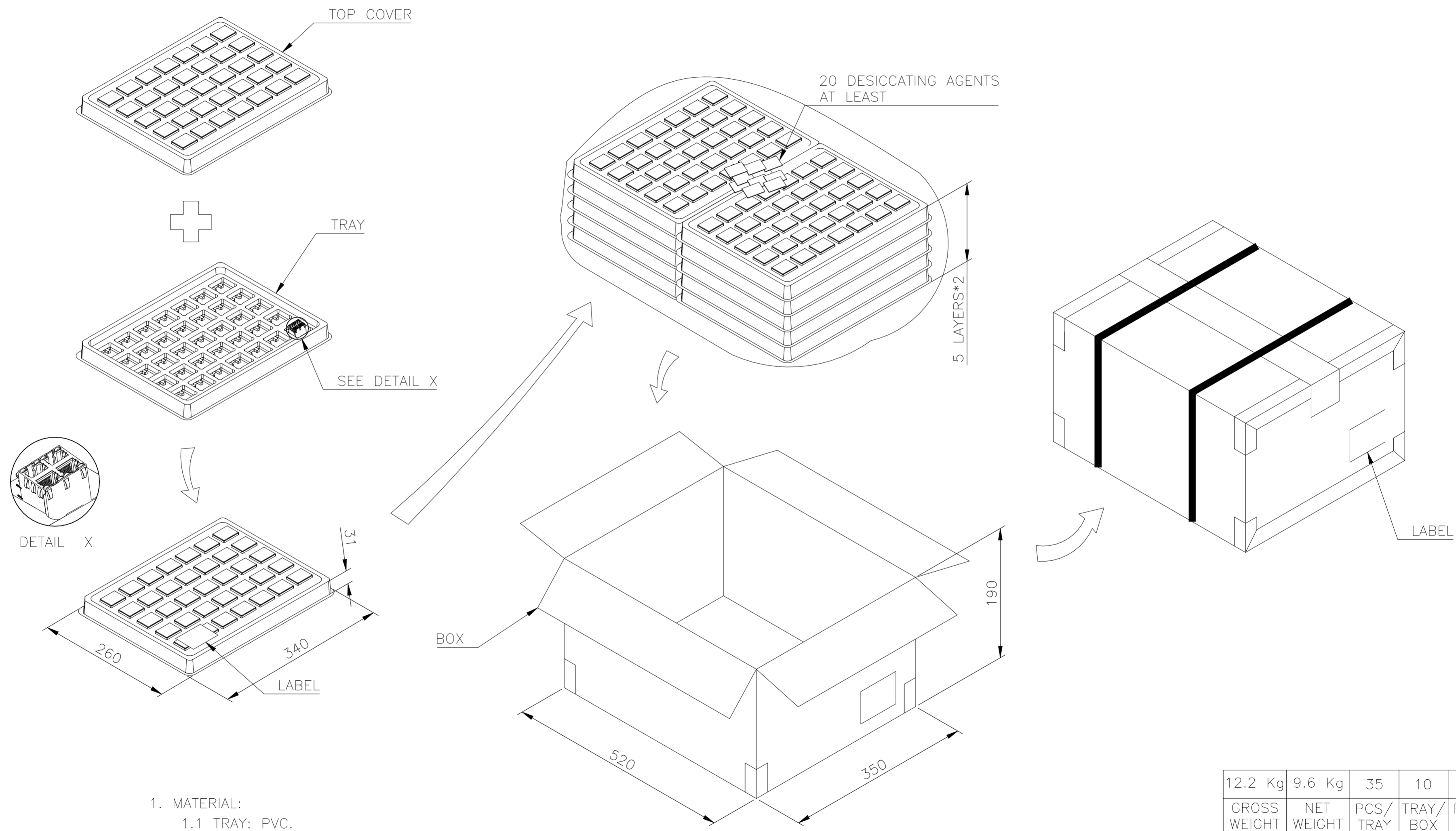


RECOMMENDED PCB LAYOUT (THICKNESS: 1.6MM)
(DIMENSION TOLERANCE: 1 PLC: ±0.1, 2 PLC:±0.05)

3.50	0.75um [30u"]	2041376-4
2.54	0.75um [30u"]	2041376-2
2.54	0.152um [6u"]	2041376-1
"A" DIM	GOLD PLATING	PART NUMBER

THIS DRAWING IS A CONTROLLED DOCUMENT.		DWN E.LIU 05JUL2011	TE Connectivity	
DIMENSIONS: mm		CHK S.CHEN 05JUL2011	NAME MODULAR JACK, CONNECTOR, RJ 45, LED 2X2 SIDE ENTRY, SHIELDED, DIP TYPE H=25.4	
TOLERANCES UNLESS OTHERWISE SPECIFIED: 0 PLC ± - 1 PLC ± 0.3 2 PLC ± 0.2 3 PLC ± 0.105 4 PLC ± - ANGLES ± 3°		APVD W. KODAMA 05JUL2011	PRODUCT SPEC 108-57879	
MATERIAL SEE NOTE		FINISH SEE NOTE	WEIGHT 27.45GRAM	RESTRICTED TO -
		CUSTOMER DRAWING	SCALE 1:1	SHEET 1 OF 2
			REV B1	

P	LTR	DESCRIPTION	DATE	DWN	APVD
-	-	SEE SHEET 1	-	-	-



1. MATERIAL:
 - 1.1 TRAY: PVC.
 - 1.2 BOX: CORRUGATED FIBER.
 - 1.3 BAG: PE.
2. DIMENSION: SEE DRAWING
3. QUANTITY: SEE TABLE
4. WEIGHT: SEE TABLE
5. EACH BAG SHALL BE INCLUDED:
 - * DESICCANT

THIS DRAWING IS A CONTROLLED DOCUMENT.

DWN E.LIU 05JUL2011		TE Connectivity MODULAR JACK, CONNECTOR, RJ 45, LED 2X2 SIDE ENTRY, SHIELDED, DIP TYPE H=25.4				
CHK S.CHEN 05JUL2011						
APVD W. KODAMA 05JUL2011						
PRODUCT SPEC 108-57879						
MATERIAL SEE NOTE	FINISH SEE NOTE	WEIGHT 27.45GRAM	SIZE A2	CAGE CODE 00779	DRAWING NO C=2041376	RESTRICTED TO -
CUSTOMER DRAWING			SCALE 1:1	SHEET 2 OF 2	REV B1	

X-ON Electronics

Largest Supplier of Electrical and Electronic Components

Click to view similar products for [Modular Connectors / Ethernet Connectors](#) category:

Click to view products by [TE Connectivity](#) manufacturer:

Other Similar products are found below :

[8949-H88/06BLKA/SN](#) [74441-0010/BKN](#) [MP1010RX-1000](#) [MP44RX-1000](#) [PHJ-4P4C-1-V-4](#) [PHP-6P6C-5](#) [GAX-3-66](#) [GAX-8-62](#) [GDCX-PA-66-50](#) [GDCX-PN-64](#) [GDCX-PN-66](#) [GDCX-PN-66-50](#) [GDLX-A-66](#) [GDLX-N-66](#) [GDLX-S-66](#) [GDLX-S-88K](#) [GDTX-S-88-50](#) [GDX-PA-1010](#) [GLX-N-1010M-BLK](#) [GLX-S-88M-BLK](#) [GMX-N-1010](#) [GMX-S-1010](#) [GMX-S-66](#) [GMX-SMT4-N-88](#) [GPX-2-64](#) [GSGX-N-2-88](#) [GSGX-N-4-88](#) [GSX-NS2-88-3.05](#) [GSX-NS2-88-3.05-50](#) [GSX-NS-88-3.05-50](#) [PT-108A-8C-UL](#) [PT-J951-8C](#) [PTS-J531-8CS-50UL](#) [1-1775629-2](#) [A-2014-0-4](#) [GWLX-S-88-GR](#) [GWLX-S9-88-YG](#) [DC-1021-8-WH-6](#) [1300530003](#) [1324640-4](#) [RJ11FTVC2G](#) [RJ11FTVC2N](#) [RJFTVX2SA1G](#) [132764-001](#) [1413235](#) [MP88X-1000](#) [MPS88RX-5000](#) [E5288-S000K3-L](#) [E5908-15A242-L](#) [155302-001](#)