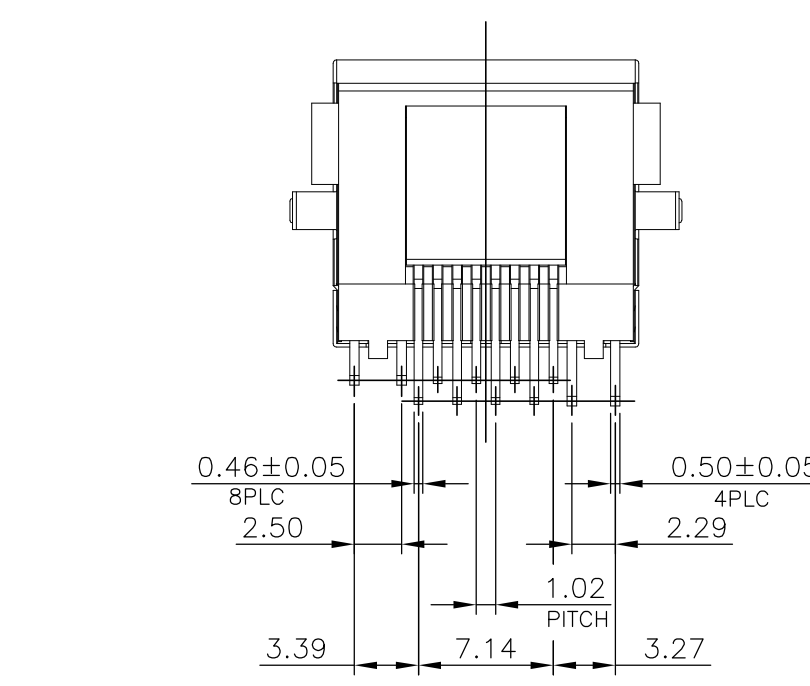
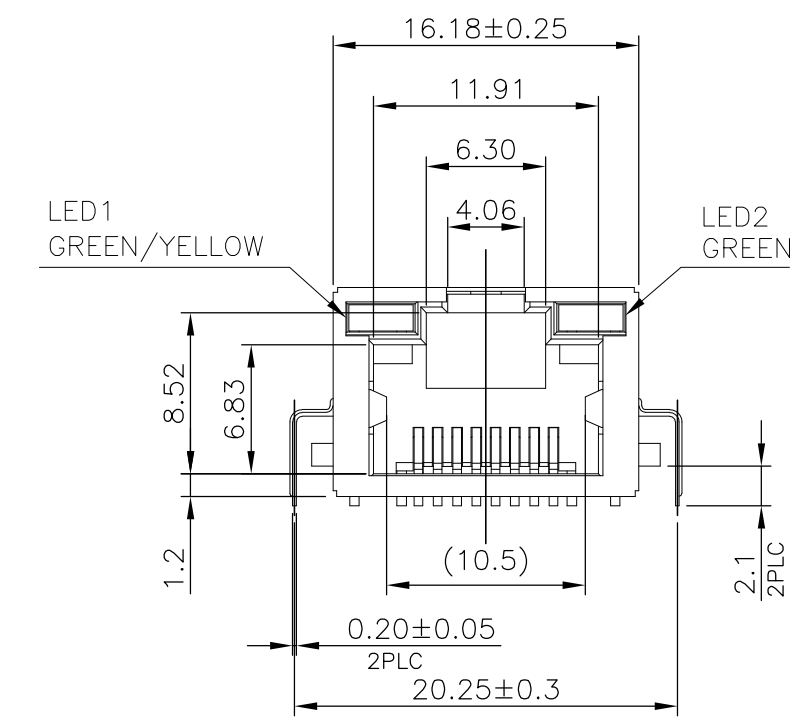
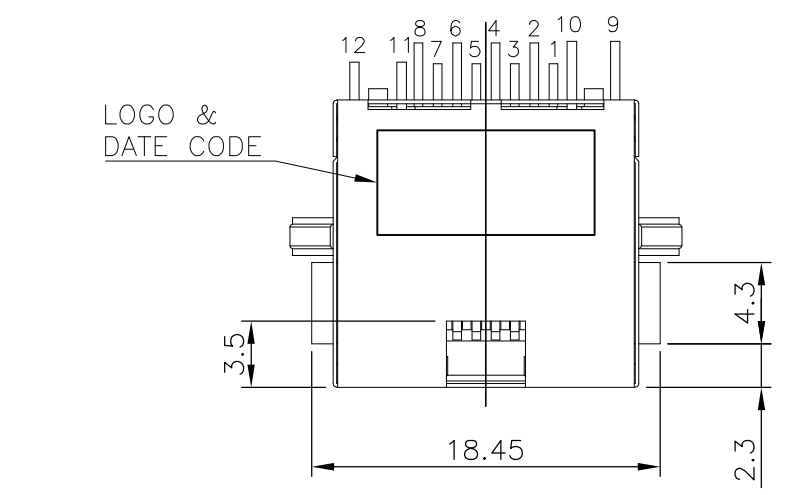


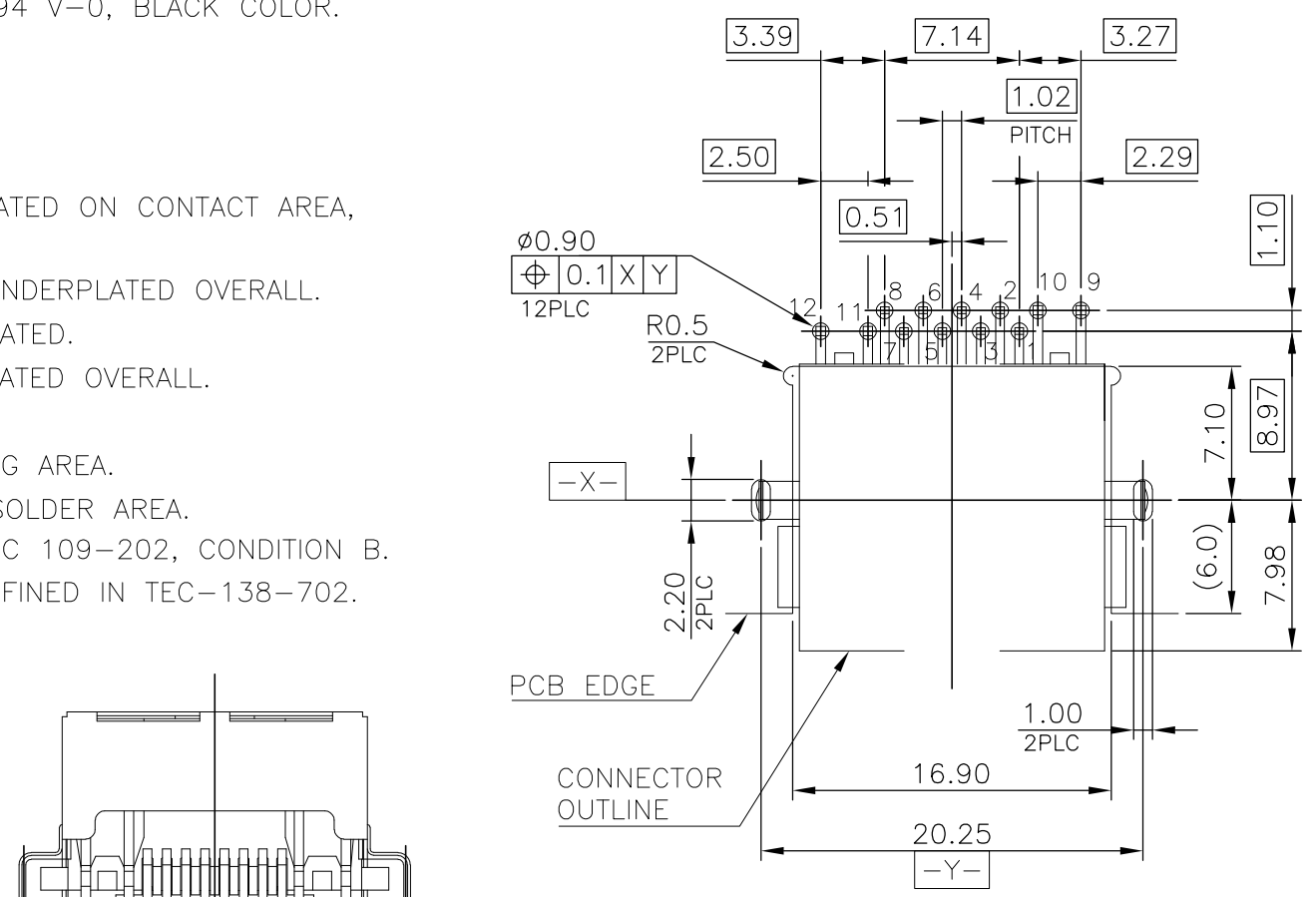
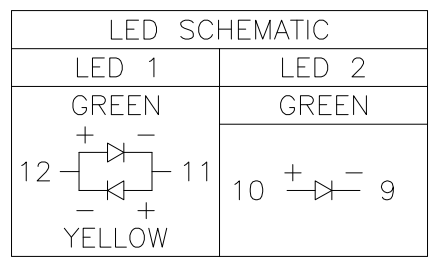
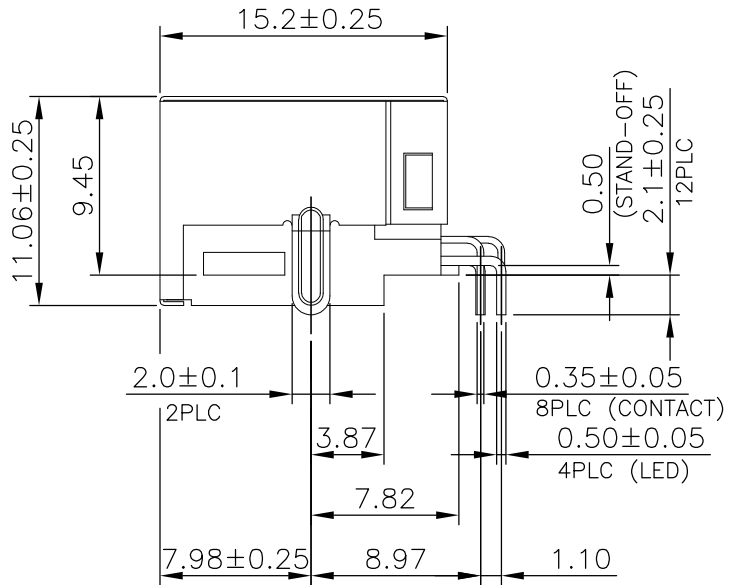
THIS DRAWING IS UNPUBLISHED. RELEASED FOR PUBLICATION
 © COPYRIGHT - TE Connectivity ALL RIGHTS RESERVED.

P	LTR	DESCRIPTION	DATE	DWN	APVD
C		ECO-17-011317	08AUG2017	LL	SH

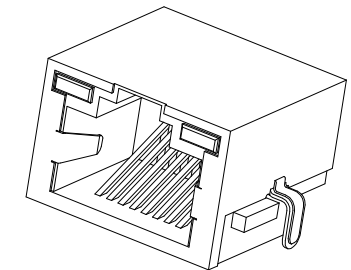
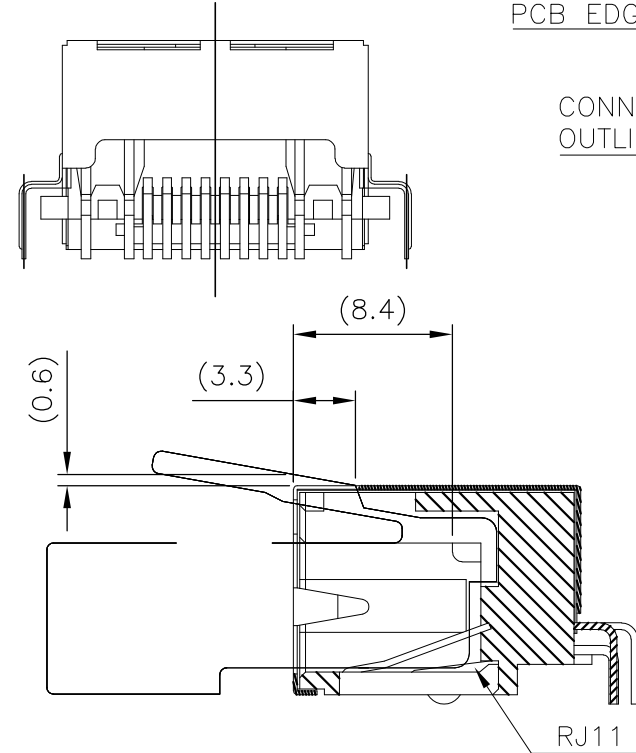


NOTE:

- MATERIAL:
 - HOUSING: SEE TABLE, WITH 30% GF, UL94 V-0, BLACK COLOR.
 - CONTACTS: PHOSPHOR BRONZE.
 - SHELL: BRASS.
 - LED SOLDER TAIL: EPOXY, STEEL.
- FINISH:
 - CONTACTS: 0.127um [5u"] MIN. GOLD PLATED ON CONTACT AREA, GOLD FLASH ON SOLDER TAIL, 1.27um [50u"] MIN. NICKEL UNDERPLATED OVERALL.
 - SHELL: 0.508um [20u"] MIN. NICKEL PLATED.
 - LED: 1.016um [40u"] COPPER UNDERPLATED OVERALL. 1.27um [50u"] NICKEL OVERALL. 1.27um [50u"] SILVER ON BONDING AREA. 2.54um [100u"] BRIGHT-TIN ON SOLDER AREA.
- WAVE SOLDER CAPABLE TO 265°C PER TE SPEC 109-202, CONDITION B.
 ▲ THE PART SHOULD MEET LOW BR/CL/F AS DEFINED IN TEC-138-702.



RECOMMENDED PCB LAYOUT
 RECOMMENDED PCB THICKNESS: 1.2mm.
 TOLERANCE: ±0.05 (TOP VIEW)



MATING WITH RJ-45 PLUG (REFERENCE)

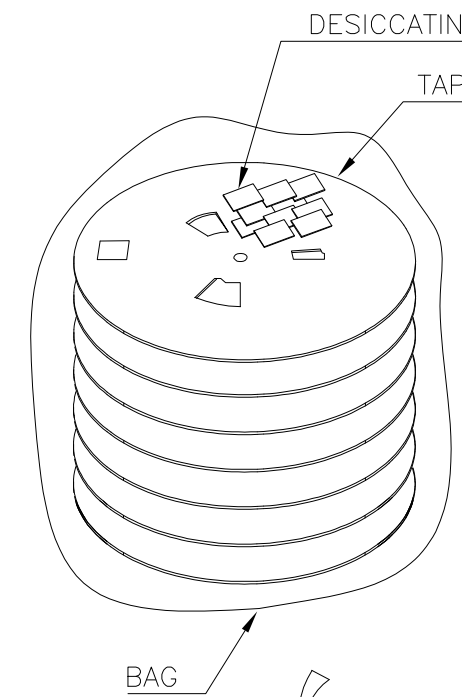
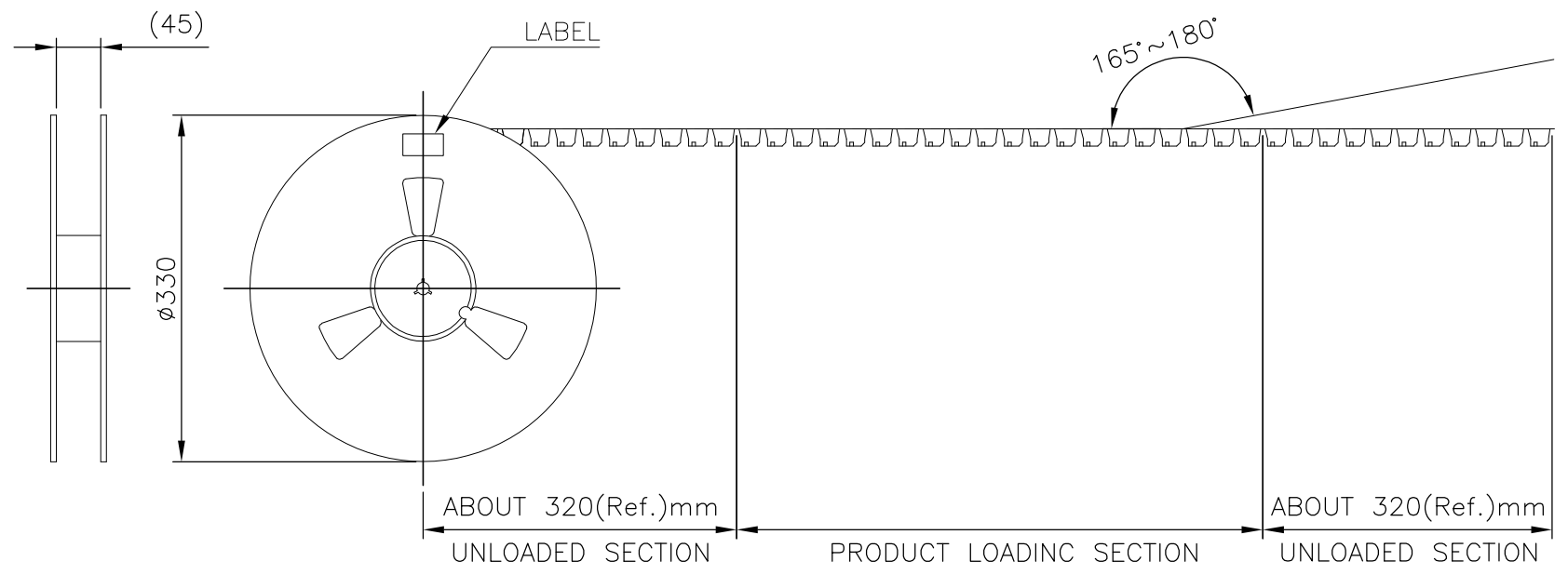
RJ11 PREVENTER

▲	LCP	2041411-2
	PA9T	2041411-1
	MATERIAL	PART NUMBER

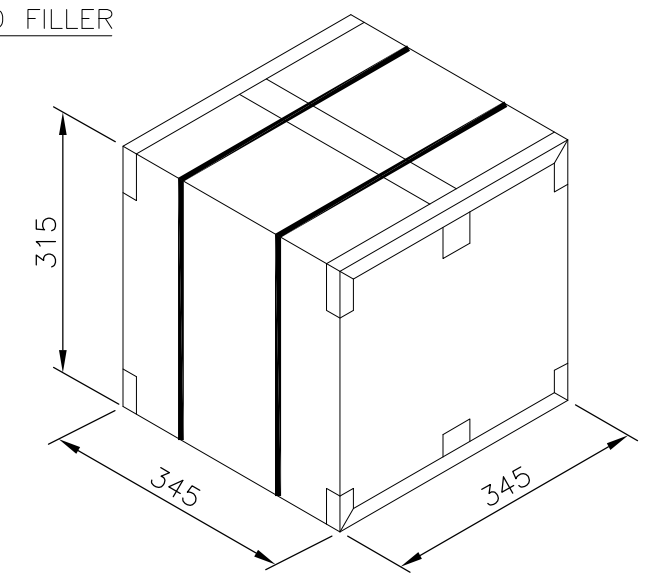
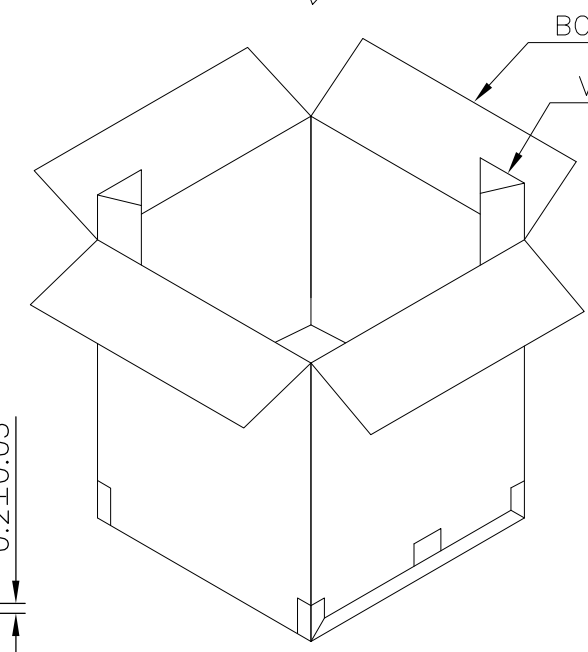
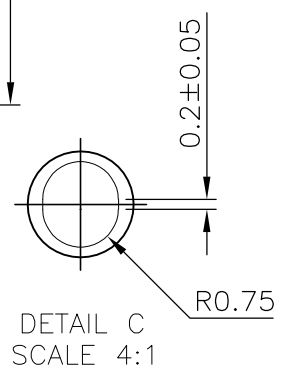
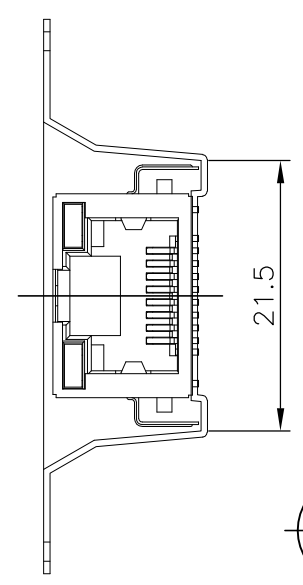
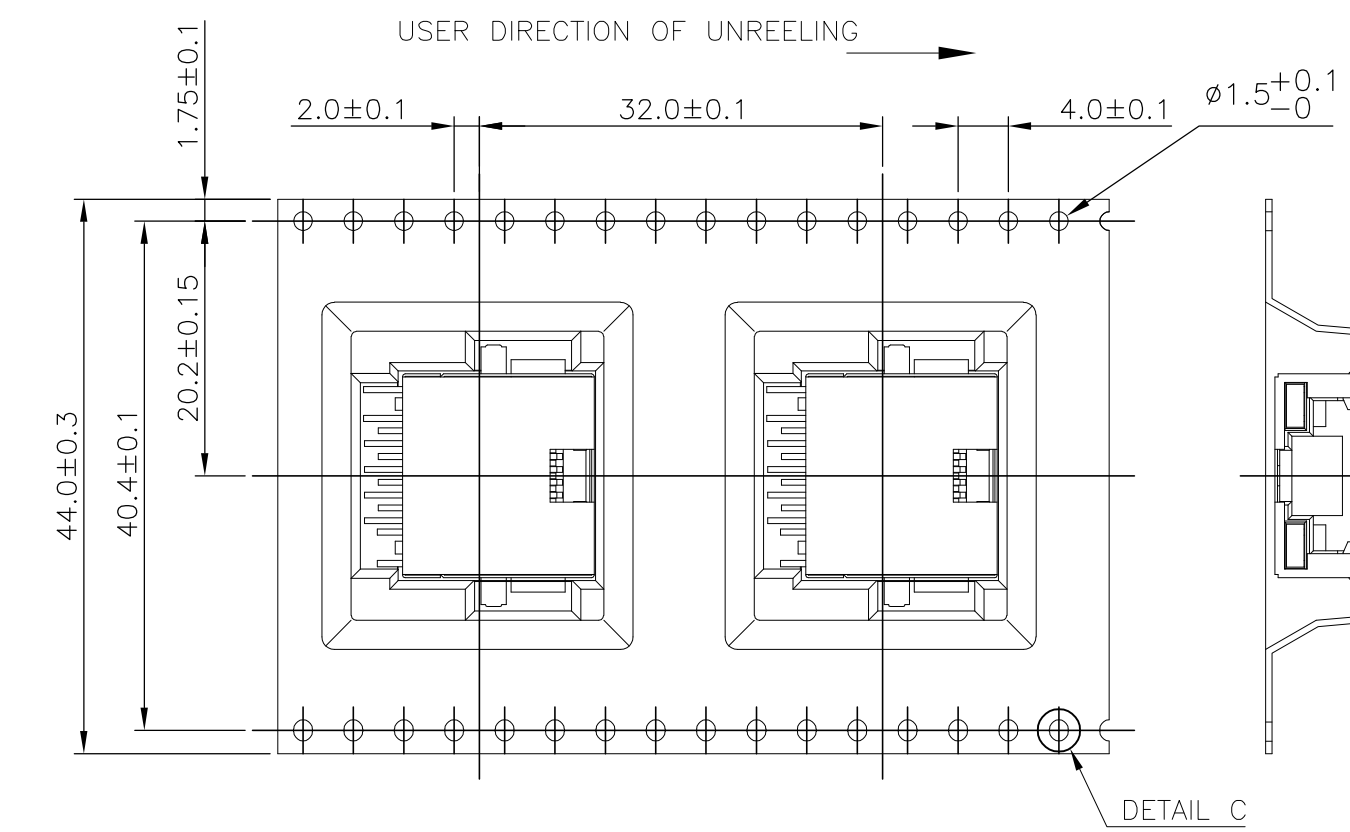
THIS DRAWING IS A CONTROLLED DOCUMENT.		DWN E. LIU 13DEC2011	TE Connectivity		
DIMENSIONS: mm		CHK S. CHIEN 13DEC2011			
TOLERANCES UNLESS OTHERWISE SPECIFIED:		APVD W. KODAMA 13DEC2011	NAME		
0 PLC ± -		PRODUCT SPEC		MODULAR JACK ASSY	
1 PLC ± 0.3		108-57857		RJ45 WITH LED, 8P8C, TAB UP	
2 PLC ± 0.2		APPLICATION SPEC		SHIELDED, OFFSET, DIP TYPE	
3 PLC ± 0.15		-		SIZE	CAGE CODE
4 PLC ± -		WEIGHT 3.2 GRAMS		DRAWING NO	
ANGLES ± 3'		CUSTOMER DRAWING		RESTRICTED TO	
FINISH -		A3 00779 C-2041411		SCALE 1:1	
				SHEET 1 OF 2	
				REV C	

THIS DRAWING IS UNPUBLISHED. RELEASED FOR PUBLICATION
 © COPYRIGHT - TE Connectivity ALL RIGHTS RESERVED.

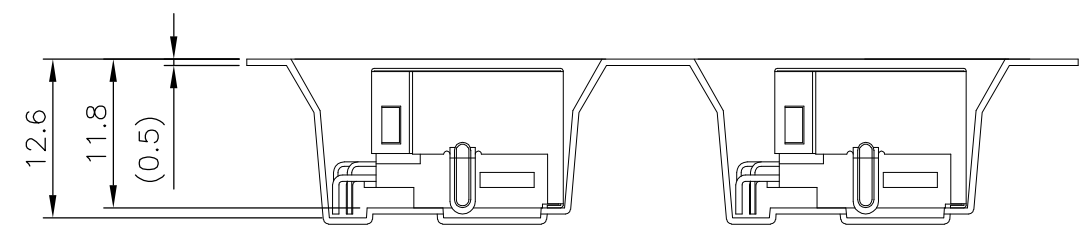
REVISIONS				
P	LTR	DESCRIPTION	DATE	APVD
-	-	SEE SHEET 1	-	-



- NOTE:
- PACKAGING MATERIAL:
 - COVER TAPE: COMPOSITE OF POLYETHYLENE TEREPHTHALATE (PET)
 - CARRIER: POLYSTYRENE (PS)
 - CARRIER REEL: POLYSTYRENE
 - BAG: PET
 - BOX: CORRUGATED FIBER.
 - EACH BAG SHALL BE INCLUDED: *DESICCANT
 - PEELING STRENGTH: 0.1~1.3N(1~130 GRAMS) FOR 12~56mm WIDE CARRIER TAPES
 - PEELING SPEED: 300mm/MINUTES.



6.50KG	2.88KG	150	6	900
GROSS WEIGHT	NET WEIGHT	PCS/ REEL	REEL/ BOX	PCS/ BOX



THIS DRAWING IS A CONTROLLED DOCUMENT.		DWN E. LIU 13DEC2011	TE Connectivity		
		CHK S. CHIEN 13DEC2011			
		APVD W. KODAMA 13DEC2011	NAME		
DIMENSIONS: mm		PRODUCT SPEC		MODULAR JACK ASSY	
TOLERANCES UNLESS OTHERWISE SPECIFIED: 0 PLC ± - 1 PLC ± 0.3 2 PLC ± 0.2 3 PLC ± 0.15 4 PLC ± - ANGLES ± 3°		APPLICATION SPEC		RJ45 WITH LED, 8P8C, TAB UP SHIELDED, OFFSET, DIP TYPE	
MATERIAL		WEIGHT		SIZE	RESTRICTED TO
-		-		A300779	-
		CUSTOMER DRAWING		DRAWING NO	SCALE
				C-2041411	1:1
				SHEET	REV
				2 OF 2	C

X-ON Electronics

Largest Supplier of Electrical and Electronic Components

Click to view similar products for [Modular Connectors / Ethernet Connectors](#) category:

Click to view products by [TE Connectivity](#) manufacturer:

Other Similar products are found below :

[8949-H88/06BLKA/SN](#) [74441-0010/BKN](#) [MP1010RX-1000](#) [MP44RX-1000](#) [PHJ-4P4C-1-V-4](#) [PHP-6P6C-5](#) [GAX-3-66](#) [GAX-8-62](#) [GDCX-PA-66-50](#) [GDCX-PN-64](#) [GDCX-PN-66](#) [GDCX-PN-66-50](#) [GDLX-A-66](#) [GDLX-N-66](#) [GDLX-S-66](#) [GDLX-S-88K](#) [GDLX-SMT-S-88](#) [GDTX-S-88-50](#) [GDX-PA-1010](#) [GLX-N-1010M-BLK](#) [GLX-S-88M-BLK](#) [GMX-N-1010](#) [GMX-S-1010](#) [GMX-S-66](#) [GMX-SMT4-N-88](#) [GPX-2-64](#) [GSGX-N-2-88](#) [GSGX-N-4-88](#) [GSX-NS2-88-3.05](#) [GSX-NS2-88-3.05-50](#) [GSX-NS-88-3.05-50](#) [PT-108A-8C-UL](#) [PT-J951-8C](#) [PTS-J531-8CS-50UL](#) [1-1775629-2](#) [A-2014-0-4](#) [GWLX-S-88-GR](#) [GWLX-S9-88-YG](#) [DC-1021-8-WH-6](#) [1300530003](#) [1324640-4](#) [RJ11FTVC2G](#) [RJ11FTVC2N](#) [RJFTVX2SA1G](#) [132764-001](#) [1413235](#) [MP88X-1000](#) [MPS88RX-5000](#) [E5288-S000K3-L](#) [E5908-15A242-L](#)