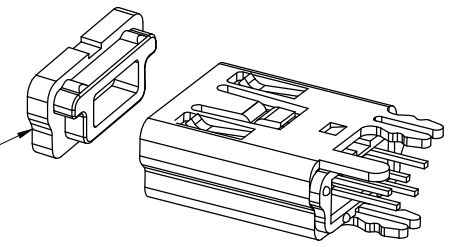
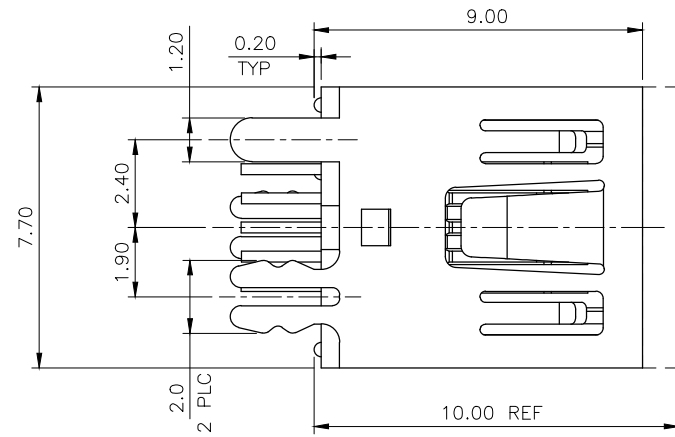
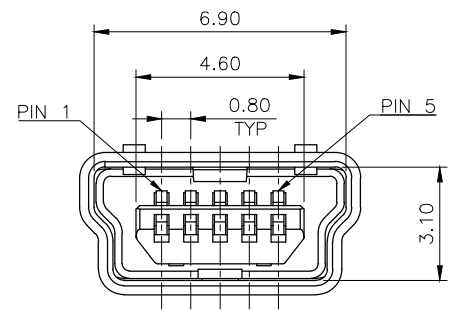
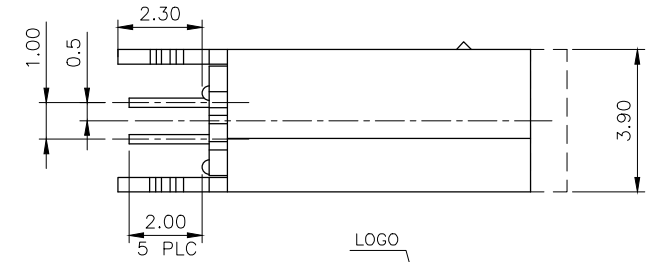
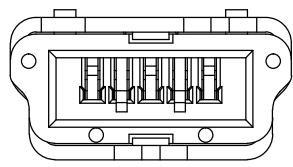


THIS DRAWING IS UNPUBLISHED. RELEASED FOR PUBLICATION  
 © COPYRIGHT 2010 BY TYCO ELECTRONICS CORPORATION. ALL RIGHTS RESERVED.

| LOC | DIST | REVISIONS   |                                     |          |           |
|-----|------|-------------|-------------------------------------|----------|-----------|
| P   | LTR  | DESCRIPTION | DATE                                | DWN      | APVD      |
| DW  |      | A1          | REVISED (ECR-14-008082), ADD NEW PN | 29MAY'14 | S.C. H.L. |



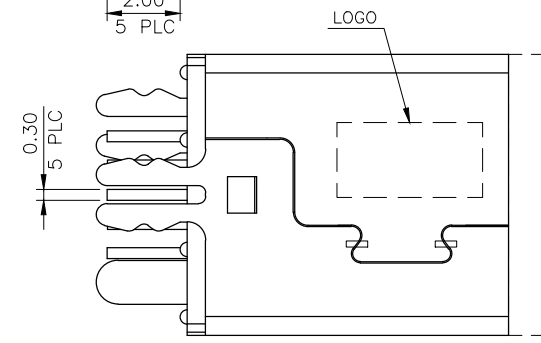
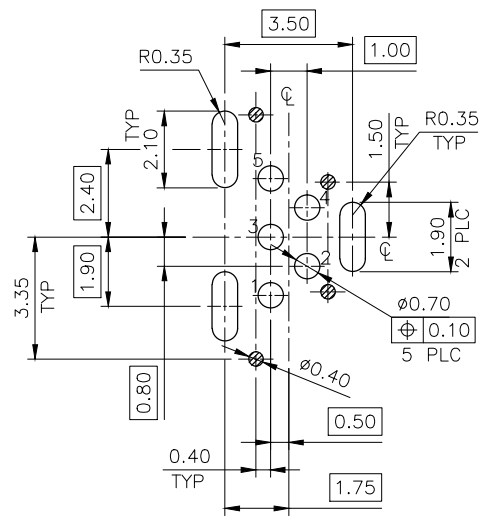
△ CAP



NOTE:

- MATERIAL:  
 HOUSING: PA9T, UL 94V-0, BLACK COLOR.  
 CAP: LCP, UL 94V-0, BLACK COLOR.  
 CONTACTS: PHOSPHOR BRONZE.  
 SHELL: PHOSPHOR BRONZE.
- FINISH:  
 CONTACTS: 0.762µm [30µ"] MIN. GOLD PLATED ON CONTACT AREA,  
 2.54µm [100µ"] MIN. MATTE TIN PLATED ON SOLDER TAIL,  
 1.27µm [50µ"] MIN. NICKEL UNDERPLATED ALL OVER.  
 SHELL: 2.54µm [100µ"] MIN. BRIGHT TIN PLATED OVER  
 1.27µm [50µ"] MIN. NICKEL UNDERPLATED ALL OVER.
- OPTION PART : CAP
- REFLOW SOLDER CAPABLE TO 260°C PER TE SPEC.  
 109-201, CONDITION B.
- CAP WEIGHT : 0.789 gram

|       |             |
|-------|-------------|
| WITH  | 2041517-2   |
| W/O   | 2041517-1   |
| CAP △ | PART NUMBER |



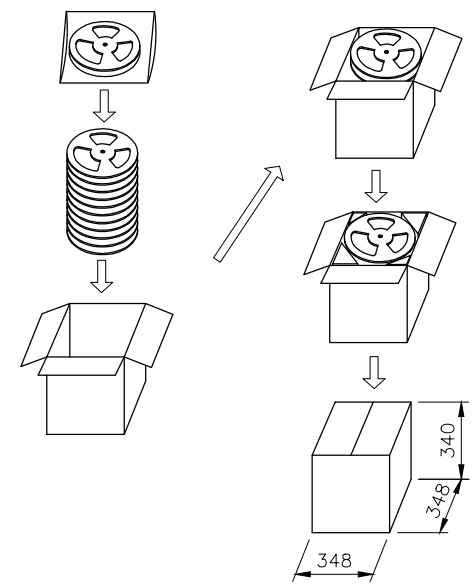
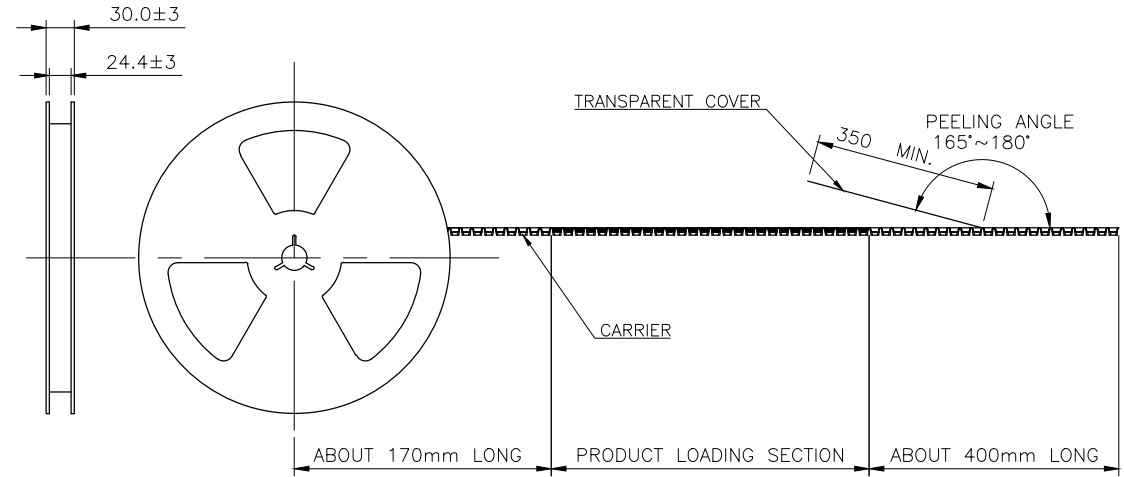
RECOMMENDED PCB LAYOUT (THICKNESS:1.6mm)  
 (DIMENSION TOLERANCE: 1PLC:±0.1 2PLC:±0.05)  
 ● KEEP OUT AREA FOR HOUSING STAND OFF

|   |  |                                |   |                    |
|---|--|--------------------------------|---|--------------------|
| THIS DRAWING IS A CONTROLLED DOCUMENT.  |  | DWN<br>J. CHEN<br>01JUN2012    | TE Connectivity   |                    |
| DIMENSIONS:<br>mm   |  | CHK<br>S. CHIEN<br>01JUN2012   |   |                    |
| TOLERANCES UNLESS OTHERWISE SPECIFIED:<br>0 PLC ± -<br>1 PLC ± 0.30<br>2 PLC ± 0.20<br>3 PLC ± 0.15<br>4 PLC ± -<br>ANGLES ± 3' |  | APVD<br>W. KODAMA<br>01JUN2012 | NAME  |                    |
|   |  | PRODUCT SPEC<br>108-57912      | MINI USB CONNECTOR, RECEPTACLE<br>VERTICAL, DIP, B TYPE |                    |
| MATERIAL<br>SEE NOTE  |  | APPLICATION SPEC               | SIZE<br>A3  | CAGE CODE<br>00779 |
| FINISH<br>SEE NOTE  |  | WEIGHT<br>0.725 g              | DRAWING NO<br>C=2041517                                 | RESTRICTED TO<br>- |
| CUSTOMER DRAWING  |  |                                | SCALE<br>-  | SHEET<br>1 of 3    |
|   |  |                                |   | REV<br>A1          |

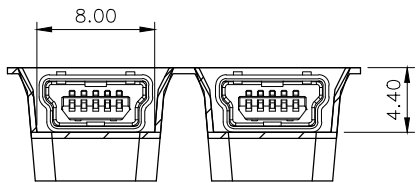
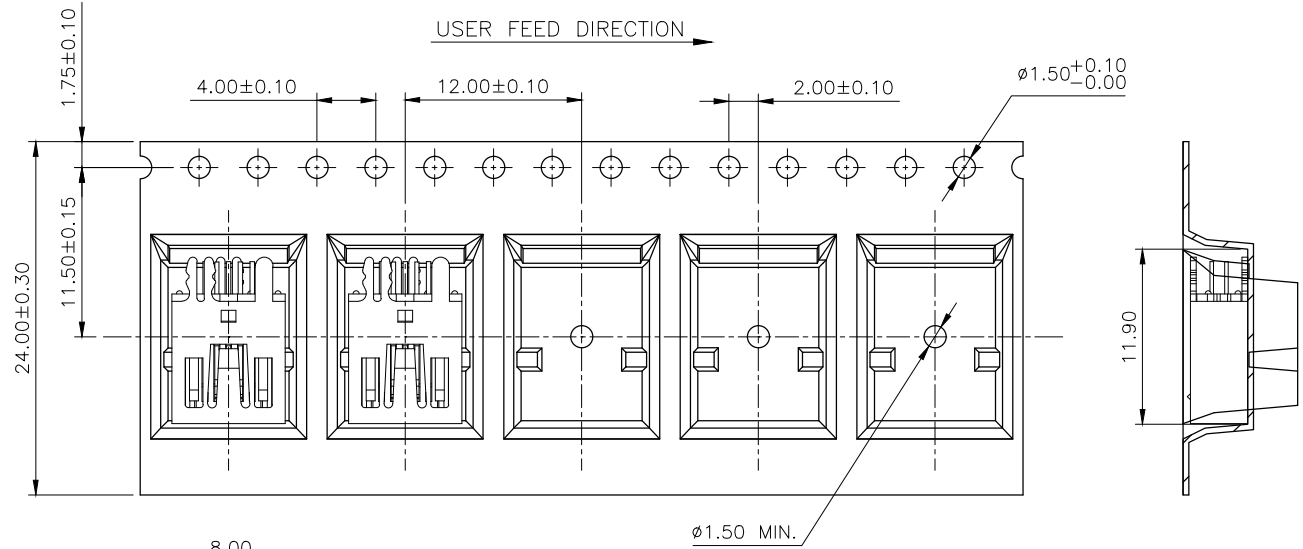
THIS DRAWING IS UNPUBLISHED. RELEASED FOR PUBLICATION  
 © COPYRIGHT 2010 BY TYCO ELECTRONICS CORPORATION. ALL RIGHTS RESERVED.

|     |      |              |     |             |      |     |      |
|-----|------|--------------|-----|-------------|------|-----|------|
| LOC | DIST | REVISIONS    |     |             |      |     |      |
| DW  |      | P            | LTR | DESCRIPTION | DATE | DWN | APVD |
|     |      | SEE SHEET 1. |     |             |      |     |      |

- NOTE:
- MATERIAL:  
 COVER TAPE: PET, WHITE COLOR.  
 CARRIER: PS.  
 REEL: PS.  
 SHIPPING BOX: CORRUGATED FIBER.
  - DIMENSION:  
 REEL: SEE DRAWING.  
 SHIPPING BOX: SEE DRAWING.
  - QUANTITY: SEE TABLE.
  - WEIGHT: SEE TABLE.
  - PEELING RESISTANCE: 10gf ~ 130gf
  - PEELING SPEED: 300mm/MINUTE.



PACKAGING PROCESS

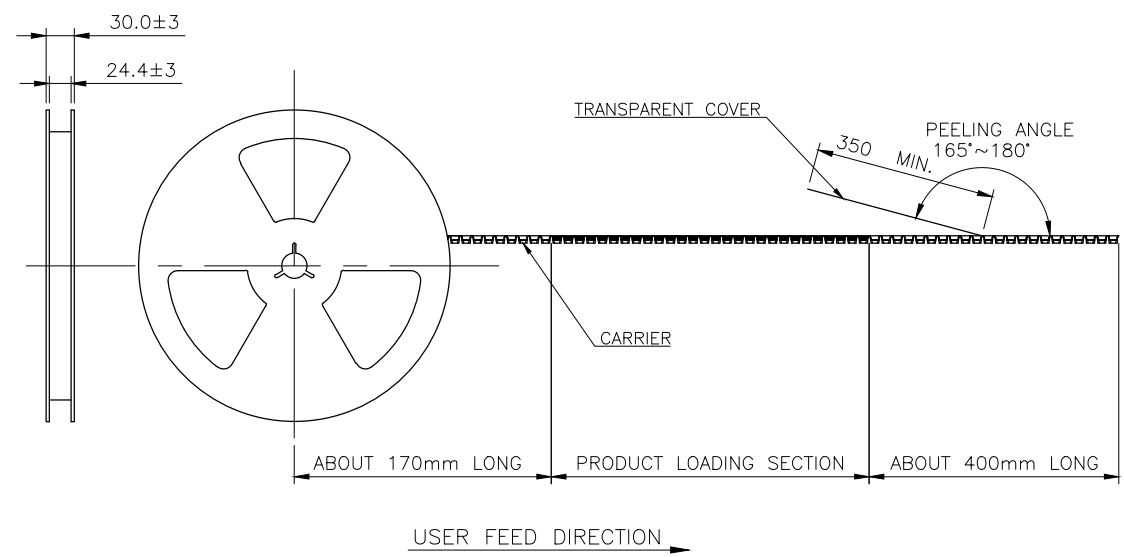


|              |            |           |            |          |             |
|--------------|------------|-----------|------------|----------|-------------|
| 12.5 KG      | 9.13 KG    | 1200      | 10         | 12000    | 2041517-1   |
| GROSS WEIGHT | NET WEIGHT | PCS /REEL | REELS /BOX | QUANTITY | PART NUMBER |

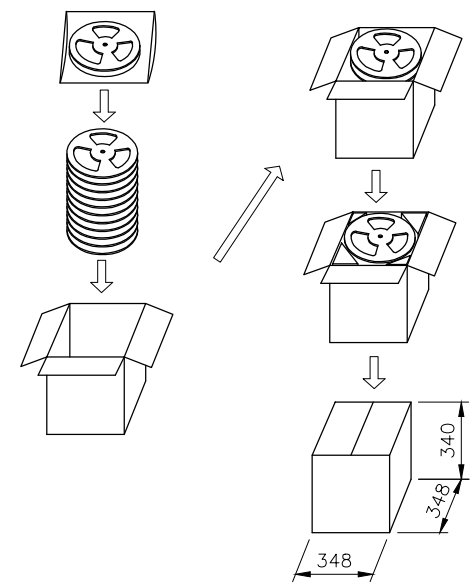
|  |  |                  |  |           |            |
|--|--|------------------|--|-----------|------------|
| THIS DRAWING IS A CONTROLLED DOCUMENT. |  | DWN              | <b>STE</b> TE Connectivity                           |           |            |
| DIMENSIONS: mm                         |  | CHK              |  |           |            |
| TOLERANCES UNLESS OTHERWISE SPECIFIED: |  | APVD             | NAME   |           |            |
| 0 PLC ± -                              |  | PRODUCT SPEC     | MINI USB CONNECTOR, RECEPTACLE VERTICAL, DIP, B TYPE |           |            |
| 1 PLC ± 0.30                           |  | APPLICATION SPEC | SIZE   | CAGE CODE | DRAWING NO |
| 2 PLC ± 0.30                           |  | WEIGHT           | A3   | 00779     | C=2041517  |
| 3 PLC ± 0.30                           |  | CUSTOMER DRAWING | RESTRICTED TO  |           |            |
| 4 PLC ± -                              |  |                  | SCALE  | SHEET     | REV        |
| ANGLES ± -                             |  |                  |  | 2 of 3    | A1         |
| FINISH                                 |  |                  |  |           |            |

THIS DRAWING IS UNPUBLISHED. RELEASED FOR PUBLICATION  
 © COPYRIGHT 2010 BY TYCO ELECTRONICS CORPORATION. ALL RIGHTS RESERVED.

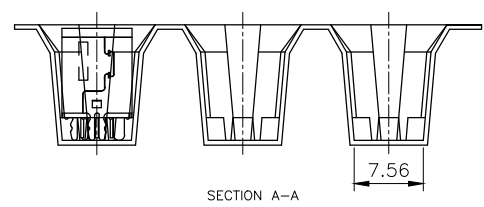
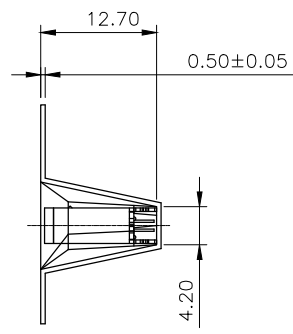
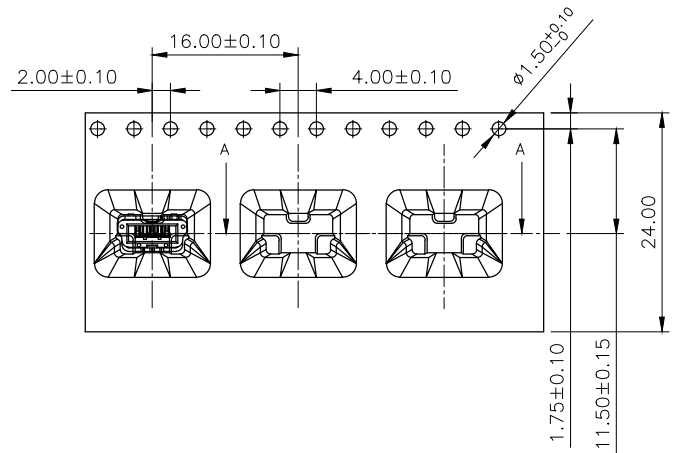
|     |      |              |     |             |      |     |      |
|-----|------|--------------|-----|-------------|------|-----|------|
| LOC | DIST | REVISIONS    |     |             |      |     |      |
| DW  |      | P            | LTR | DESCRIPTION | DATE | DWN | APVD |
|     |      | SEE SHEET 1. |     |             |      |     |      |



- NOTE:
- MATERIAL:  
COVER TAPE: PET, WHITE COLOR.  
CARRIER TAPE: PS.  
REEL: PS.  
SHIPPING BOX: CORRUGATED FIBER.
  - DIMENSION:  
REEL: SEE DRAWING.  
SHIPPING BOX: SEE DRAWING.
  - QUANTITY: SEE TABLE.
  - WEIGHT: SEE TABLE.
  - PEELING RESISTANCE: 10gf ~ 130gf
  - PEELING SPEED: 300mm/MINUTE.



PACKAGING PROCESS



|              |            |           |            |          |             |
|--------------|------------|-----------|------------|----------|-------------|
| 6.70KG       | 2.60 KG    | 300       | 10         | 3000     | 2041517-2   |
| GROSS WEIGHT | NET WEIGHT | PCS /REEL | REELS /BOX | QUANTITY | PART NUMBER |

|  |  |                  |  |           |            |
|--|--|------------------|--|-----------|------------|
| THIS DRAWING IS A CONTROLLED DOCUMENT. |  | DWN              | <b>STE</b> TE Connectivity                           |           |            |
| DIMENSIONS: mm                         |  | CHK              |  |           |            |
| TOLERANCES UNLESS OTHERWISE SPECIFIED: |  | APVD             | NAME   |           |            |
| 0 PLC ± -                              |  | PRODUCT SPEC     | MINI USB CONNECTOR, RECEPTACLE VERTICAL, DIP, B TYPE |           |            |
| 1 PLC ± 0.30                           |  | APPLICATION SPEC | SIZE   | CAGE CODE | DRAWING NO |
| 2 PLC ± 0.30                           |  | WEIGHT           | A3   | 00779     | C=2041517  |
| 3 PLC ± 0.30                           |  | CUSTOMER DRAWING | RESTRICTED TO  |           |            |
| 4 PLC ± -                              |  |                  | SCALE  | SHEET     | REV        |
| ANGLES ± -                             |  |                  |  | 3 of 3    | A1         |
| FINISH                                 |  |                  |  |           |            |

## X-ON Electronics

Largest Supplier of Electrical and Electronic Components

*Click to view similar products for [USB Connectors](#) category:*

*Click to view products by [TE Connectivity](#) manufacturer:*

Other Similar products are found below :

[65-647-8-BK-BU](#) [950](#) [952](#) [E8144-B01021-L](#) [A-USB B-TOP-C](#) [MUSBA511N5](#) [MUSBD11135](#) [217450-1](#) [KMBVX-TH-5S-B30](#) [896-30-004-00-000000](#) [KUSBVX-BS1N-W30](#) [KUSBX-AP-KIT-SCBLK](#) [KUSBX-AS2N-W](#) [KUSBX-SMT2AP1S-W](#) [KUSBX-SMT2AP1S-W30](#) [935](#) [957](#) [30-498-6](#) [17-210051](#) [1734082-1](#) [30-1574](#) [30-470](#) [30-489](#) [30-541](#) [30-572-3](#) [A-USB A-2P-C](#) [MIKROE-1451](#) [USBFTV2PEM2G](#) [USBFTVC6ZN](#) [KUSBX-AS2N-W30](#) [KUSBX-SLAS1N-W](#) [KUSBX-SMT-AS1N-W30](#) [4689-1](#) [1-1734084-2](#) [E8110-001-01](#) [33UBARS1-04SW11](#) [33UBAR-04SW11](#) [USBF21ZNSCC](#) [USBBFTV6ZC](#) [10135326-001LF](#) [USB-A-S-F-B-VT](#) [925](#) [4198](#) [690-024-633-031](#) [KUSBEX-BSFS1N-W](#) [USBFTVC6MRG](#) [UA-20BMFA-SL8001](#) [17-250101](#) [USBFTVC7ZC](#) [USBFTV75NF459](#)