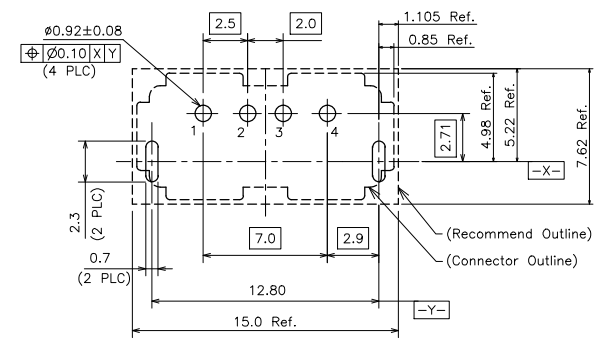
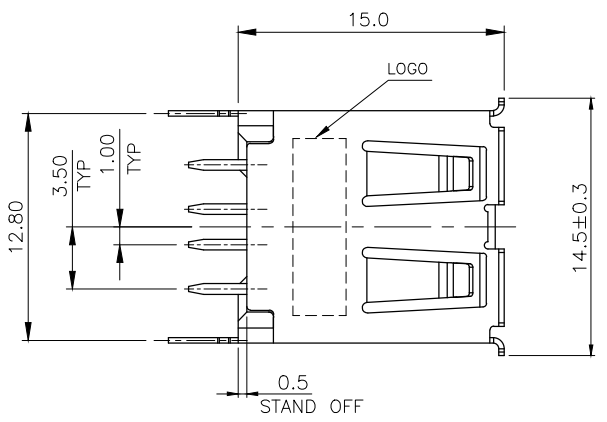
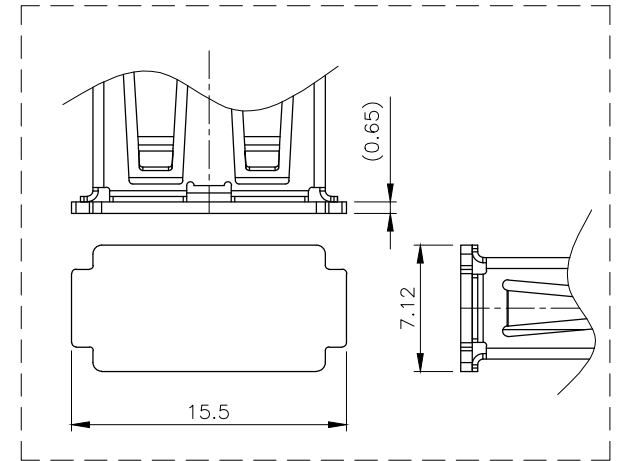


THIS DRAWING IS UNPUBLISHED. RELEASED FOR PUBLICATION
 © COPYRIGHT BY TYCO ELECTRONICS CORPORATION. ALL RIGHTS RESERVED.

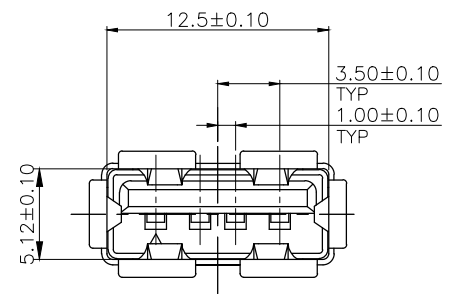
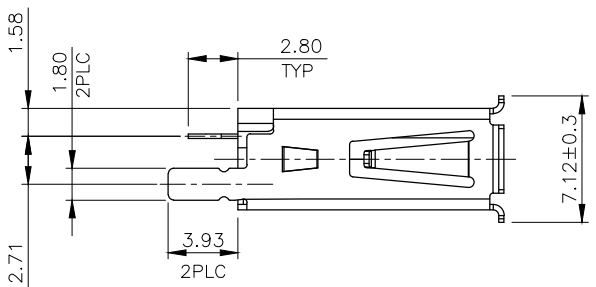
LOC	DIST	REVISIONS					
DW		P	LTR	DESCRIPTION	DATE	DWN	APVD
		A		RELEASED	15MAY14	S.C	H.L



RECOMMENDED P.C.BOARD LAYOUT(T=1.6)
 (TOP VIEW)(TOLERANCE:±0.05)(SCALE 1:4)



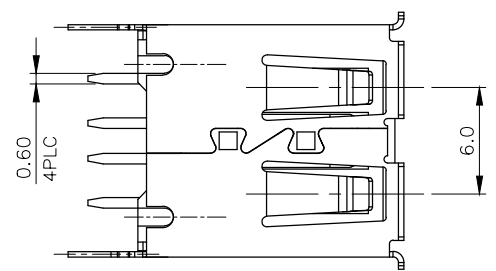
WITH CAP CONDITION



NOTE:

- MATERIAL:
 HOUSING & CAP: THERMOPLASTIC(LCP), UL 94V-0, COLOR: BLACK.
 CONTACTS: PHOSPHOR BRONZE. THICKNESS=0.25
 SHELL: STAINLESS STEEL
- FINISH:
 CONTACTS: GOLD FLASH OVER 0.762µm [30µ"] MIN. PALLADIUM-NICKEL PLATED ON CONTACT AREA,
 2.54µm [100µ"] MIN. MATTE-TIN ON SOLDER TAILS,
 1.27µm [50µ"] MIN. NICKEL. UNDERPLATED ALL OVER.

 SHELL: 0.762µm [30µ"] MIN. NICKEL PLATED ALL OVER
- WAVE SOLDER CAPABLE TO 265°C PER TEST SPEC.
 109-202, CONDITION B.

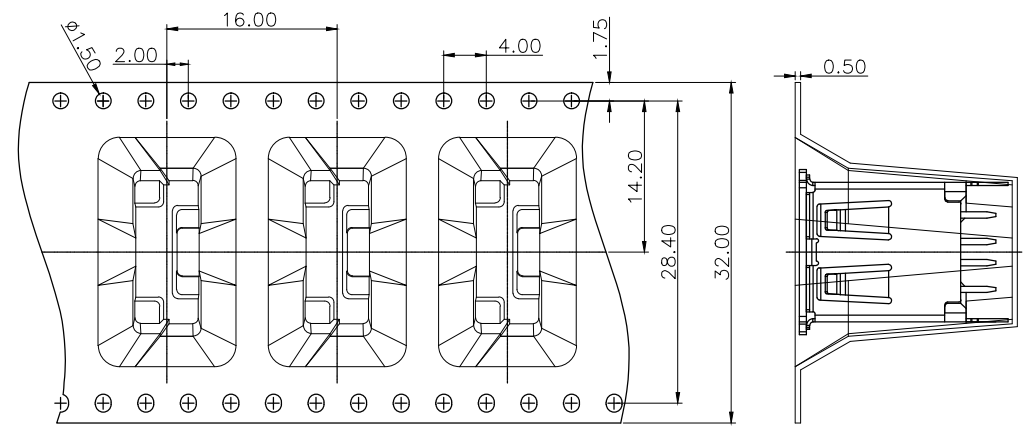


2041556-1
 PART NUMBER

THIS DRAWING IS A CONTROLLED DOCUMENT.		DWN S. CHIEN 15MAY2014	TE Connectivity RECEIPT ASSY, VERTICAL, 4POSITION THRU-HOLE, TYPE A USB				
DIMENSIONS: MM		CHK S. CHIEN 15MAY2014					
TOLERANCES UNLESS OTHERWISE SPECIFIED:		APVD L. HUNG 15MAY2014	NAME				
0 PLC ± 0.38 1 PLC ± 0.25 2 PLC ± 0.20 3 PLC ± 0.10 4 PLC ± - ANGLES ± 2'		PRODUCT SPEC 108-57547	QUALIFICATION TEST REPORT				
MATERIAL SEE NOTE		FINISH SEE NOTE	SIZE A3	CAGE CODE 00779	DRAWING NO C=2041556	RESTRICTED TO	
		WEIGHT 1.82 GRAMS	CUSTOMER DRAWING		SCALE	SHEET 1 of 2	REV A

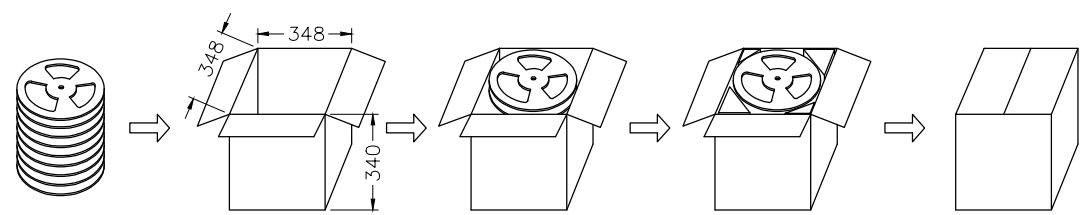
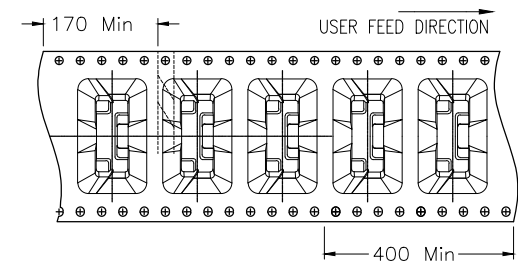
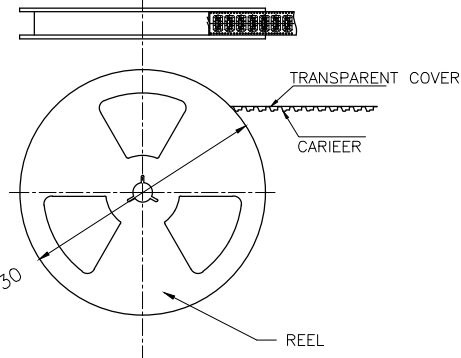
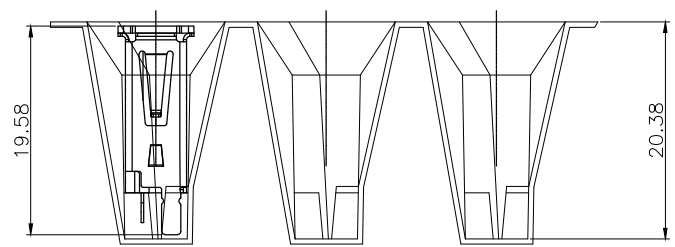
THIS DRAWING IS UNPUBLISHED. RELEASED FOR PUBLICATION
 © COPYRIGHT BY TYCO ELECTRONICS CORPORATION. ALL RIGHTS RESERVED.

LOC DW	DIST	REVISIONS			
P	LTR	DESCRIPTION	DATE	DWN	APVD
		SEE SHEET 1.			



SECTION B-B

- NOTES:
 PACKING MATERIAL MET TE SPEC 230-702, REVISION E.
 * CADMIUM AND CADMIUM COMPOUNDS CONTENT:
 5 PPM UNDER (PLASTIC, RUBBER, INK, PIGMENT, PAINT)
 * LEAD, CADMIUM, CHROM VI AND MERCURY IN PACKAGING MATERIALS CONTENT: 100 PPM (COMBINED) UNDER.
- MATERIAL:
 REEL: PS.
 SHIPPING BOX: CORRUGATED FIBER.
 - DIMENSION:
 REEL: $\phi=330$ mm, PITCH=16mm
 SHIPPING BOX: L=348mm, W=348mm, H=340mm
 - QUANTITY:SEE TABLE B



PACKAGING PROCESS

6.9KG	2.7KG	180	8	1440	2041556-1
GROSS WEIGHT	NET WEIGHT	PCS/ REEL	REEL/ OUTER BOX	OUTER BOX	PART NUMBER

THIS DRAWING IS A CONTROLLED DOCUMENT.		DWN	TE Connectivity		
DIMENSIONS: MM		CHK			
		APVD	NAME		
TOLERANCES UNLESS OTHERWISE SPECIFIED:		PRODUCT SPEC	RECEIPT ASSY, VERTICAL, 4POSITION THRU-HOLE, TYPE A USB		
0 PLC ± -		APPLICATION SPEC	SIZE	CAGE CODE	DRAWING NO
1 PLC ± -		WEIGHT	A3	00779	C=2041556
2 PLC ± -		CUSTOMER DRAWING	SCALE	SHEET	REV
3 PLC ± -				2 of 2	A
4 PLC ± -					
ANGLES ± -					
FINISH					

X-ON Electronics

Largest Supplier of Electrical and Electronic Components

Click to view similar products for [USB Connectors](#) category:

Click to view products by [TE Connectivity](#) manufacturer:

Other Similar products are found below :

[950](#) [A-USB A-LP-SMT-C](#) [A-USB B-TOP-C](#) [MUSBD11135](#) [17-200721](#) [217450-1](#) [KMBVX-TH-5S-B30](#) [KUSBX-AS2N-W](#) [KUSBX-SMT2AP1S-W30](#) [935](#) [957](#) [30-498-6](#) [SK-60A-2](#) [1734082-1](#) [30-470](#) [30-489](#) [30-541](#) [MIKROE-1451](#) [USBFTVSCCG](#) [1-1734084-2](#)
[10135326-001LF](#) [USB3FTV7APEG](#) [4198](#) [1310-1023-02](#) [690-024-633-031](#) [UB-20PMFP-LC7001](#) [17-200011](#) [UB-20AFMM-LL7A01](#)
[1040870124](#) [CAP-WCCMLPB1](#) [2274475-3](#) [UB-20BMFA-SL8001](#) [UB-20BFM-SA7A02](#) [UB-20BFM-SA7A05](#) [914-614A2025S10200](#)
[MUSBR-AHD2-M41-SK](#) [ZX40-B-5S-1500-STDA\(30\)](#) [GSB3116344HR](#) [USB3FTV2SAZNF459](#) [USBF21GSCC](#) [U221-041N-1WVS62-F5D](#)
[HYCW153-USBD05-500B](#) [HYCW219-USBD05-075B](#) [HYCW148-USBD05-117B](#) [HYCW149-USBD05-740B](#) [HYCW204-USBD05-108B](#)
[HYCW214-USBA04-113B](#) [HYCW213-USBA04-113B](#) [UB-20AMFM-SL7A01](#) [KMMX-BSMT35S-1-B30TR](#)