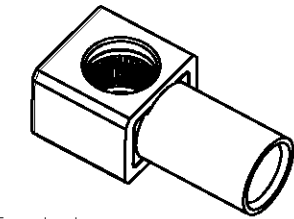
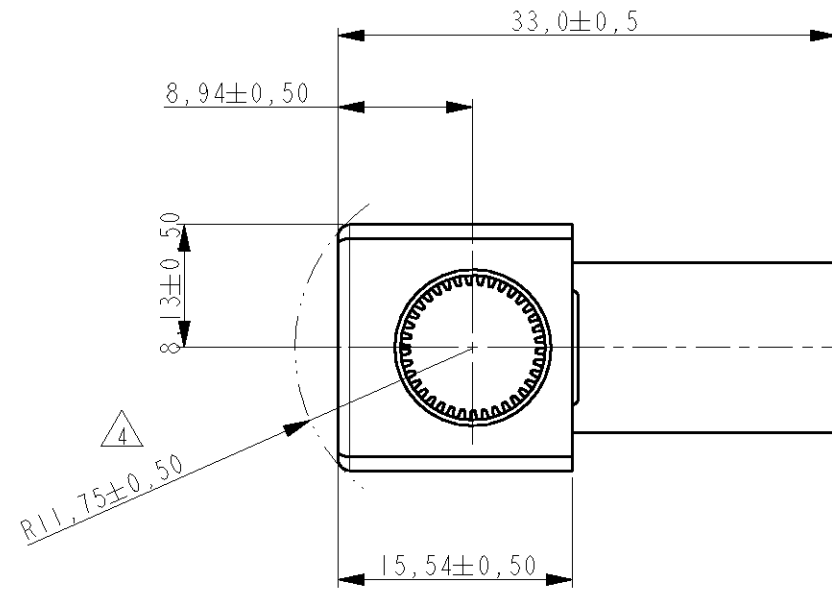


THIS DRAWING IS UNPUBLISHED. RELEASED FOR PUBLICATION 20
 © COPYRIGHT 20 BY TYCO ELECTRONICS CORPORATION. ALL RIGHTS RESERVED.

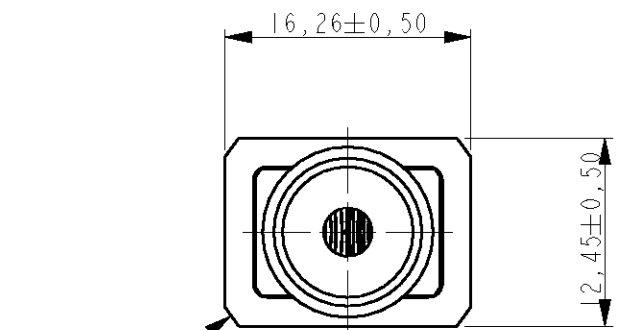
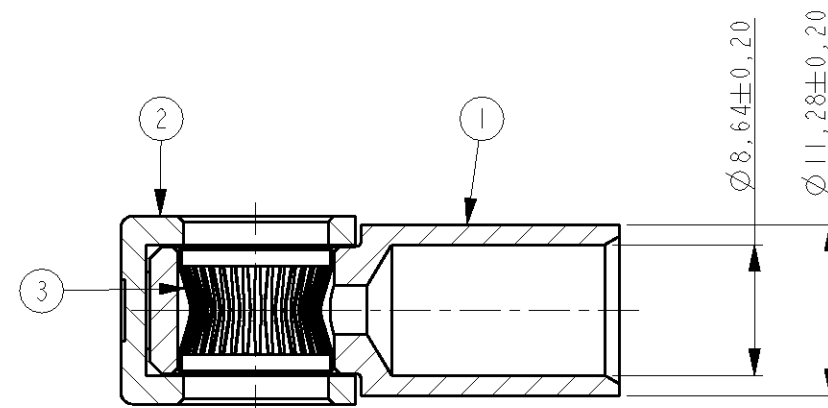
LOC	DIST	REVISIONS			
P	LTR	DESCRIPTION	DATE	DWN	APVD
H	-	A	RELEASED	29OCT2008	JvdH RL

NOTES:

- ITEMS PROVIDED TO THIS SPECIFICATION SHALL BE IDENTIFIED ON THE CONTAINER WITH THE FOLLOWING INFORMATION: PART NUMBER & DATE CODE OF MFR.
- MATERIALS:
 SOCKET BODY: TeCu
 CROWN CONTACT: BeCu
 HOUSING: THERMOPLASTIC, 94V-0, COLOR PER TABLE
- FINISHES:
 SOCKET BODY: SILVER PLATING: MIN. 5µm
 OVER MIN. 1µm NICKEL.
 CROWN CONTACT: GOLD PLATING: MIN. 0.75µm
 OVER MIN. 1µm NICKEL.
- △ ROTATION ARC.
- FOR TERMINATION REFER TO 1926079-1



SCALE 1:1



2042202-3	BLUE
2042202-2	RED
2042202-1	BLACK

ITEM NO.	DESCRIPTION	QUANT.
3	CROWN, CONTACT, SIZE #0	1
2	HOUSING, CROWN SOCKET, SIZE #2	1
1	CONTACT SOCKET BODY, RIGHT ANGLE, SIZE #2/#4	1

<small>THIS DRAWING IS A CONTROLLED DOCUMENT FOR TYCO ELECTRONICS CORPORATION IT IS SUBJECT TO CHANGE AND THE CONTROLLING ENGINEERING ORGANIZATION SHOULD BE CONTACTED FOR THE LATEST REVISION.</small>		DWN J.VOS 29-Feb-08 CHK R.LOKKER 29-Feb-08 APVD R.VD.SANDT PRODUCT SPEC - APPLICATION SPEC - WEIGHT -		Tyco Electronics Tyco Electronics Corporation 's-Hertogenbosch, Nederland	
DIMENSIONS: mm 		TOLERANCES UNLESS OTHERWISE SPECIFIED: 0 PLC ±0,2 1 PLC ±0,1 2 PLC ±0,05 3 PLC ±0,025 4 PLC ±0,005 ANGLES ±2°		NAME JUMPER, CROWN SOCKET, PIN SIZE #2 WITH #4 AWG CRIMP BARREL	
MATERIAL -		FINISH -		SIZE A3 CAGE CODE 00779 DRAWING NO C-2042202 RESTRICTED TO -	
CUSTOMER DRAWING				SCALE 2:1 SHEET 1 OF 1 REV A	

X-ON Electronics

Largest Supplier of Electrical and Electronic Components

Click to view similar products for [Power to the Board](#) category:

Click to view products by [TE Connectivity](#) manufacturer:

Other Similar products are found below :

[6450171-4](#) [6450552-7](#) [6600323-8](#) [6643429-1](#) [6646040-2](#) [6651939-1](#) [6766604-1](#) [120959-1](#) [1393557-2](#) [1393532-2](#) [1393532-3](#) [1393532-4](#)
[1393557-1](#) [1600812-5](#) [1-6450861-2](#) [1744132-7](#) [1761122-1](#) [1766250-1](#) [1892109-1](#) [2-6450860-5](#) [2-6450870-0](#) [1-6450161-4](#) [1-6450850-6](#) [1-6450869-6](#) [1645526-2](#) [1-6600130-0](#) [2005243-2](#) [377-0020-11130](#) [TE34-12-16P-F0](#) [5-6450830-6](#) [5646956-4](#) [377-0080-11131A](#) [4-6450830-9](#)
[4-6600333-3](#) [10125416-4050LF](#) [6600320-3](#) [3-6450860-5](#) [1888123-2](#) [6450166-1](#) [6643978-1](#) [6766605-1](#) [701-15-02109](#) [N11444](#) [6651938-1](#)
[6450810-7](#) [46437-1112](#) [1-1589677-8](#) [5646956-5](#) [6450813-2](#) [6450129-4](#)