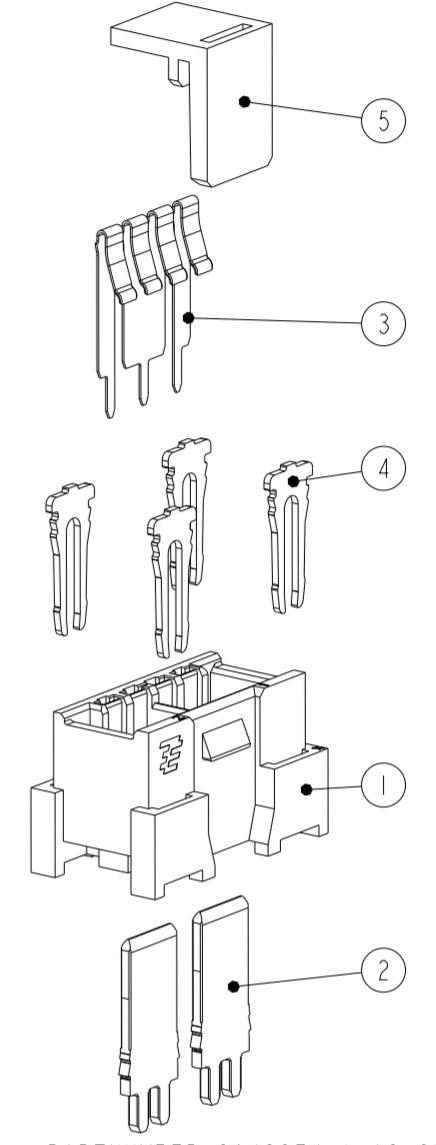
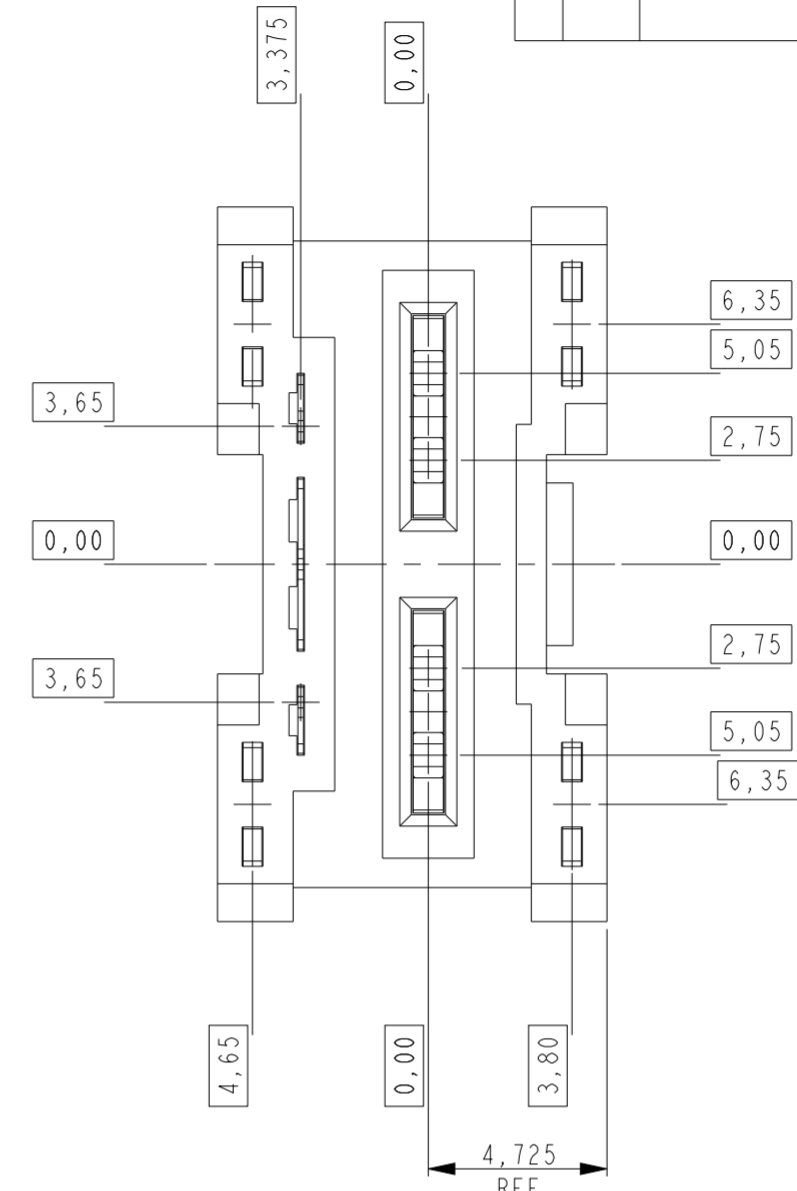
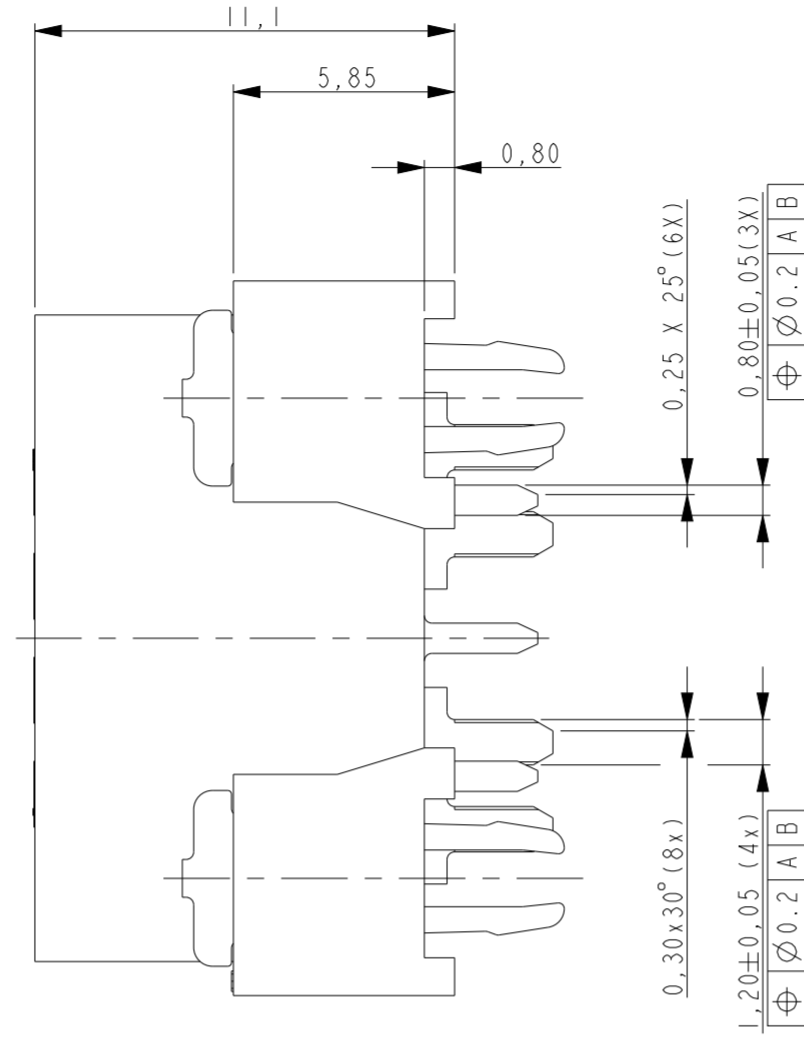
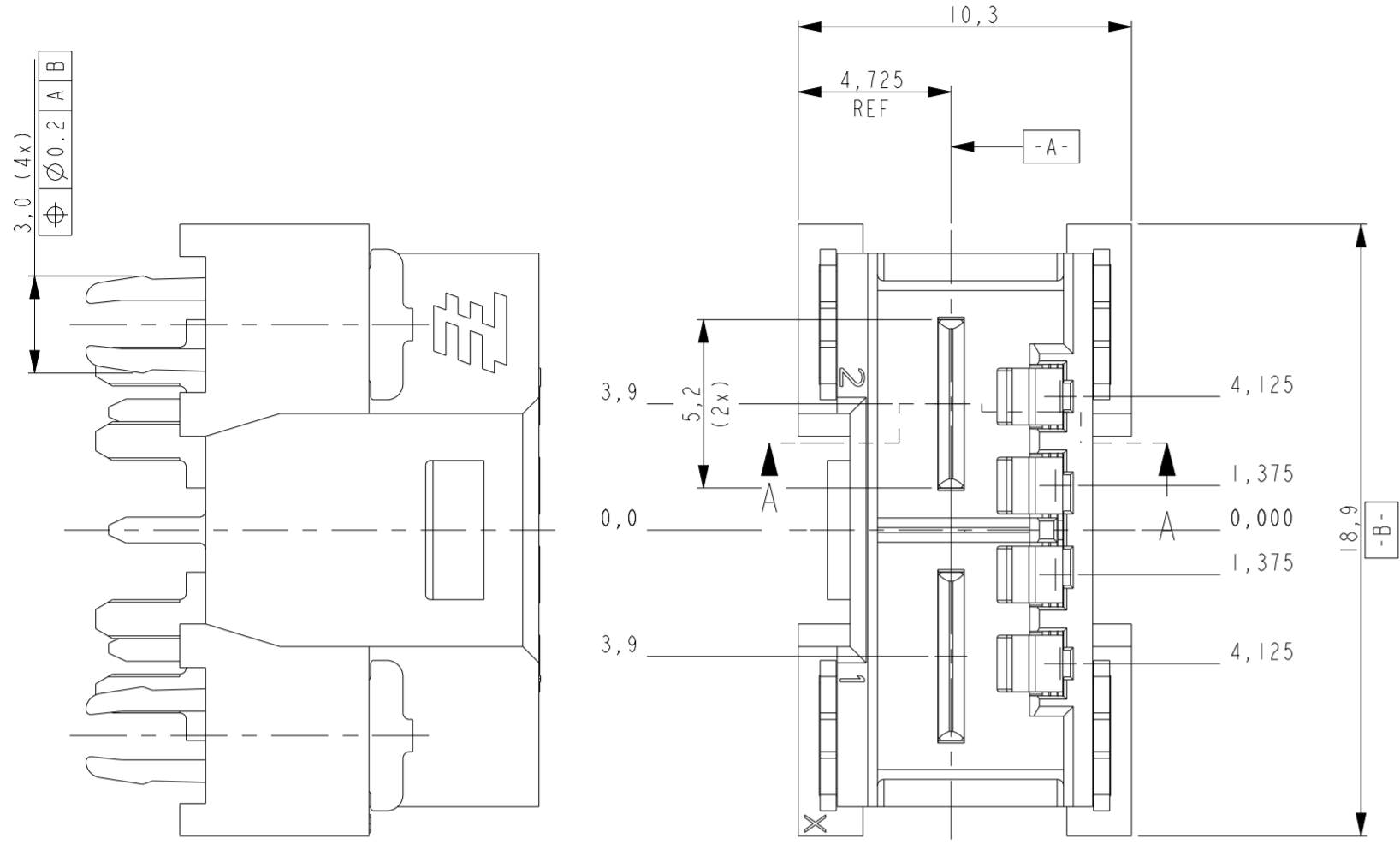
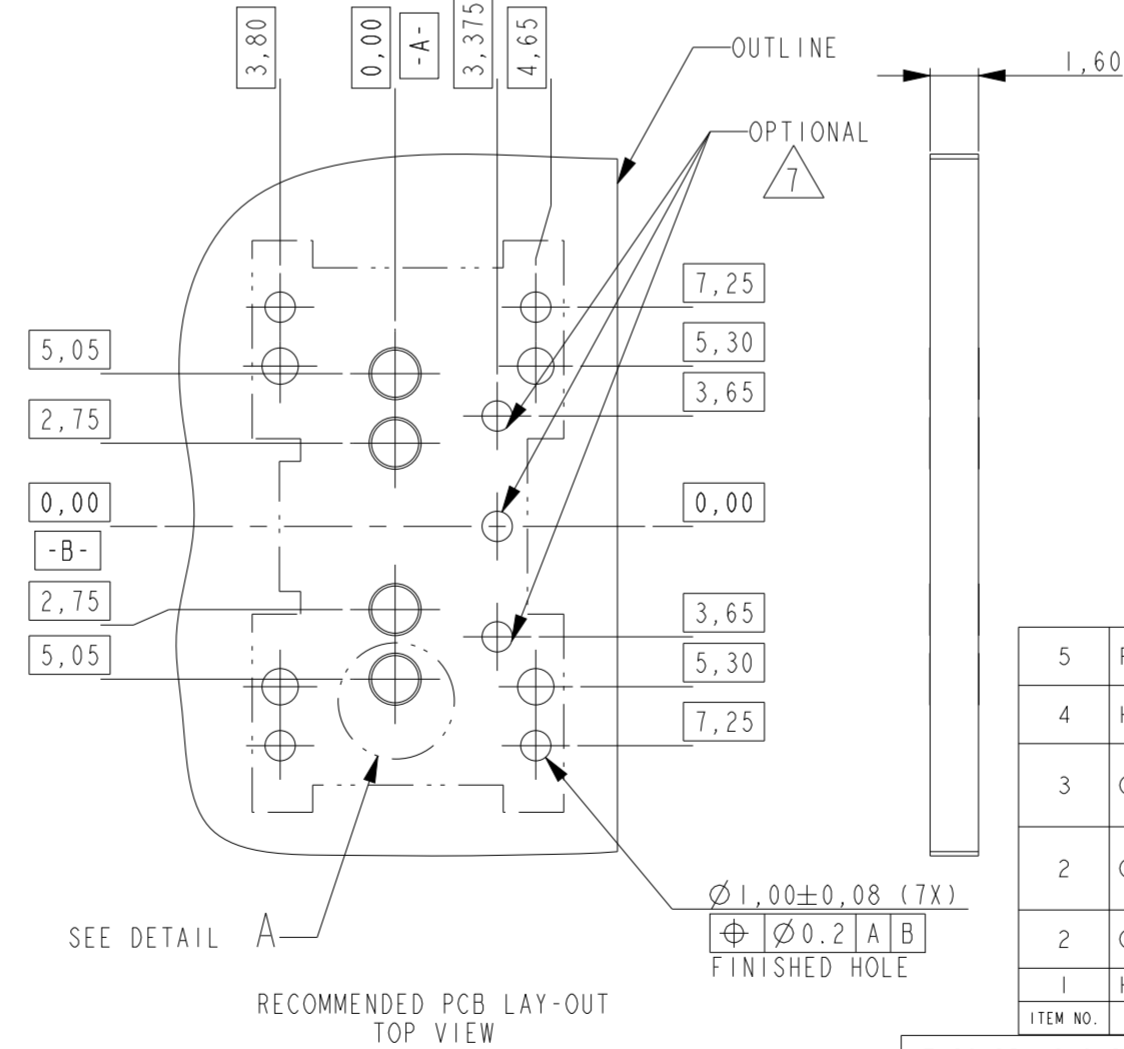
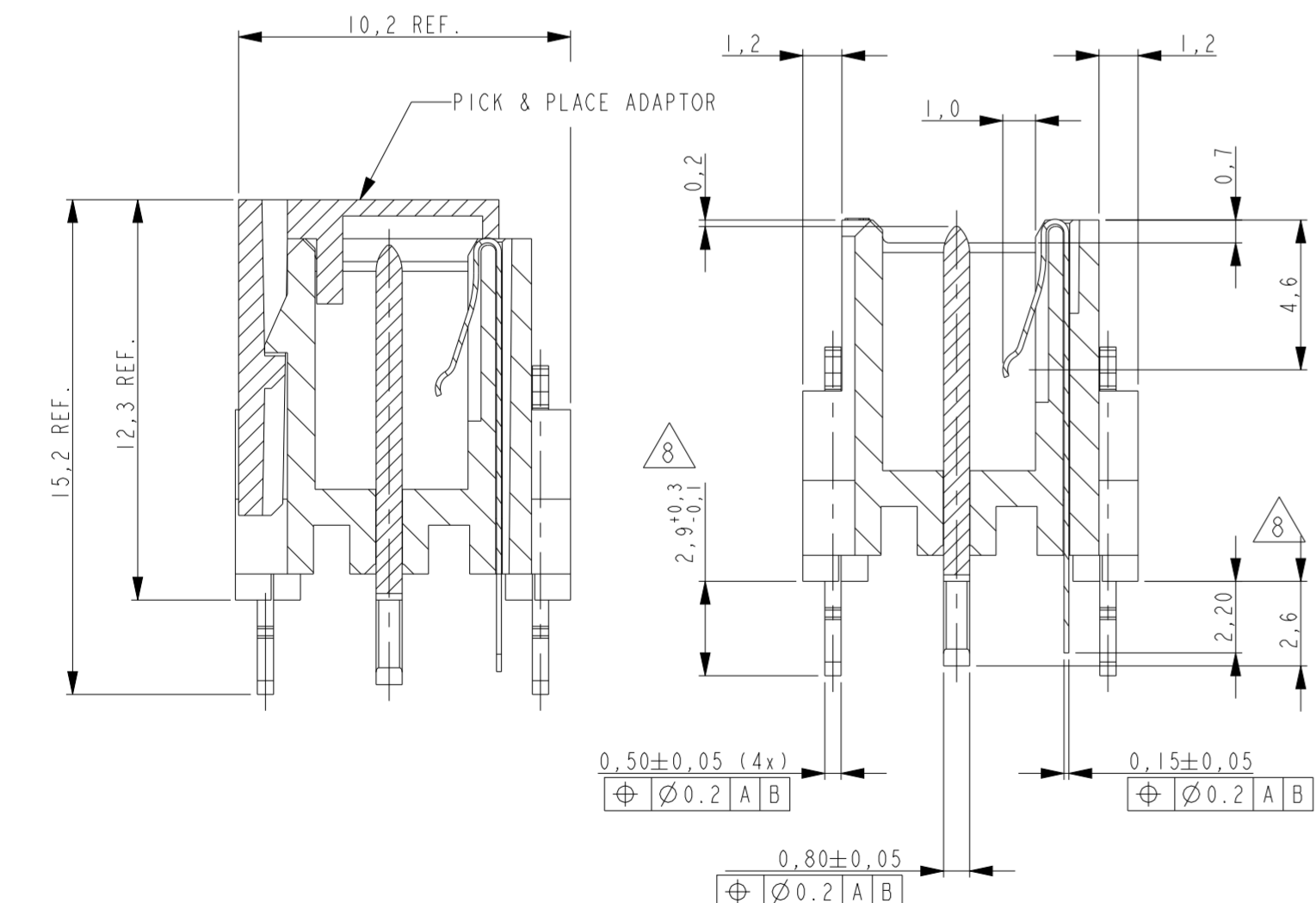


THIS DRAWING IS UNPUBLISHED. RELEASED FOR PUBLICATION  
 © COPYRIGHT - TE CONNECTIVITY ALL RIGHTS RESERVED.

P	LTR	DESCRIPTION	DATE	DWN	APVD
C9		UPDATE FOR 1-0	12MAR2021	OL	SH
D		REV PER ECN-21-116040	02SEP2021	OL	SH



PARTNUMBER 2042274-1 AS SHOWN



DETAIL A  
 SCALE 10:1  
 SOLDER TERMINATION AREA FOR POWER CONTACTS  
 RECOMMENDED PRINTED CIRCUIT HOLE

ITEM NO.	DESCRIPTION	MATERIAL	FINISH	QTY	QTY	QTY	QTY	QTY
5	PICK&PLACE ADAPTOR	POLYAMIDE	NA	1	-	1	1	1
4	HOLD DOWN	DIN1544 CK75	5,0 μm Sn MIN OVER 2,5 μm Ni MIN ALL OVER.	4	4	4	4	4
3	CONTACT DETECTION	SOPPER ALLOY	0,8 μm Au MIN. IN CONTACT PLACE, Au FLASH IN SOLDER AREA OVER 1,27μm Ni MIN ALL OVER	-	1	1	-	1
2	CONTACT POWER TAB	COPPER ALLOY	1,2 μm Ni MIN. ALL OVER 0,8 μm Au MIN AT MATING ZONE Au FLASH AT SOLDER ZONE	-	-	2	-	-
2	CONTACT POWER TAB	COPPER ALLOY	3,0 μm Ag MIN ALL OVER.	2	2	-	2	2
1	HOUSING	LCP GF UL94V-0	NA	1	1	1	1	1

ITEM NO.	DESCRIPTION	MATERIAL	FINISH	QTY	QTY	QTY	QTY	QTY
8	WITHOUT DETECTION CONTACTS			1	-	1	1	1
	WITHOUT ADAPTOR			-	-	-	-	-
	WITH DETECTION CONTACTS			1	1	1	1	1
	WITHOUT DETECTION CONTACTS			1	1	1	1	1
	WITH DETECTION CONTACTS			-	-	-	-	-

NOTE:  
 8: TAIL LENGTH FOR 1-2042274-0 REFER TO PAGE 4

THIS DRAWING IS A CONTROLLED DOCUMENT.

DWN: J.VOS 22-Apr-08  
 CHK: R.LOKKER 22-Apr-08  
 APVD: R.V.D.SANDT  
 PRODUCT SPEC: 108-19346  
 APPLICATION SPEC: 114-19110

MATERIAL: - FINISH: - WEIGHT: -

CUSTOMER DRAWING

SCALE 3:1 SHEET 1 OF 4 REV D

TE Connectivity  
 ELCON Mini, 2-position header vertical

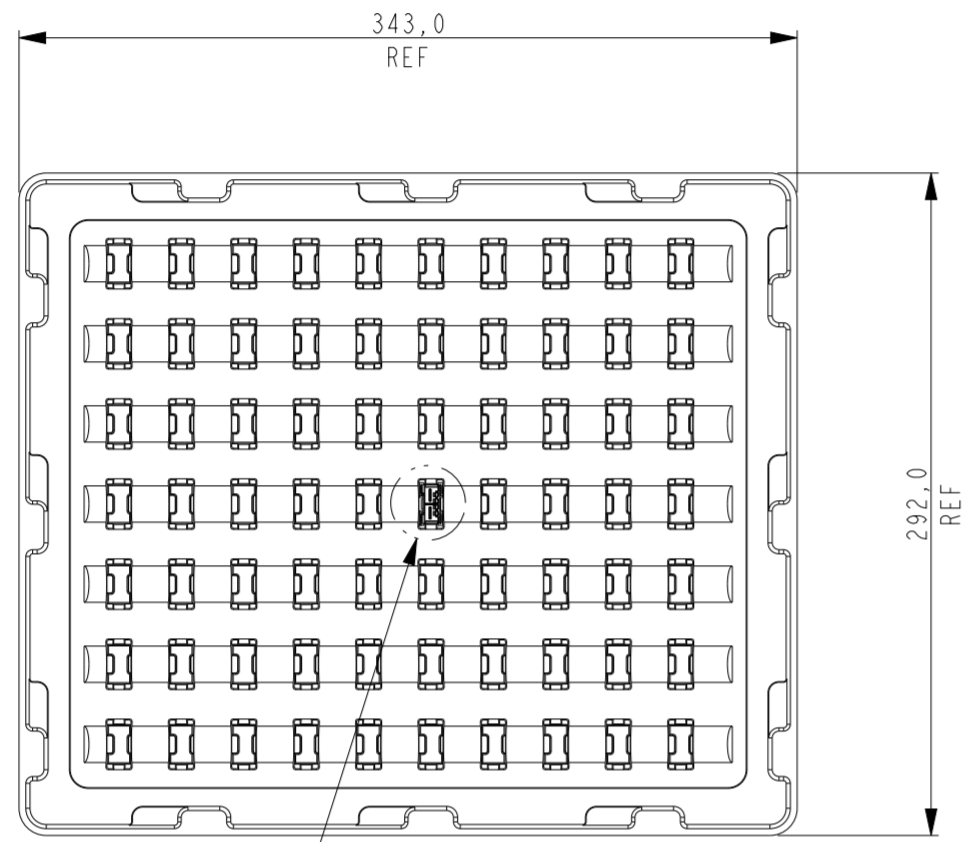
SIZE: A2 CAGE CODE: 00779 DRAWING NO: C-2042274 RESTRICTED TO: -

THIS DRAWING IS UNPUBLISHED. RELEASED FOR PUBLICATION  
 © COPYRIGHT - TE CONNECTIVITY ALL RIGHTS RESERVED.

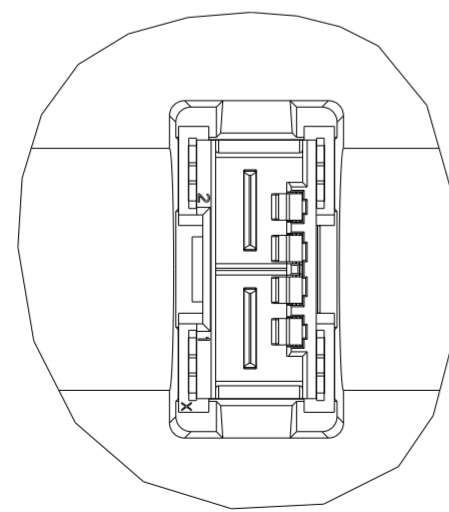
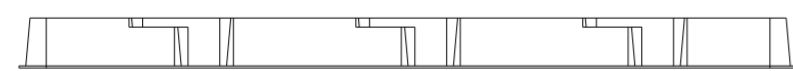
LOC	DIST	REVISIONS			
P	LTR	DESCRIPTION	DATE	DWN	APVD
H	-	SEE SHEET 1	-	-	-

NOTES:

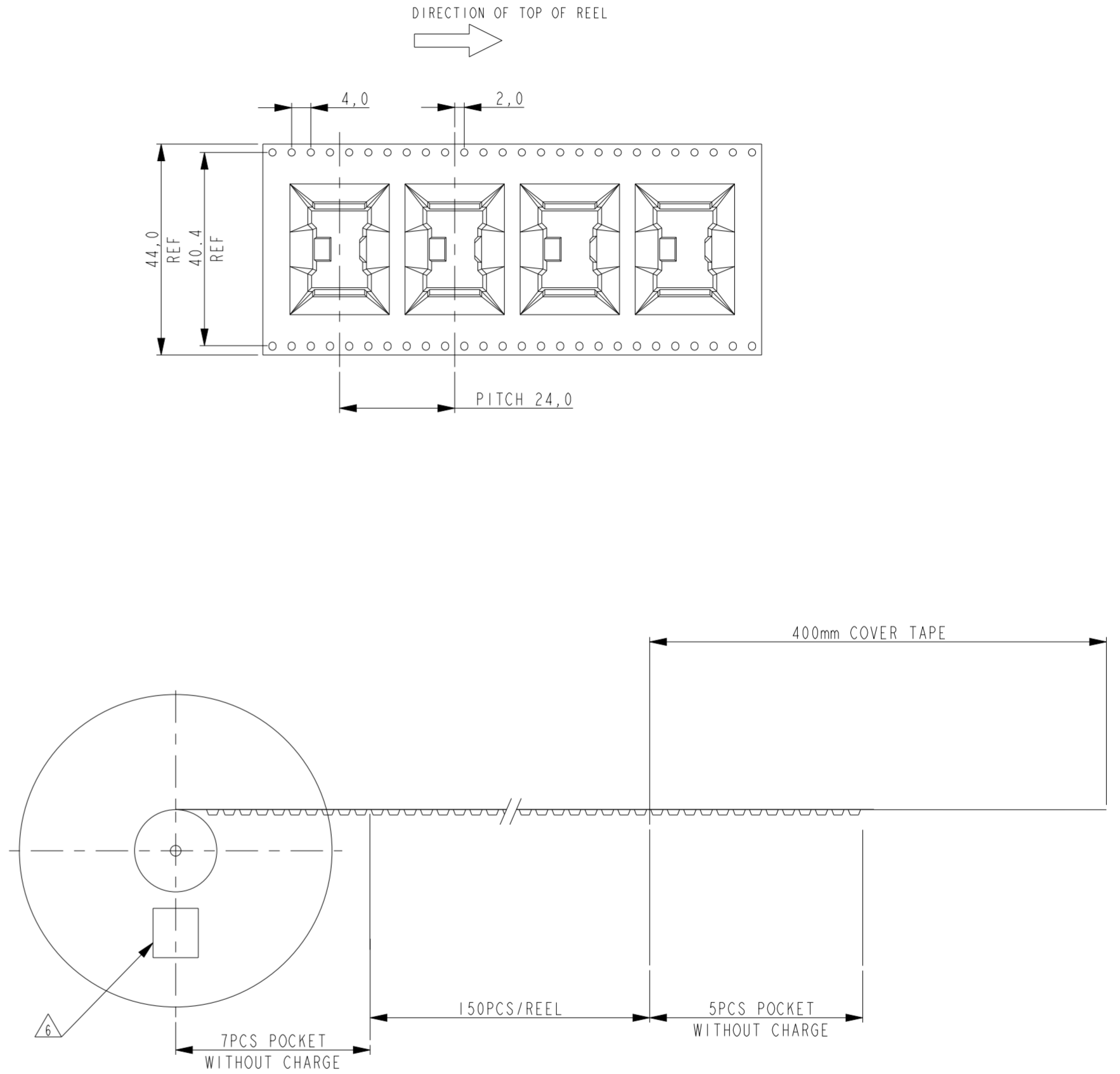
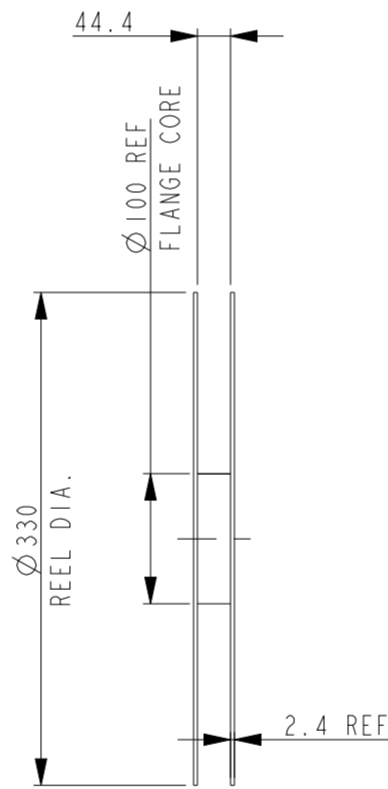
1. TRAY (PN 1961242-1) PACKAGING IS ONLY FOR PN 2042274-5



SEE DETAIL B



DETAIL B



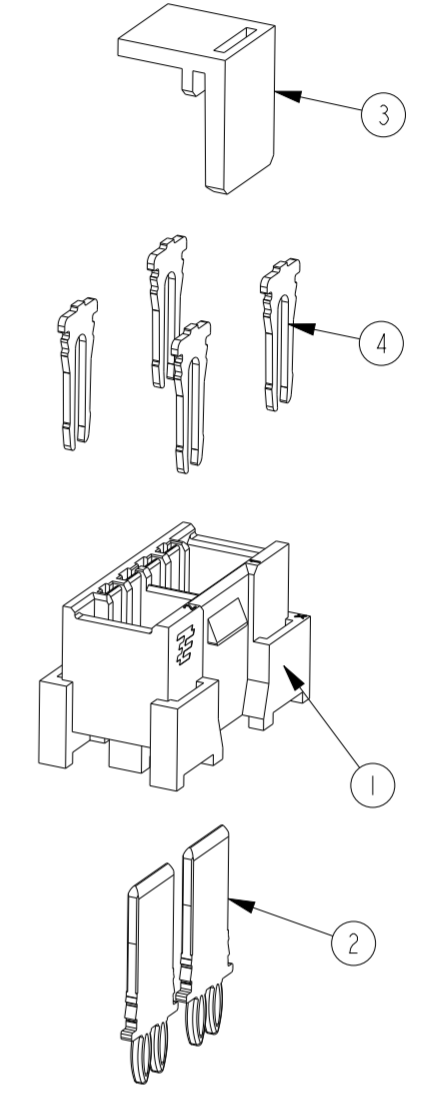
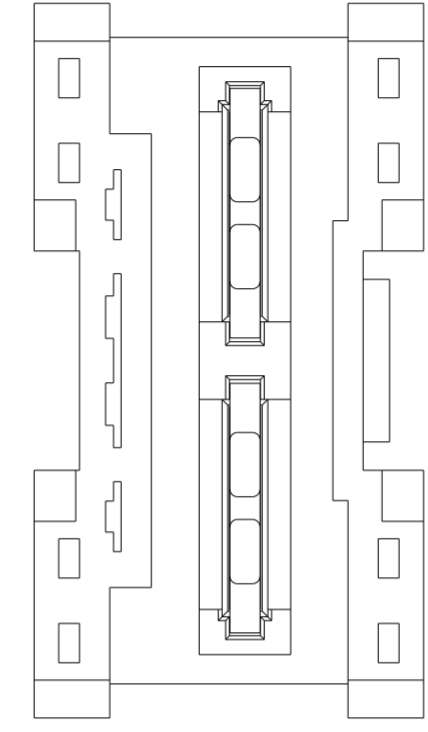
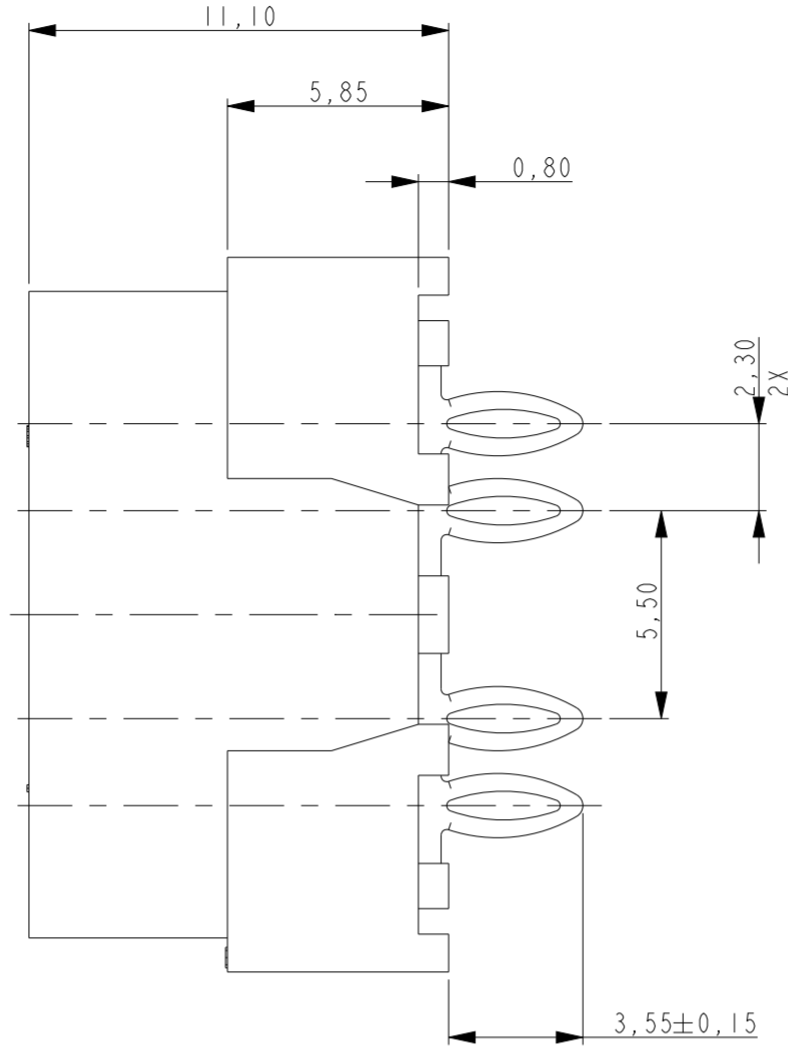
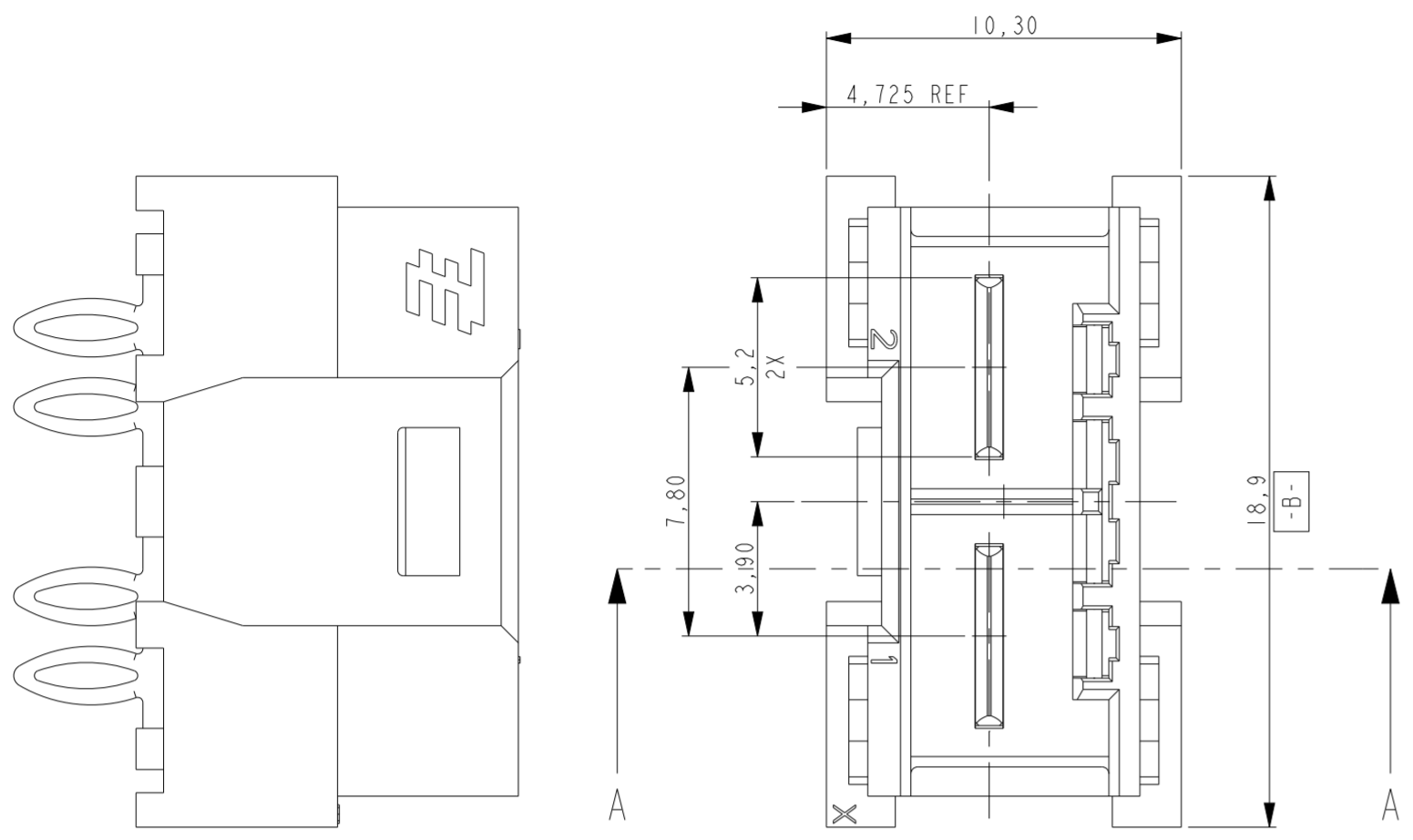
NOTES:

- 1 MATERIAL: BALCK POLYSTYRENE PLASTIC FOR CARRIER TAPE.
- 2 10 SPROCKET HOLES PITCH CUMULATIVE TOLERANCE +/-0,20.
- 3 CARRIER CAMBER IS WITHIN 1 mm IN 250 mm.
- 4 ALL DIMENSIONS MEET EIA-481-C REQUIREMENTS.
- 5 THICKNESS: 0,50±0,05mm.
- △ LABEL
- △ OPTIONAL UNLESS CODING CONTACT IS REQUIRED

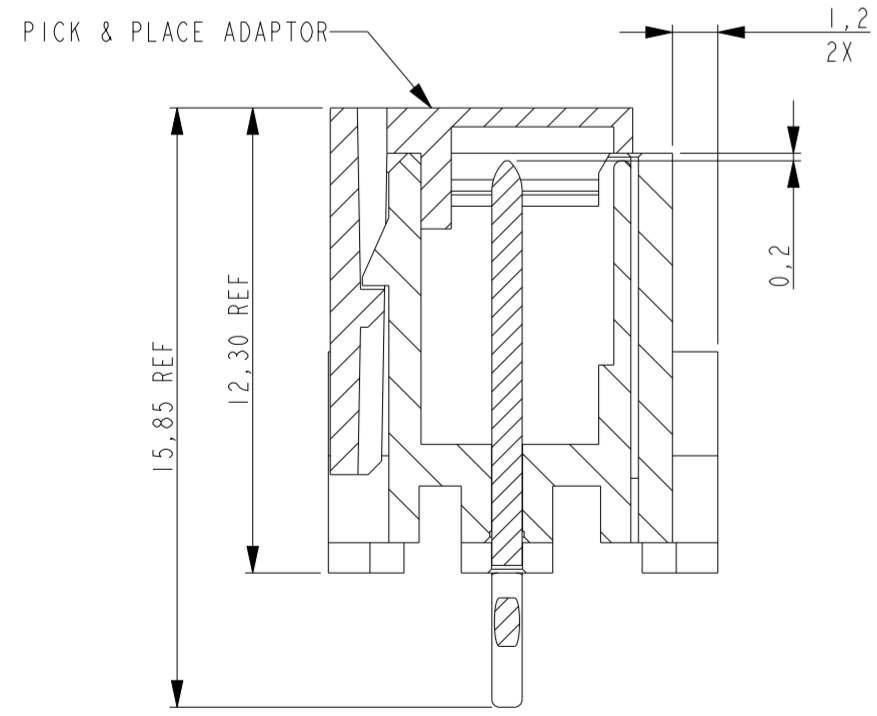
THIS DRAWING IS A CONTROLLED DOCUMENT.		DWN J.VOS 22-Apr-08	TE Connectivity	
		CHK R.LOKKER 22-Apr-08		
DIMENSIONS: mm		APVD R.V.D.SANDT	NAME ELCON Mini, 2-position header vertical	
TOLERANCES UNLESS OTHERWISE SPECIFIED: 0 PLC ±0,5 1 PLC ±0,1 2 PLC ±0,1 3 PLC ±0,1 4 PLC ± ANGLES ± FINISH ±		PRODUCT SPEC 108-19346	SIZE A2	CAGE CODE 00779
MATERIAL		APPLICATION SPEC 114-19110	DRAWING NO C-2042274	RESTRICTED TO
		WEIGHT	SCALE 3:1	SHEET 2 OF 4
		CUSTOMER DRAWING	REV D	

THIS DRAWING IS UNPUBLISHED. RELEASED FOR PUBLICATION  
 © COPYRIGHT - TE CONNECTIVITY ALL RIGHTS RESERVED.

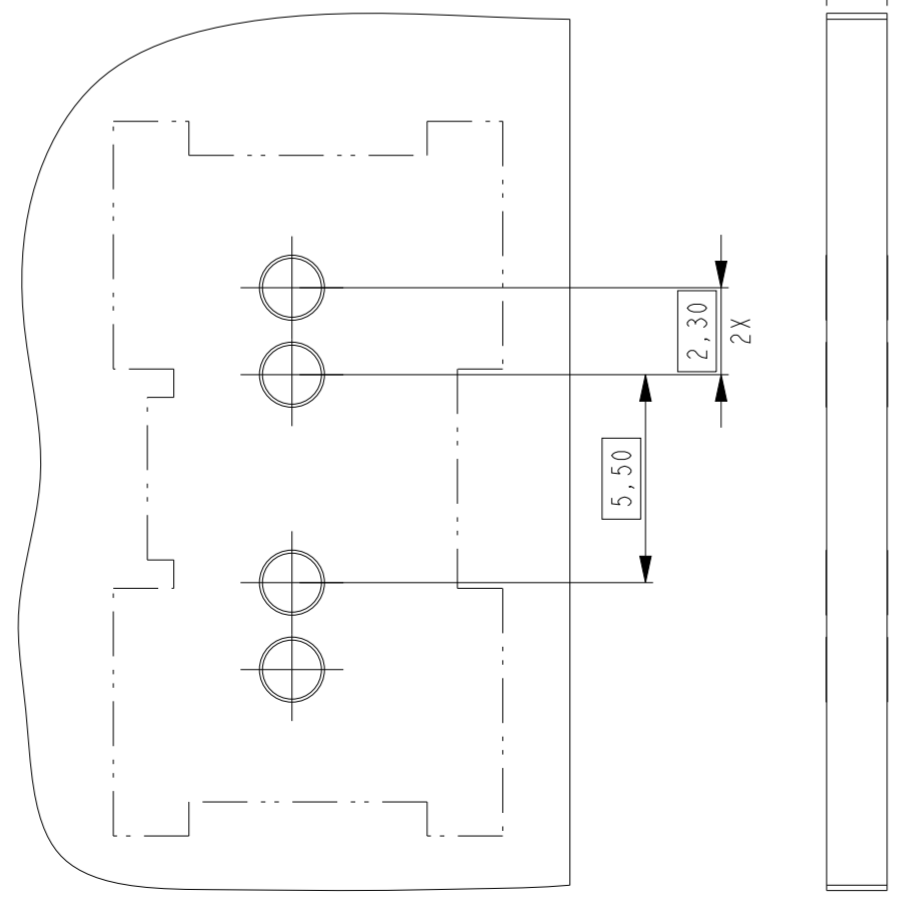
LOC		DIST		REVISIONS			
P	LTR	DESCRIPTION	DATE	DWN	APVD		
-	-	SEE SHEET 1	-	-	-		



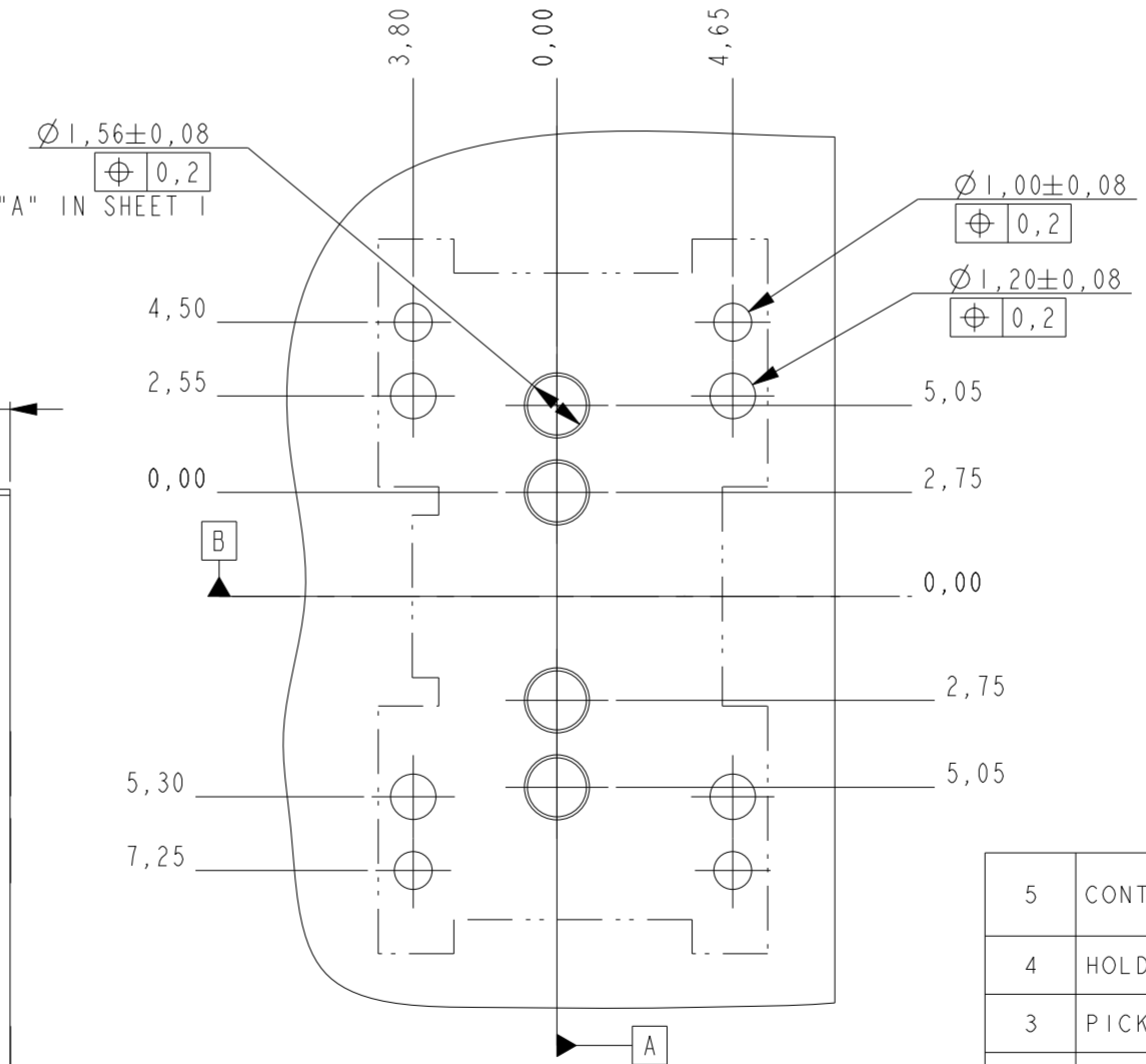
2042274-7 AS SHOWN



SECTION A-A  
SCALE 5:1



LAYOUT FOR -6, PCB THICKNESS 145 MIN



LAYOUT FOR PRESSFIT, PCB THICKNESS 145 MIN.

ITEM NO.	DESCRIPTION	MATERIAL	FINISH	QTY	QTY	QTY	QTY
5	CONTACT POWER TAB	COPPER ALLOY	0.8 μm Au AT MATING ZONE GOLD FLASH AT PRESS FIT ZONE OVER 1.27μM NICKEL	-	2	-	-
4	HOLD DOWN	DIN1544 CK75	5.0 μm Sn MIN OVER 2.5 μm Ni MIN ALL OVER.	4	4	4	-
3	PICK&PLACE ADAPTOR	POLYAMIDE	NA	-	1	1	1
2	CONTACT POWER TAB	COPPER ALLOY	3.0 μm Ag MIN ALL OVER.	2	-	2	2
1	HOUSING	LCP GF UL94V-0	NA	1	1	1	1

2042274-9	WITH/OUT DETECTION CONTACTS	-	2	-	-
2042274-8	WITH/OUT DETECTION CONTACTS	4	4	4	-
2042274-7	WITH/OUT DETECTION CONTACTS	-	1	1	1
2042274-6	WITH/OUT DETECTION CONTACTS	2	-	2	2

THIS DRAWING IS A CONTROLLED DOCUMENT.

DWN: J.VOS 22-Apr-08  
 CHK: R.LOKKER 22-Apr-08  
 APVD: R.V.D.SANDT

TE Connectivity

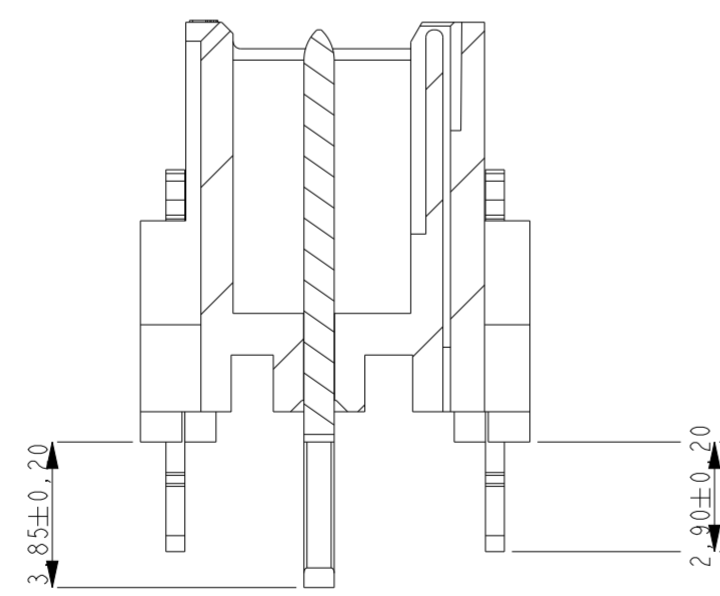
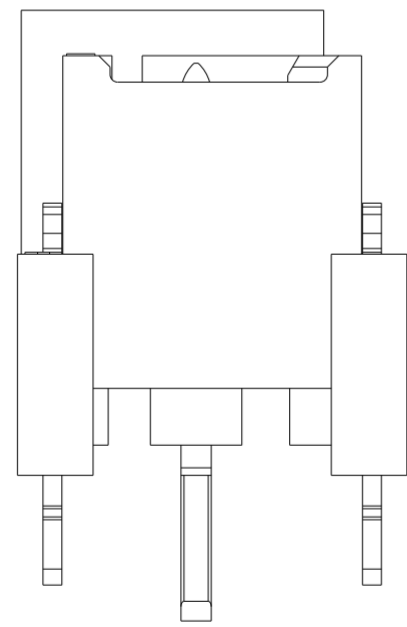
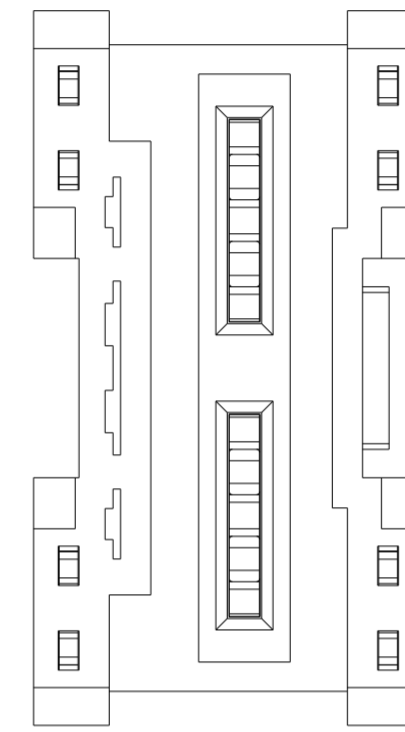
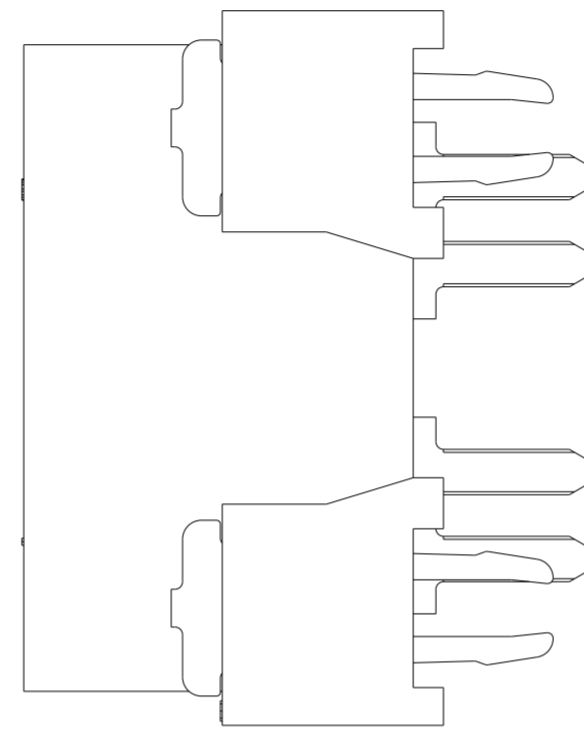
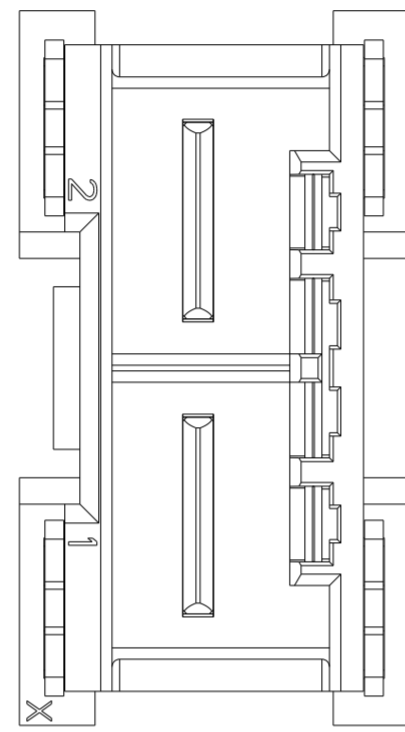
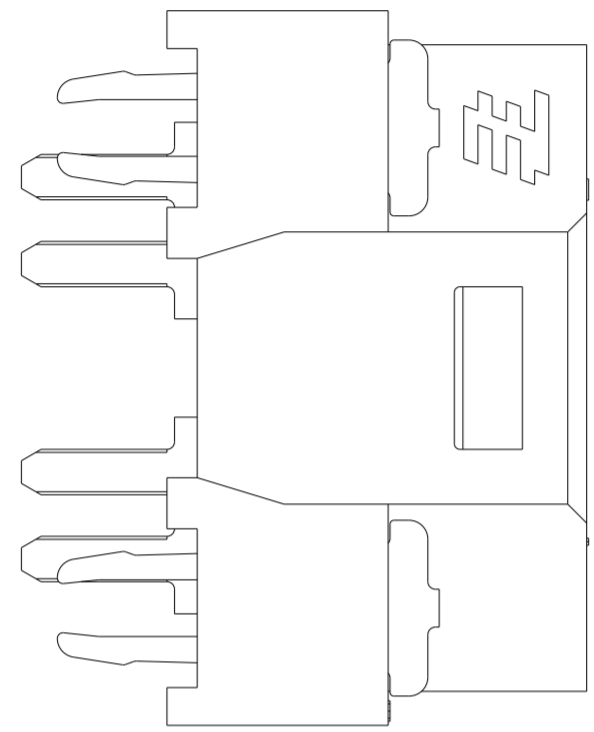
ELCON Mini, 2-position header vertical

SIZE: A2 CAGE CODE: 00779 DRAWING NO: C-2042274

SCALE: 3:1 SHEET: 3 OF 4 REV: D

THIS DRAWING IS UNPUBLISHED. RELEASED FOR PUBLICATION  
 © COPYRIGHT - TE CONNECTIVITY ALL RIGHTS RESERVED.

LOC		DIST		REVISIONS			
P	LTR	DESCRIPTION	DATE	DWN	APVD		
-	-	SEE SHEET 1	-	-	-		



SECTION A - A

1-2042274-0 IS SHOWN TO SHOW THE TAIL LENGTH FOR POWER CONTACT AND HOLD DOWN.

OTHER DIMENSIONS REFER TO SHEET 1

1-2042274-0 SUPPORTS PIP PROCESS

THIS DRAWING IS A CONTROLLED DOCUMENT.		DWN J. VOS 22-Apr-08	TE Connectivity	
DIMENSIONS: mm		CHK R. LOKKER 22-Apr-08		
TOLERANCES UNLESS OTHERWISE SPECIFIED:		APVD R. V. D. SANDT	NAME ELCON Mini, 2-position header vertical	
0 PLC ±0,5 1 PLC ±0,1 2 PLC ±0,1 3 PLC ±0,1 4 PLC ± ANGLES ± FINISH		PRODUCT SPEC 108-19346	RESTRICTED TO	
MATERIAL		APPLICATION SPEC 114-19110	SIZE A2	CAGE CODE 00779
-		WEIGHT -	DRAWING NO C-2042274	
-		CUSTOMER DRAWING		SCALE 3:1 SHEET 4 OF 4 REV D

## X-ON Electronics

Largest Supplier of Electrical and Electronic Components

*Click to view similar products for [Power to the Board](#) category:*

*Click to view products by [TE Connectivity](#) manufacturer:*

Other Similar products are found below :

[6450171-4](#) [6450552-7](#) [6600323-8](#) [6643429-1](#) [6646040-2](#) [6651939-1](#) [6766604-1](#) [120959-1](#) [1393557-2](#) [1393532-2](#) [1393532-3](#) [1393532-4](#)  
[1393557-1](#) [1600812-5](#) [1-6450861-2](#) [1744132-7](#) [1761122-1](#) [1766250-1](#) [1892109-1](#) [2-6450860-5](#) [2-6450870-0](#) [1-6450161-4](#) [1-6450850-6](#) [1-6450869-6](#) [1645526-2](#) [1-6600130-0](#) [2005243-2](#) [377-0020-11130](#) [TE34-12-16P-F0](#) [5-6450830-6](#) [5646956-4](#) [377-0080-11131A](#) [4-6450830-9](#)  
[4-6600333-3](#) [10125416-4050LF](#) [6600320-3](#) [3-6450860-5](#) [1888123-2](#) [6450166-1](#) [6643978-1](#) [6766605-1](#) [701-15-02109](#) [N11444](#) [6651938-1](#)  
[6450810-7](#) [46437-1112](#) [1-1589677-8](#) [5646956-5](#) [6450813-2](#) [6450129-4](#)