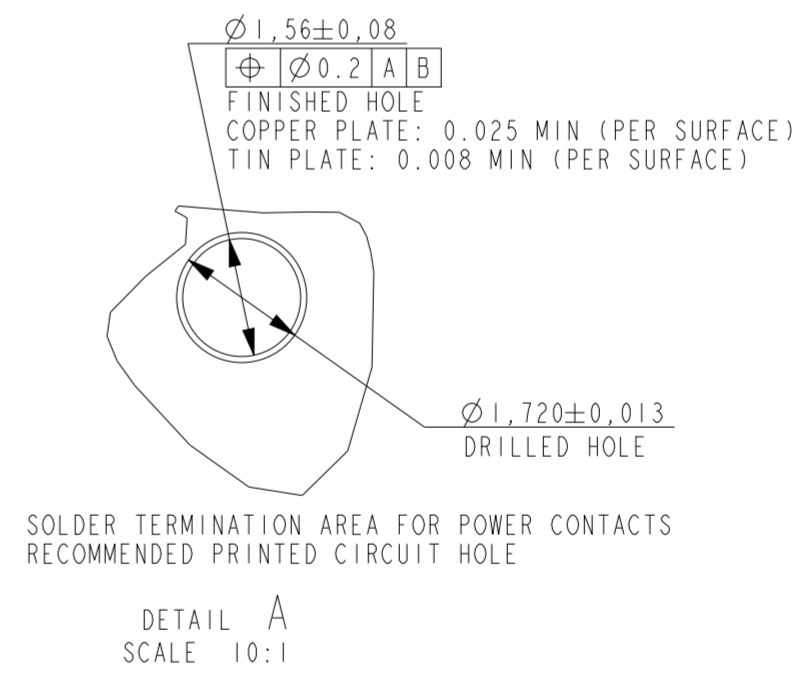
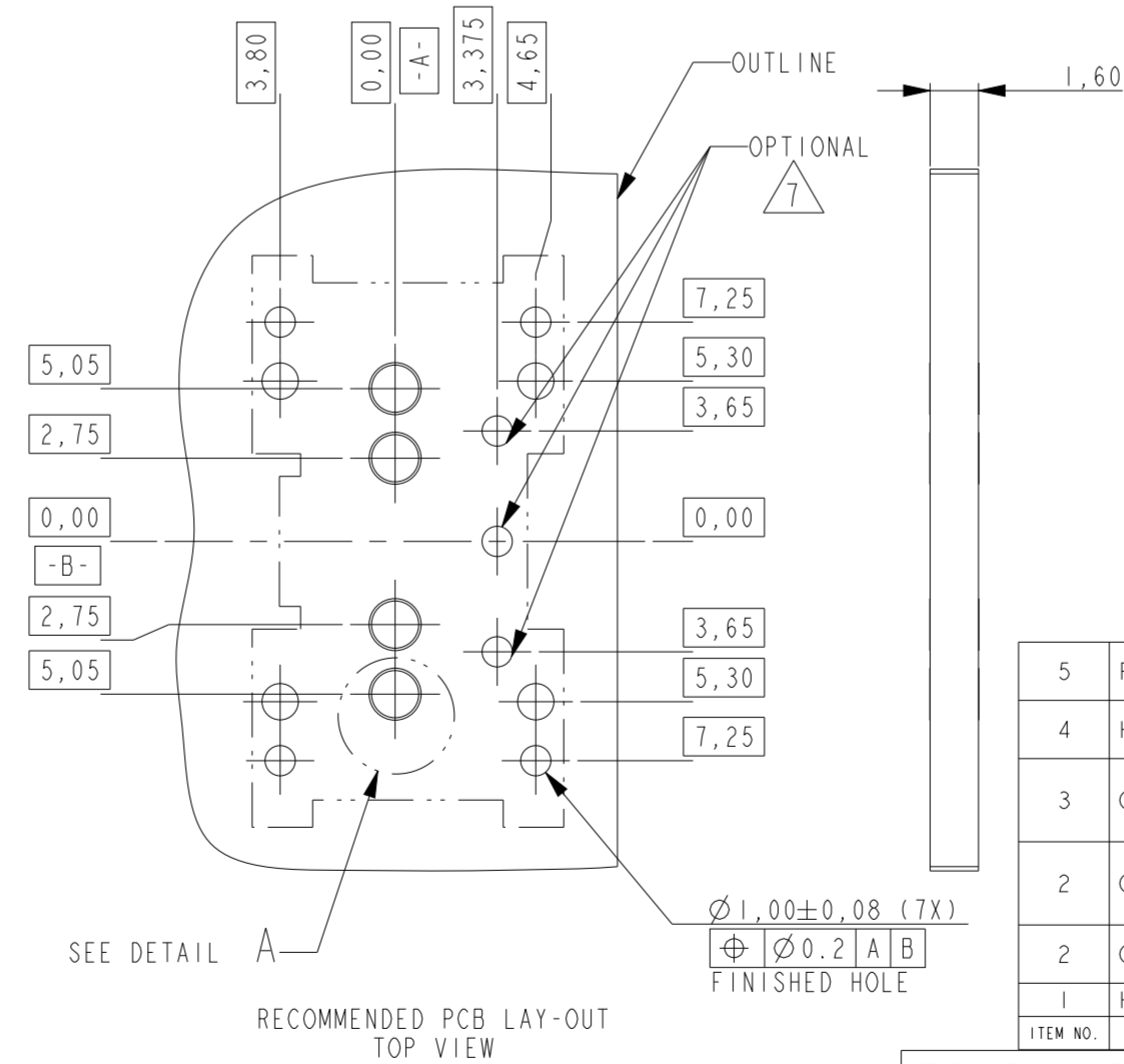
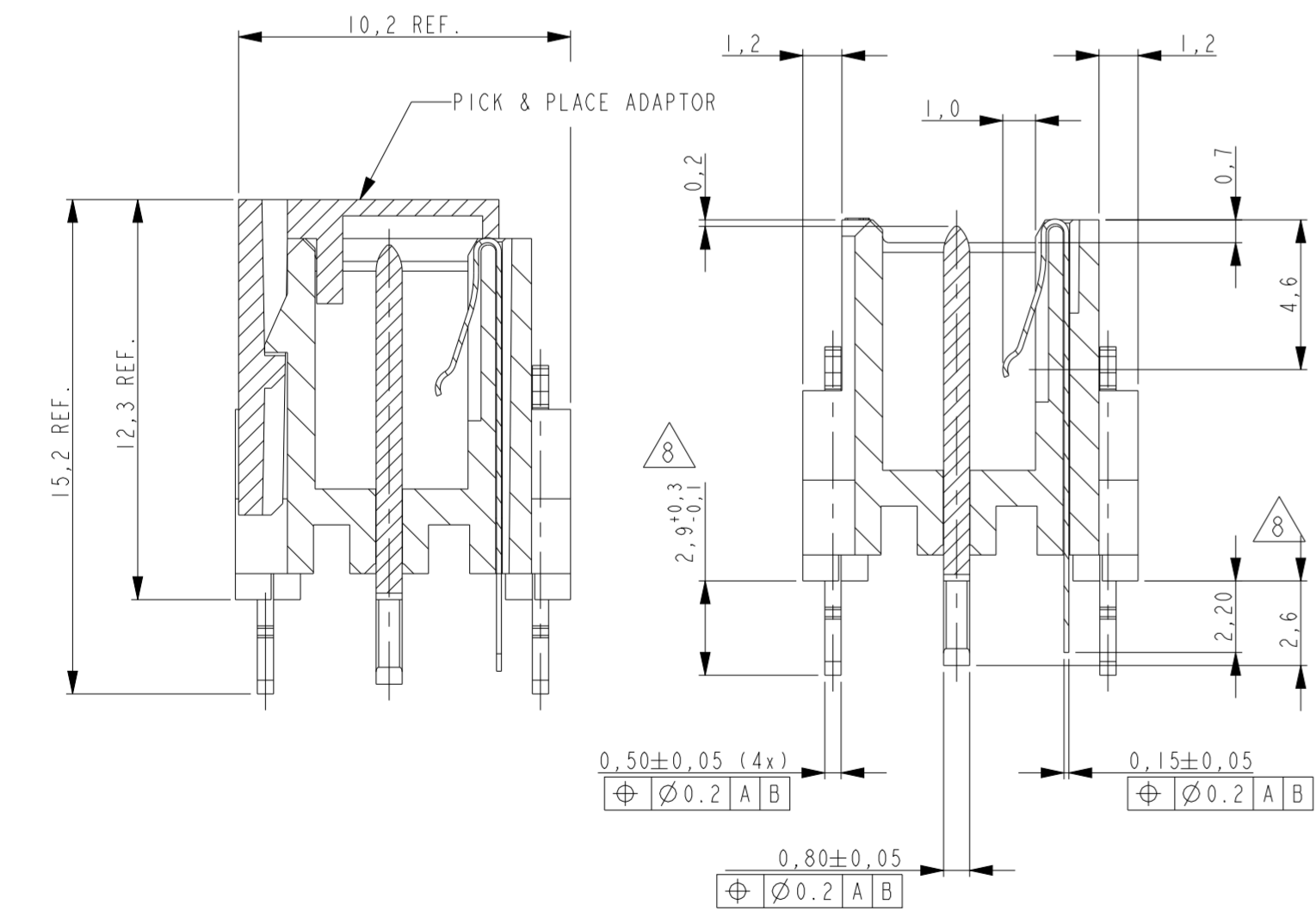
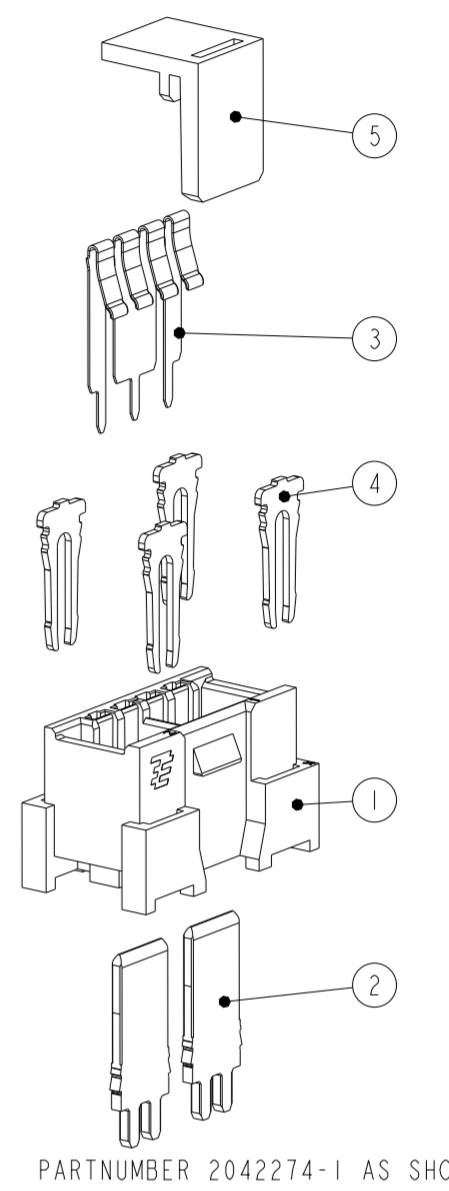
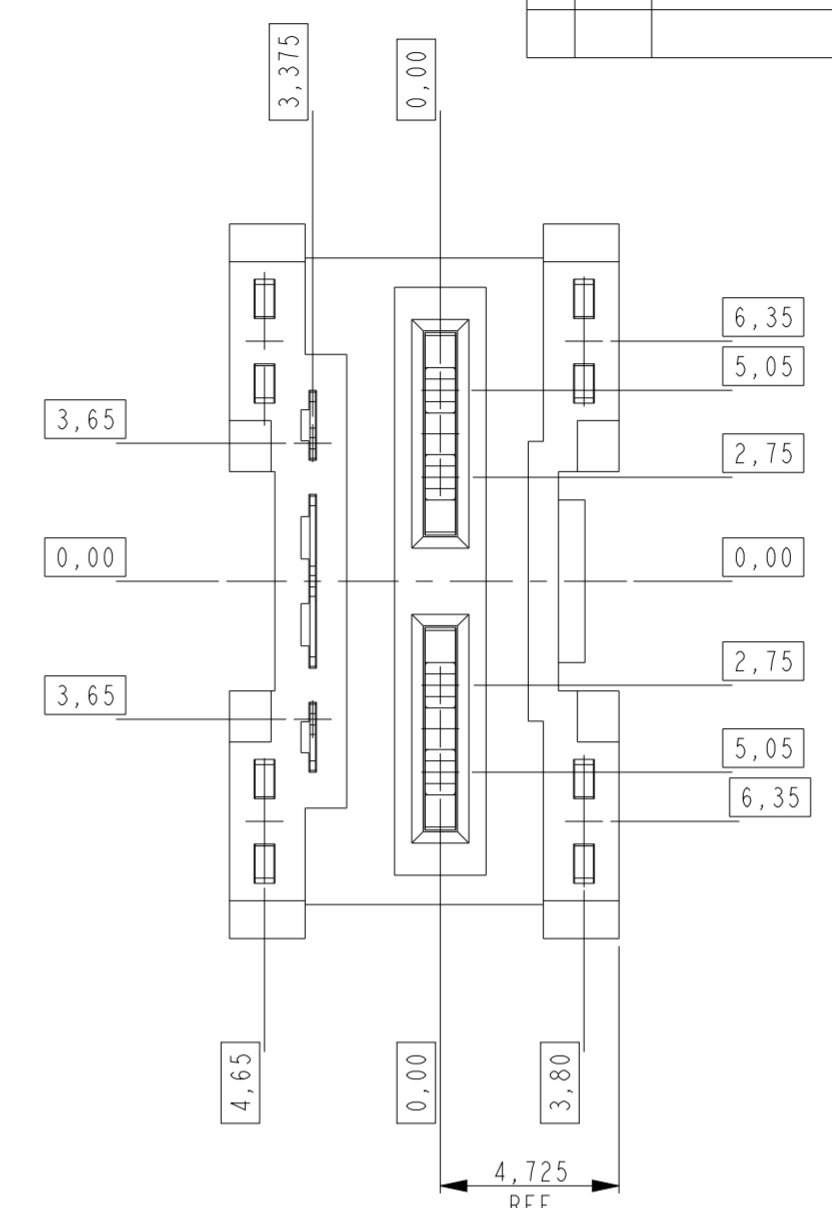
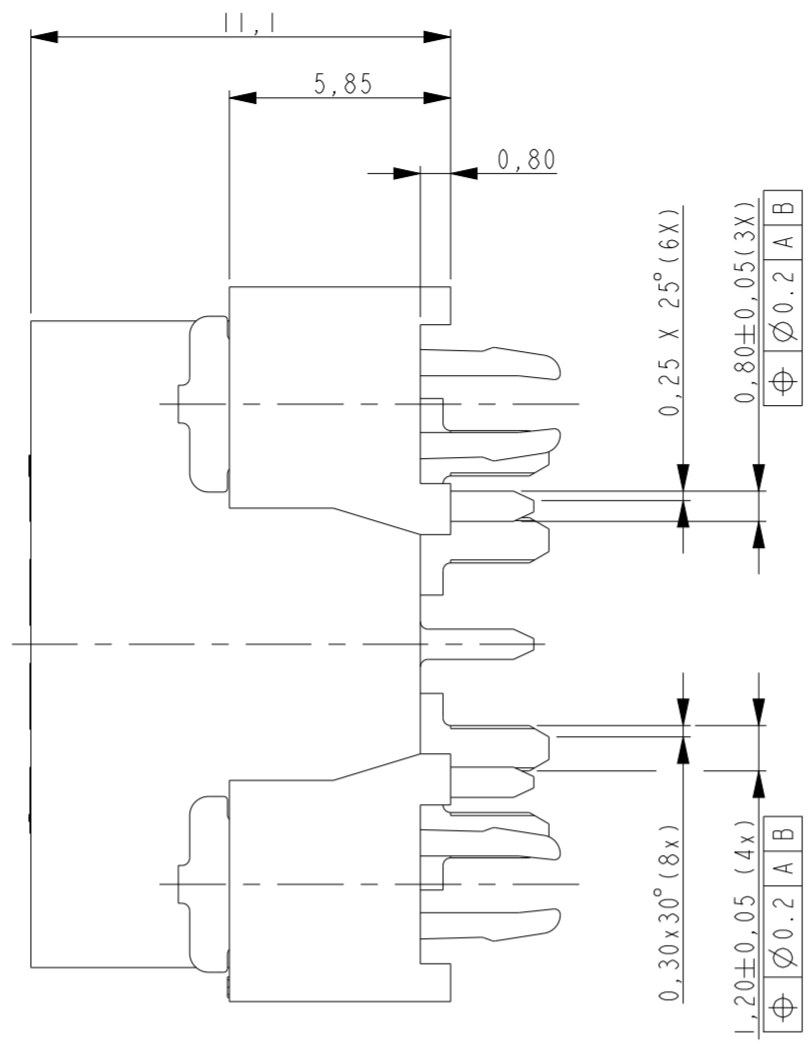
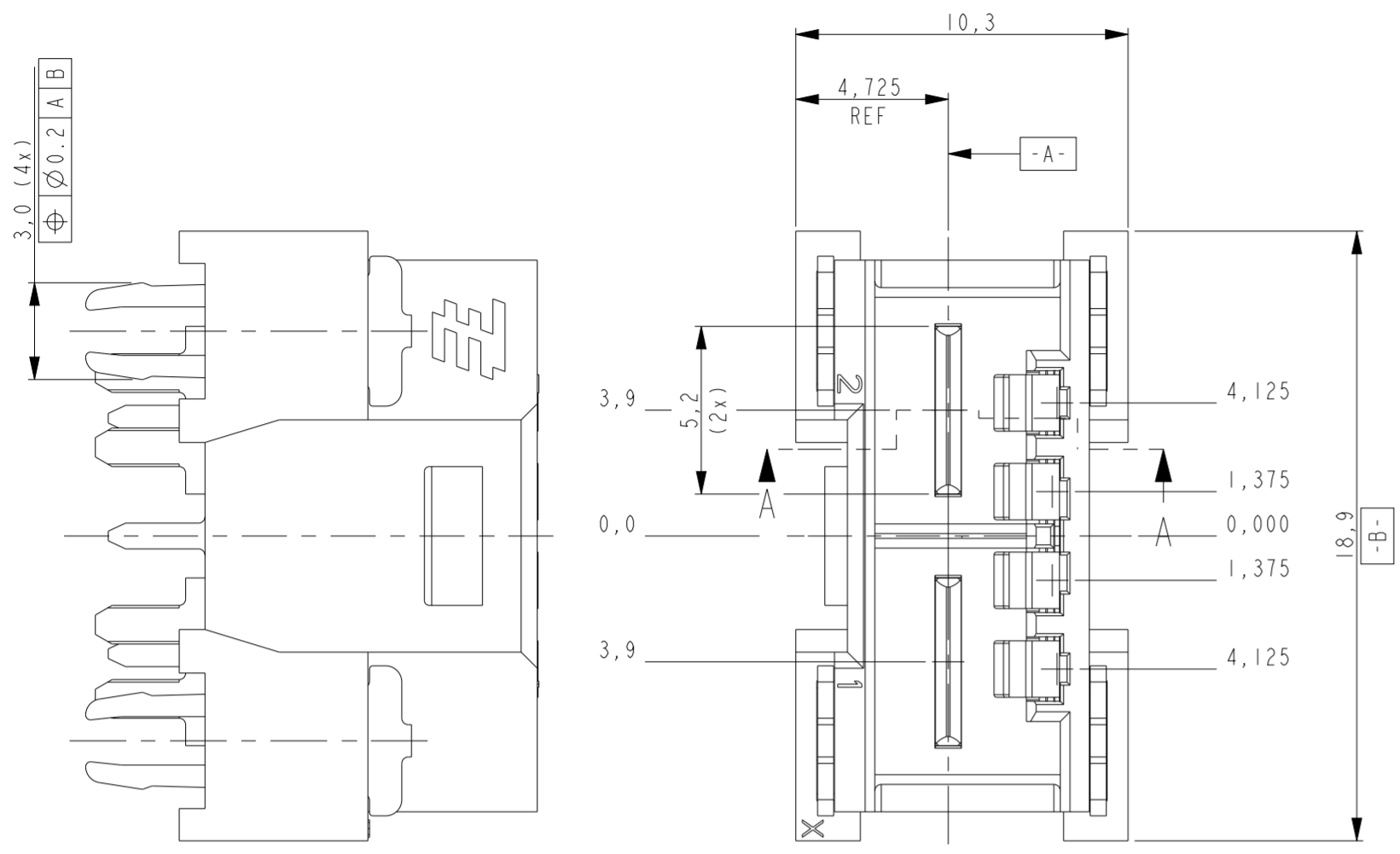


THIS DRAWING IS UNPUBLISHED. RELEASED FOR PUBLICATION
 © COPYRIGHT - TE CONNECTIVITY ALL RIGHTS RESERVED.

| LOC | | DIST | | REVISIONS | | | | |
|-----|-----|----------------|-----------|-----------|------|--|--|--|
| P | LTR | DESCRIPTION | DATE | DWN | APVD | | | |
| | C9 | UDPATE FOR I-0 | 12MAR2021 | OL | SH | | | |



| ITEM NO. | DESCRIPTION | MATERIAL | FINISH | QTY | QTY | QTY | QTY | QTY |
|----------|--------------------|----------------|--------------------------------------------------------------------------------------|-----|-----|-----|-----|-----|
| 5 | PICK&PLACE ADAPTOR | POLYAMIDE | NA | 1 | - | 1 | 1 | 1 |
| 4 | HOLD DOWN | DIN1544 CK75 | 5.0 μm Sn MIN OVER 2.5 μm Ni MIN ALL OVER. | 4 | 4 | 4 | 4 | 4 |
| 3 | CONTACT DETECTION | SOPPER ALLOY | 0.8 μm Au MIN. IN CONTACT PLACE, Au FLASH IN SOLDER AREA OVER 1.27μm Ni MIN ALL OVER | - | 1 | 1 | - | 1 |
| 2 | CONTACT POWER TAB | COPPER ALLOY | 1.2μm Ni MIN. ALL OVER 0.8μm Au MIN AT MATING ZONE Au FLASH AT SOLDER ZONE | - | - | 2 | - | - |
| 2 | CONTACT POWER TAB | COPPER ALLOY | 3.0 μm Ag MIN ALL OVER. | 2 | 2 | - | 2 | 2 |
| 1 | HOUSING | LCP GF UL94V-0 | NA | 1 | 1 | 1 | 1 | 1 |

| ITEM NO. | DESCRIPTION | MATERIAL | FINISH | QTY | QTY | QTY | QTY |
|-------------|----------------------------|----------|--------|-----|-----|-----|-----|
| 1-2042274-0 | WITHOUT DETECTION CONTACTS | | | 1 | 1 | 1 | 1 |
| 2042274-5 | WITHOUT ADAPTOR | | | 4 | 4 | 4 | 4 |
| 2042274-4 | WITH DETECTION CONTACTS | | | 1 | 1 | 1 | 1 |
| 2042274-2 | WITHOUT DETECTION CONTACTS | | | 1 | 1 | 1 | 1 |
| 2042274-1 | WITH DETECTION CONTACTS | | | 1 | 1 | 1 | 1 |

NOTE:
 8: TAIL LENGTH FOR 1-2042274-0 REFER TO PAGE 4

THIS DRAWING IS A CONTROLLED DOCUMENT.

DWN: J.VOS 22-Apr-08
 CHK: R.LOKKER 22-Apr-08
 APVD: R.V.D.SANDT

TE Connectivity

ELCON Mini, 2-position header vertical

108-19346
 114-19110

SIZE: A2 CAGE CODE: 00779 DRAWING NO: C-2042274 RESTRICTED TO: C9

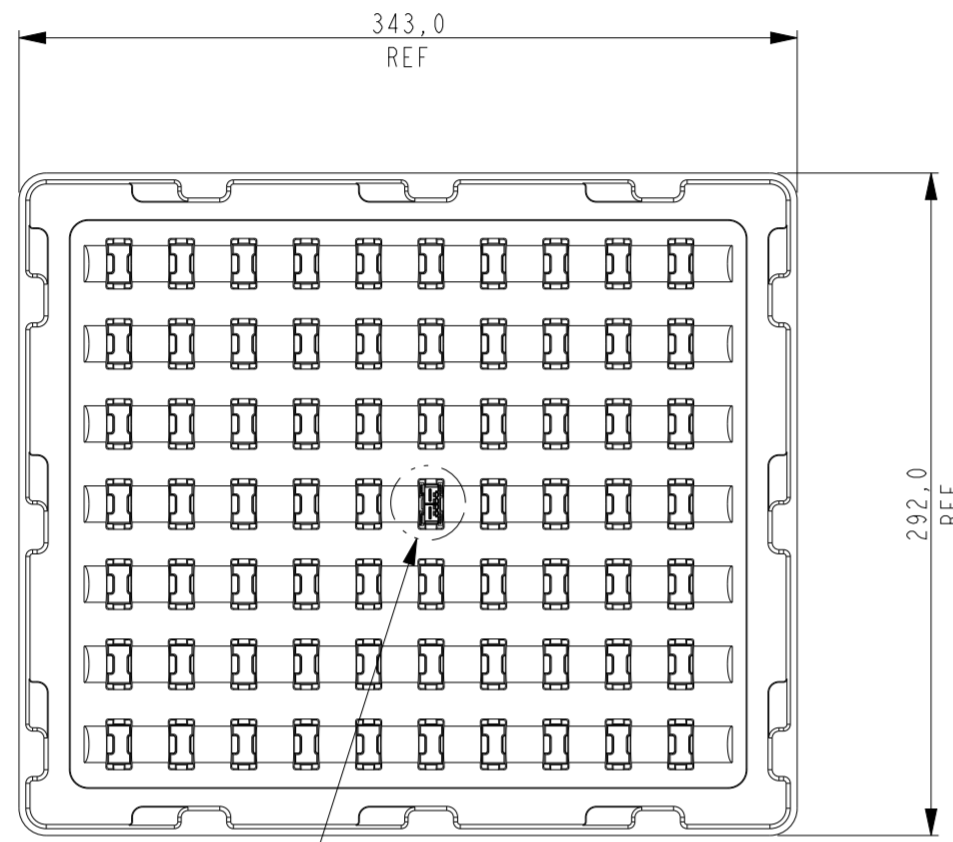
SCALE: 5:1 SHEET: 1 OF 4 REV: C9

THIS DRAWING IS UNPUBLISHED. RELEASED FOR PUBLICATION
 © COPYRIGHT - TE CONNECTIVITY ALL RIGHTS RESERVED.

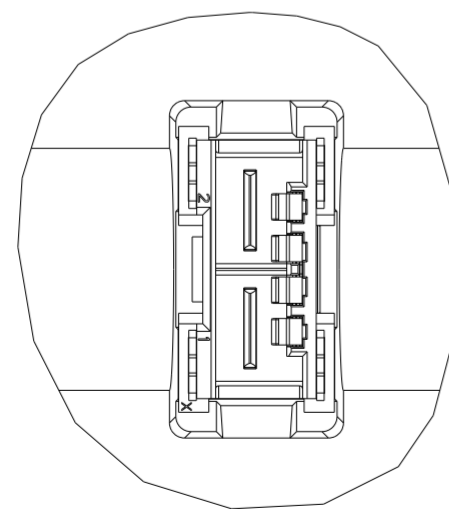
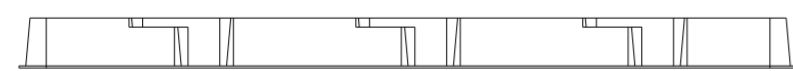
| LOC | DIST | REVISIONS | | | |
|-----|------|-------------|------|-----|------|
| P | LTR | DESCRIPTION | DATE | DWN | APVD |
| H | - | SEE SHEET 1 | - | - | - |
| | | | | | |
| | | | | | |

NOTES:

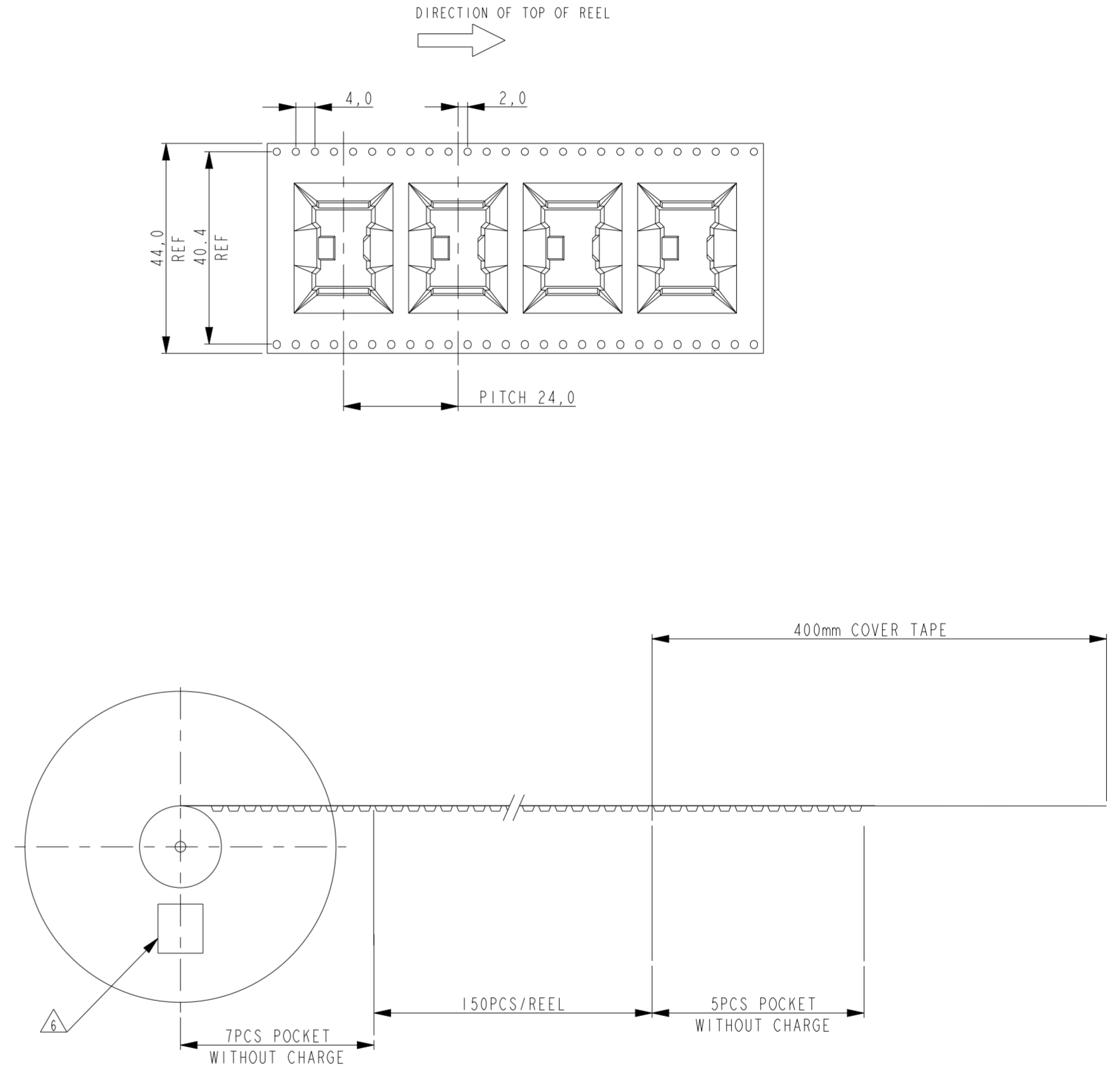
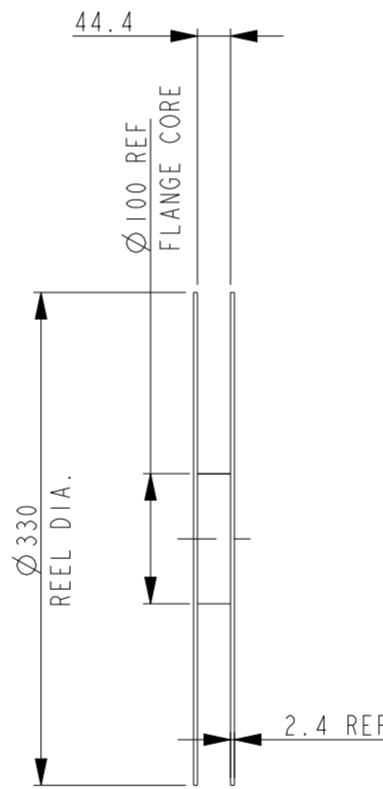
1. TRAY (PN 1961242-1) PACKAGING IS ONLY FOR PN 2042274-5



SEE DETAIL B



DETAIL B



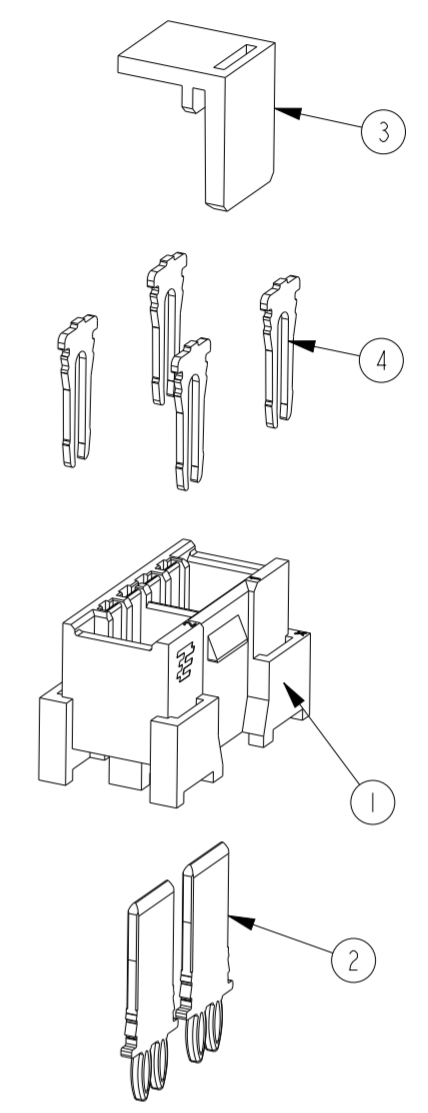
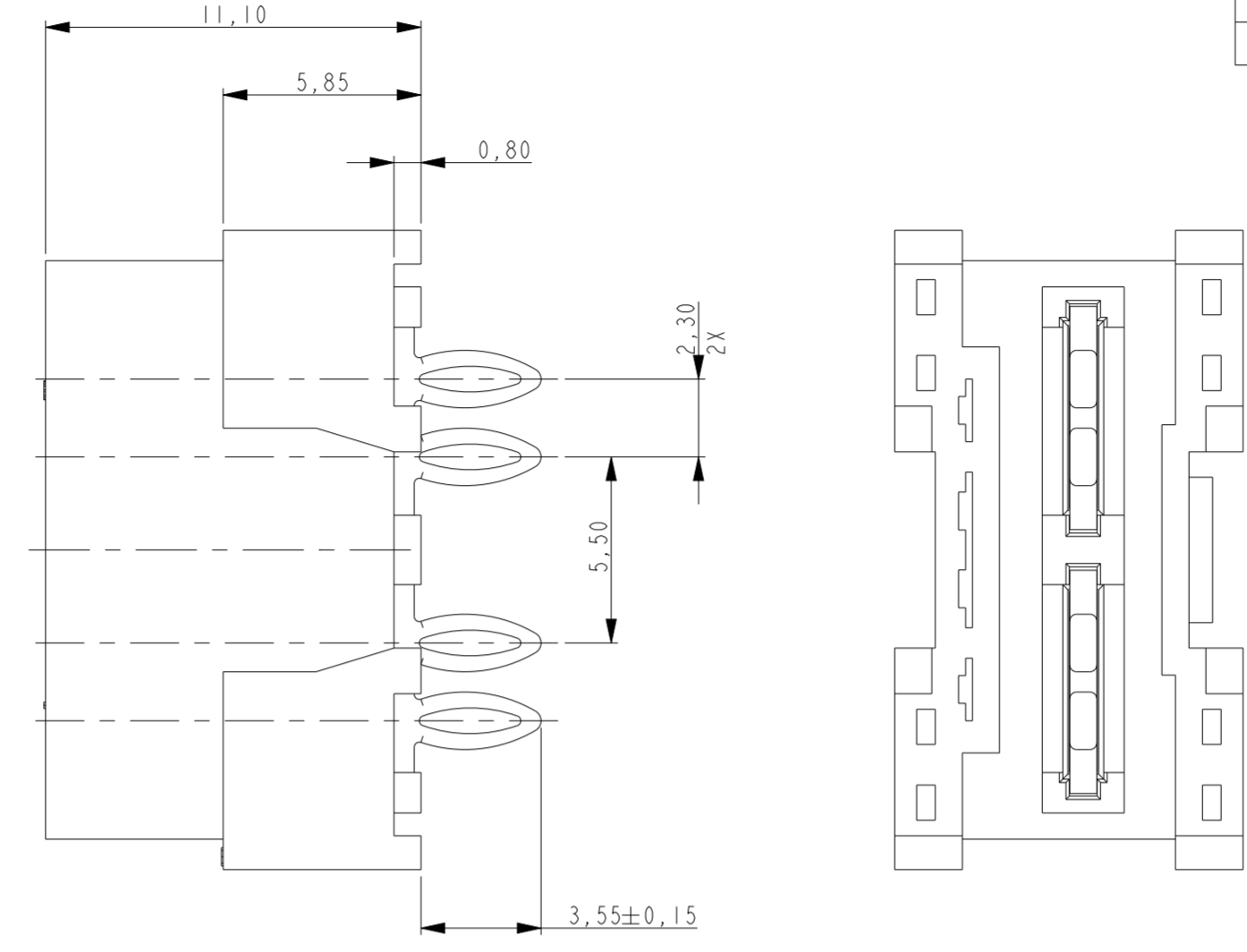
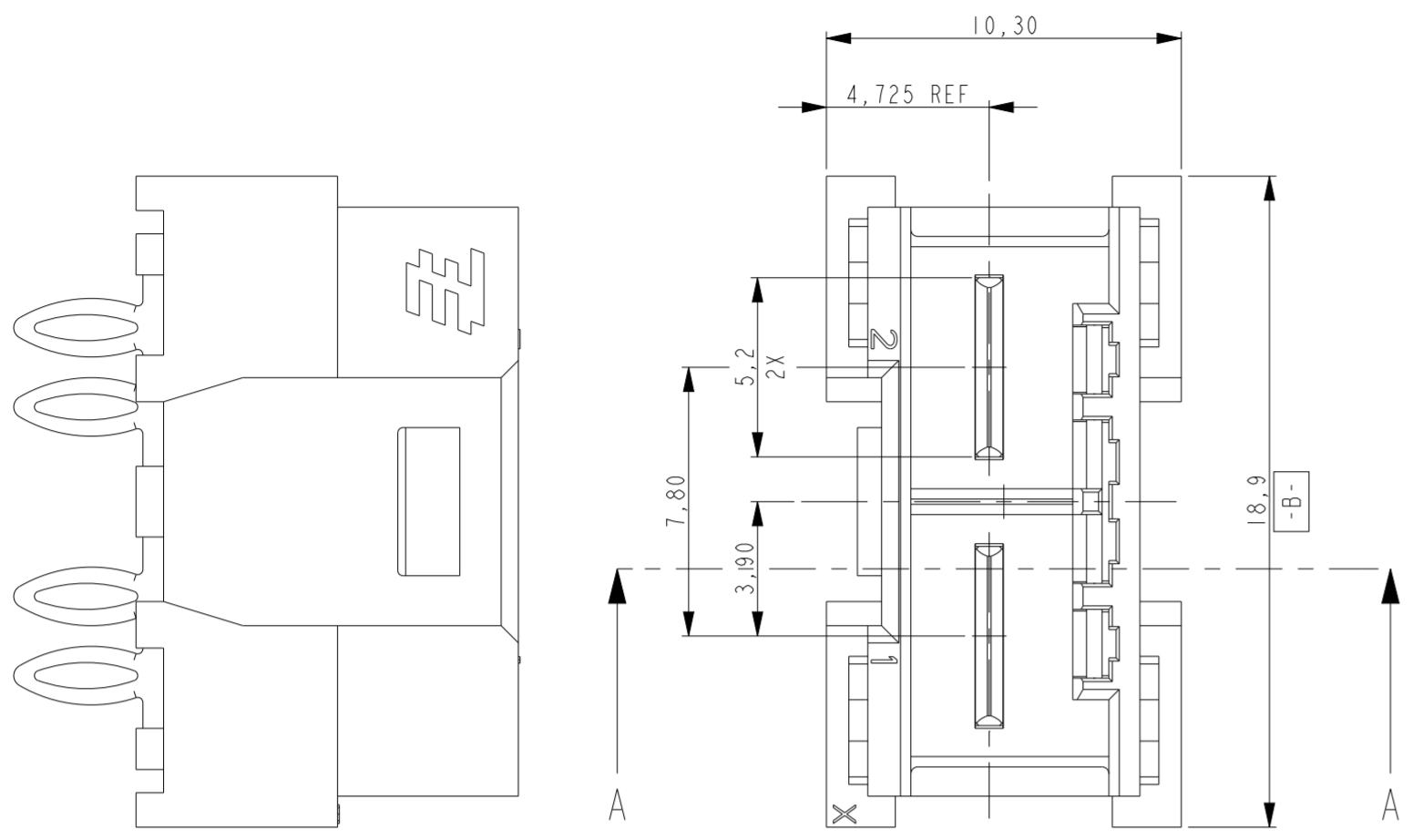
NOTES:

- 1 MATERIAL: BALCK POLYSTYRENE PLASTIC FOR CARRIER TAPE.
- 2 10 SPROCKET HOLES PITCH CUMULATIVE TOLERANCE +/-0,20.
- 3 CARRIER CAMBER IS WITHIN 1 mm IN 250 mm.
- 4 ALL DIMENSIONS MEET EIA-481-C REQUIREMENTS.
- 5 THICKNESS: 0,50±0,05mm.
- △ LABEL
- △ OPTIONAL UNLESS CODING CONTACT IS REQUIRED

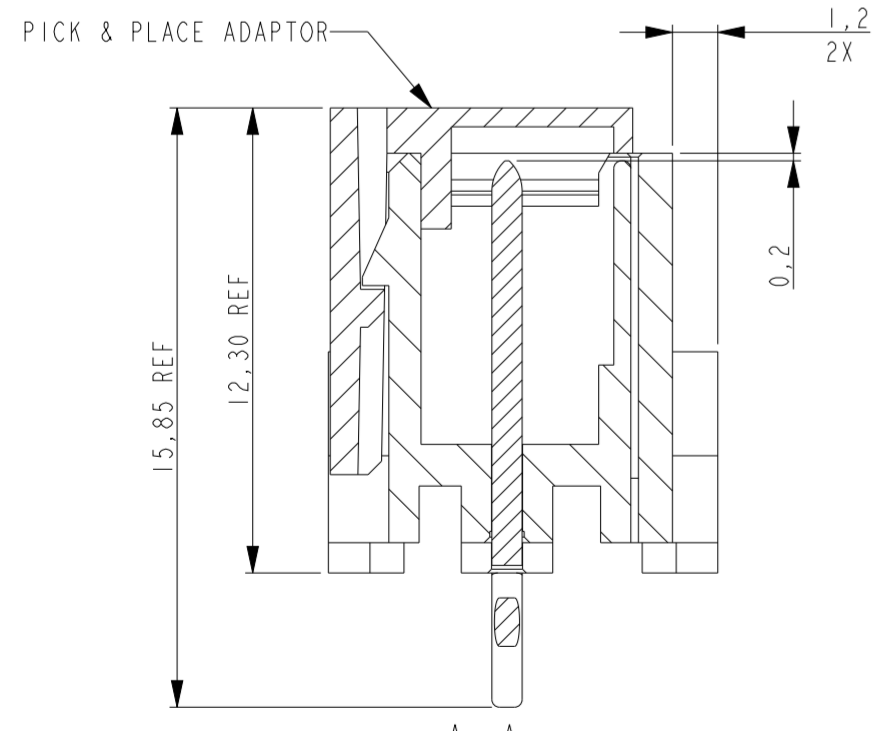
| | | | | |
|-----------------------------------------------------------------------------------------------------------------------------------|--|-------------------------------|------------------------------------------------|--------------------|
| THIS DRAWING IS A CONTROLLED DOCUMENT. | | DWN J.VOS 22-Apr-08 | TE Connectivity | |
| | | CHK R.LOKKER 22-Apr-08 | | |
| DIMENSIONS: mm | | APVD R.V.D.SANDT | NAME ELCON Mini, 2-position header vertical | |
| TOLERANCES UNLESS OTHERWISE SPECIFIED: 0 PLC ±0,5 1 PLC ±0,1 2 PLC ±0,1 3 PLC ±0,1 4 PLC ± ANGLES ± FINISH ± | | PRODUCT SPEC 108-19346 | SIZE A2 | CAGE CODE 00779 |
| MATERIAL | | APPLICATION SPEC 114-19110 | DRAWING NO C-2042274 | RESTRICTED TO |
| | | WEIGHT | SCALE 1:1 | SHEET 2 OF 4 |
| | | CUSTOMER DRAWING | REV C9 | |

THIS DRAWING IS UNPUBLISHED. RELEASED FOR PUBLICATION
 © COPYRIGHT - TE CONNECTIVITY ALL RIGHTS RESERVED.

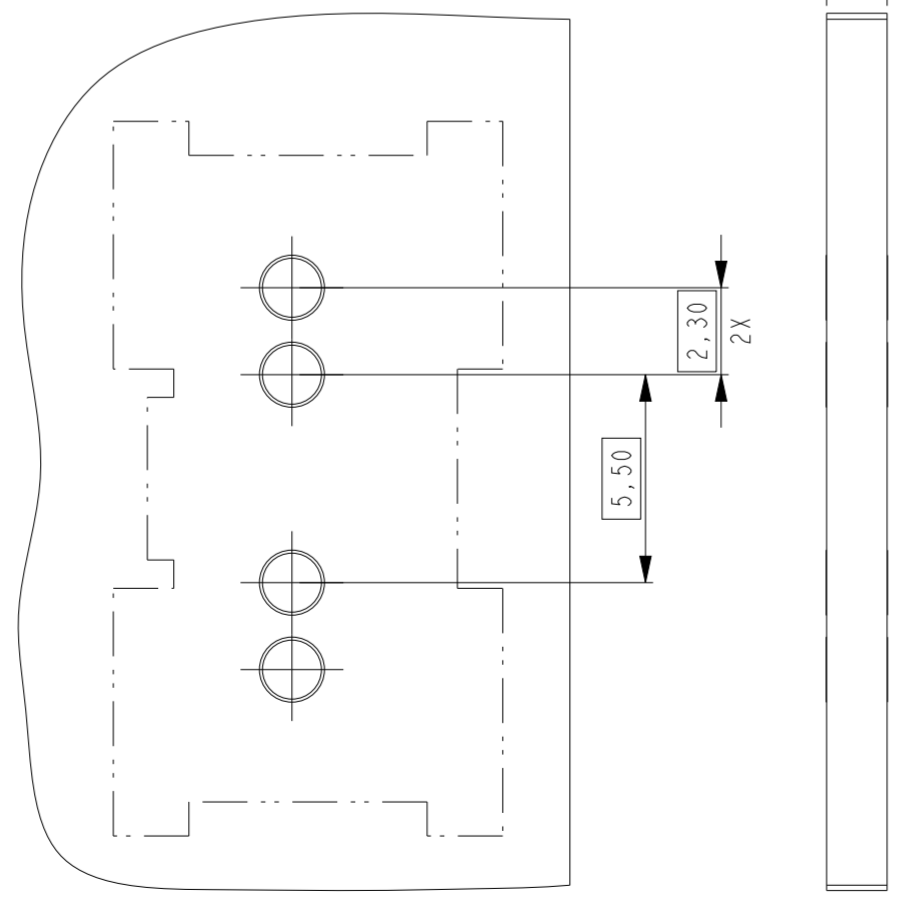
| LOC | | DIST | | REVISIONS | | | |
|-----|-----|-------------|------|-----------|------|--|--|
| P | LTR | DESCRIPTION | DATE | DWN | APVD | | |
| - | - | SEE SHEET 1 | - | - | - | | |



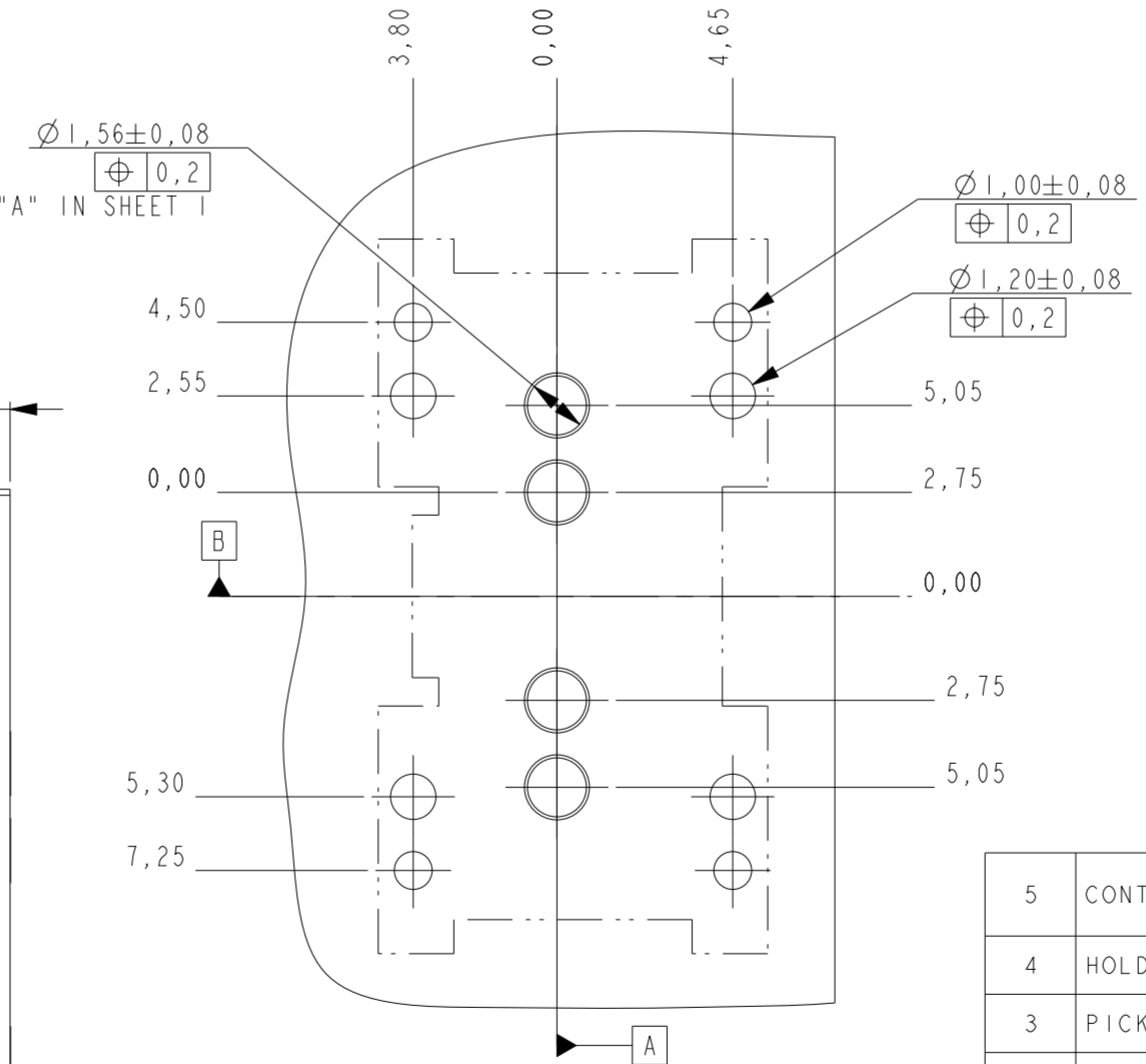
2042274-7 AS SHOWN



SECTION A-A
SCALE 5:1



LAYOUT FOR -6, PCB THICKNESS 145 MIN



LAYOUT FOR PRESSFIT, PCB THICKNESS 145 MIN.

| ITEM NO. | DESCRIPTION | MATERIAL | FINISH | QTY | QTY | QTY | QTY |
|----------|--------------------|----------------|--------------------------------------------------------------------------------|-----|-----|-----|-----|
| 5 | CONTACT POWER TAB | COPPER ALLOY | 0.8 μm Au AT MATING ZONE GOLD FLASH AT PRESS FIT ZONE OVER 1.27μM NICKEL | - | 2 | - | - |
| 4 | HOLD DOWN | DIN1544 CK75 | 5.0 μm Sn MIN OVER 2.5 μm Ni MIN ALL OVER. | 4 | 4 | 4 | - |
| 3 | PICK&PLACE ADAPTOR | POLYAMIDE | NA | - | 1 | 1 | 1 |
| 2 | CONTACT POWER TAB | COPPER ALLOY | 3.0 μm Ag MIN ALL OVER. | 2 | - | 2 | 2 |
| 1 | HOUSING | LCP GF UL94V-0 | NA | 1 | 1 | 1 | 1 |

| | | | | | |
|-----------|-----------------------------|---|---|---|---|
| 2042274-9 | WITH/OUT DETECTION CONTACTS | - | 2 | - | - |
| 2042274-8 | WITH/OUT DETECTION CONTACTS | 4 | 4 | 4 | - |
| 2042274-7 | WITH/OUT DETECTION CONTACTS | - | 1 | 1 | 1 |
| 2042274-6 | WITH/OUT DETECTION CONTACTS | 2 | - | 2 | 2 |

THIS DRAWING IS A CONTROLLED DOCUMENT.

DWN: J.VOS 22-Apr-08
 CHK: R.LOKKER 22-Apr-08
 APVD: R.V.D.SANDT

TE Connectivity
ELCON Mini, 2-position header vertical

NAME: R.V.D.SANDT
 PRODUCT SPEC: 108-19346
 APPLICATION SPEC: 114-19110

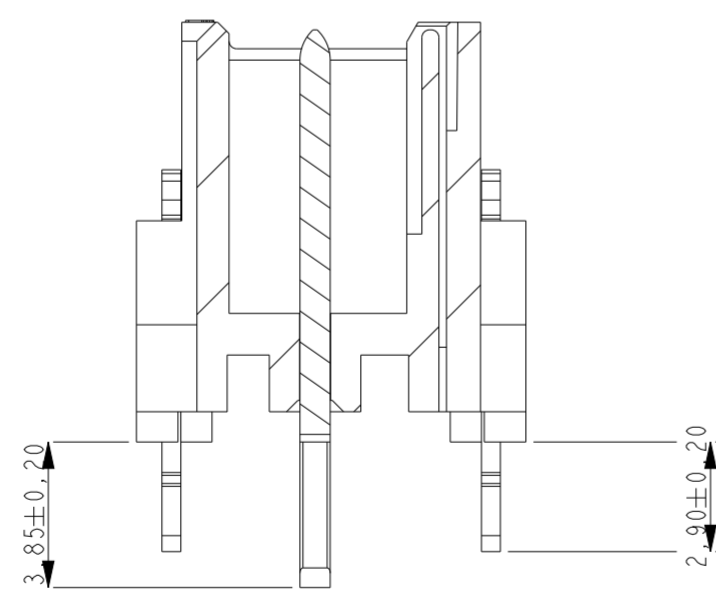
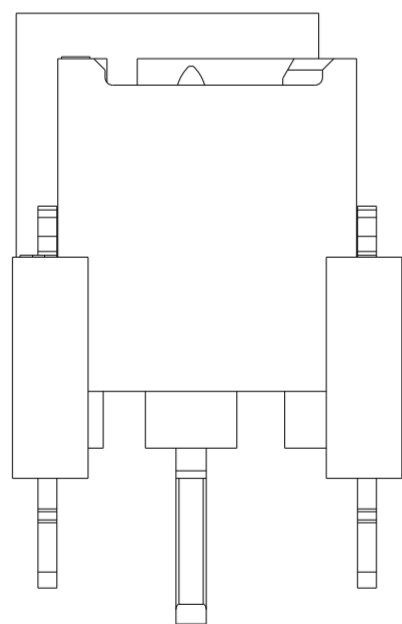
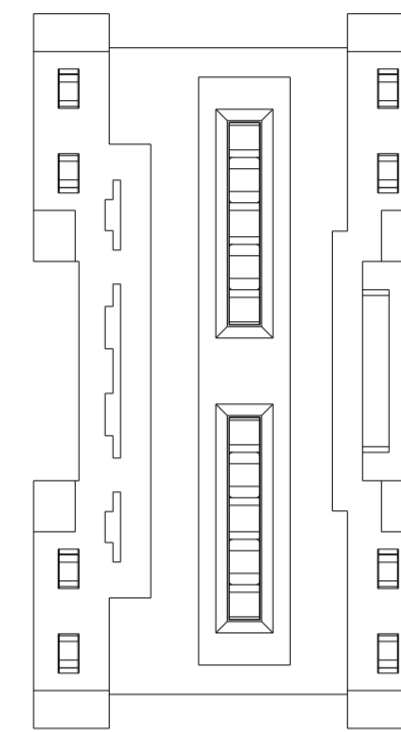
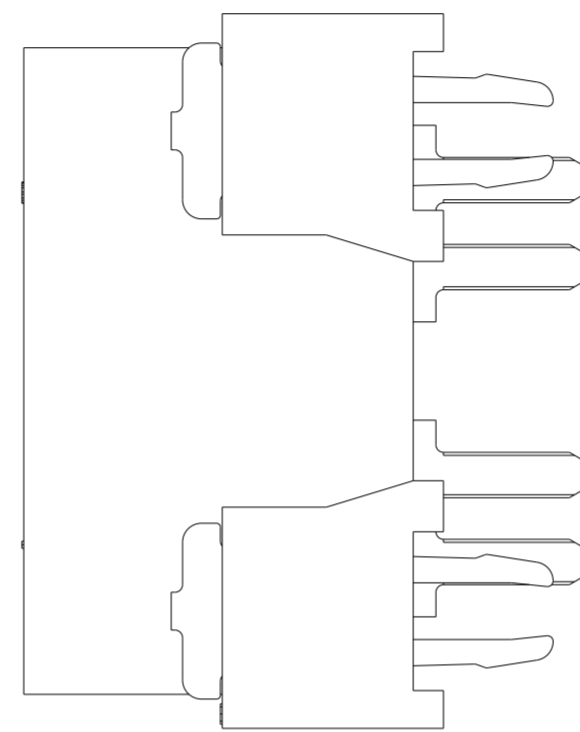
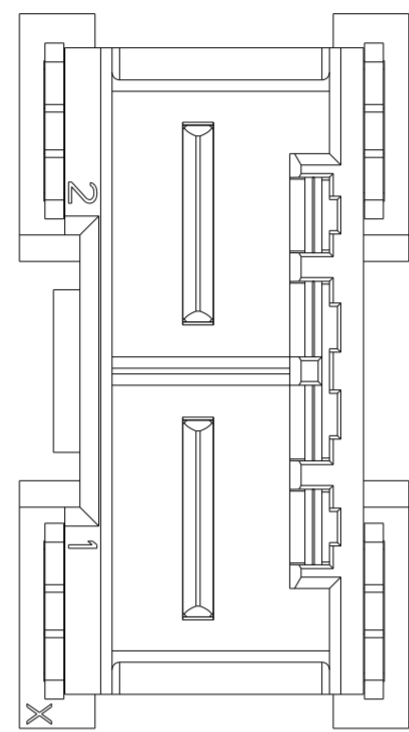
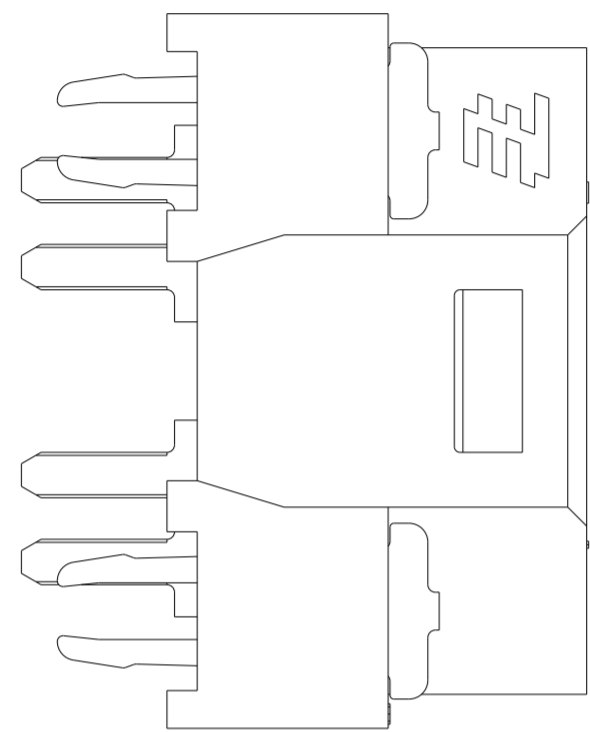
SIZE: A2
 CAGE CODE: 00779
 DRAWING NO: C-2042274

MATERIAL: -
 FINISH: -
 WEIGHT: -

CUSTOMER DRAWING
 SCALE: 1:1
 SHEET: 3 OF 4
 REV: C9

THIS DRAWING IS UNPUBLISHED. RELEASED FOR PUBLICATION
 © COPYRIGHT - TE CONNECTIVITY ALL RIGHTS RESERVED.

| LOC | | DIST | | REVISIONS | | | |
|-----|-----|-------------|------|-----------|------|--|--|
| P | LTR | DESCRIPTION | DATE | DWN | APVD | | |
| - | - | SEE SHEET 1 | - | - | - | | |
| | | | | | | | |
| | | | | | | | |



SECTION A - A

1-2042274-0 IS SHOWN TO SHOW THE TAIL LENGTH FOR POWER CONTACT AND HOLD DOWN.

OTHER DIMENSIONS REFER TO SHEET 1

1-2042274-0 SUPPORTS PIP PROCESS

THIS PRINT IS
PRELIMINARY
 UNQUALIFIED PRODUCT
 CONTACT PRODUCT ENGINEERING
 BEFORE USING THIS PRINT

| | | | | |
|---------------------------------------------------------------------------------------|--|-------------------------------|------------------------------------------------|--------------------|
| THIS DRAWING IS A CONTROLLED DOCUMENT. | | DWN J. VOS 22-Apr-08 | TE Connectivity | |
| DIMENSIONS: mm | | CHK R. LOKKER 22-Apr-08 | | |
| TOLERANCES UNLESS OTHERWISE SPECIFIED: | | APVD R. V. D. SANDT | NAME ELCON Mini, 2-position header vertical | |
| 0 PLC ±0,5 1 PLC ±0,1 2 PLC ±0,1 3 PLC ±0,1 4 PLC ± ANGLES ± FINISH | | PRODUCT SPEC 108-19346 | RESTRICTED TO | |
| MATERIAL | | APPLICATION SPEC 114-19110 | SIZE A2 | CAGE CODE 00779 |
| | | WEIGHT - | DRAWING NO C-2042274 | REV C9 |
| | | CUSTOMER DRAWING | SCALE 1:1 | SHEET 4 OF 4 |

X-ON Electronics

Largest Supplier of Electrical and Electronic Components

Click to view similar products for [Headers & Wire Housings](#) category:

Click to view products by [TE Connectivity](#) manufacturer:

Other Similar products are found below :

[892-18-020-10-001101](#) [58102-G61-06LF](#) [582553-1](#) [0009485154](#) [009176003701906](#) [0050291907](#) [LY20-4P-DT1-P1E-BR](#) [02.125.8002.8](#)
[609-3404](#) [61062-3](#) [61082-181009](#) [622-3653LF](#) [63453-116](#) [636-1030](#) [636-1427](#) [636-3427](#) [636-4007](#) [641938-9](#) [641991-4](#) [644827-2](#) [65817-](#)
[010LF](#) [65817-015LF](#) [65863-015LF](#) [66207-023LF](#) [67095-007LF](#) [67601157](#) [68645-018](#) [68648-049](#) [70.362.1628.0](#) [70-4210](#) [70-4226B](#) [70-](#)
[4853B](#) [707-5020](#) [707-5028](#) [71.350.2428.0](#) [71918-208LF](#) [71961-016LF](#) [733-134](#) [733-162](#) [754199-000](#) [760-3052](#) [787-8014-00](#) [79531-3000](#)
[FCN-360C032-B](#) [FCN-367T-T012/H](#) [FCN-723D010/2](#) [80.063.4001.1](#) [800-90-001-10-001000](#) [800-90-010-10-002000](#) [801-43-002-10-013000](#)