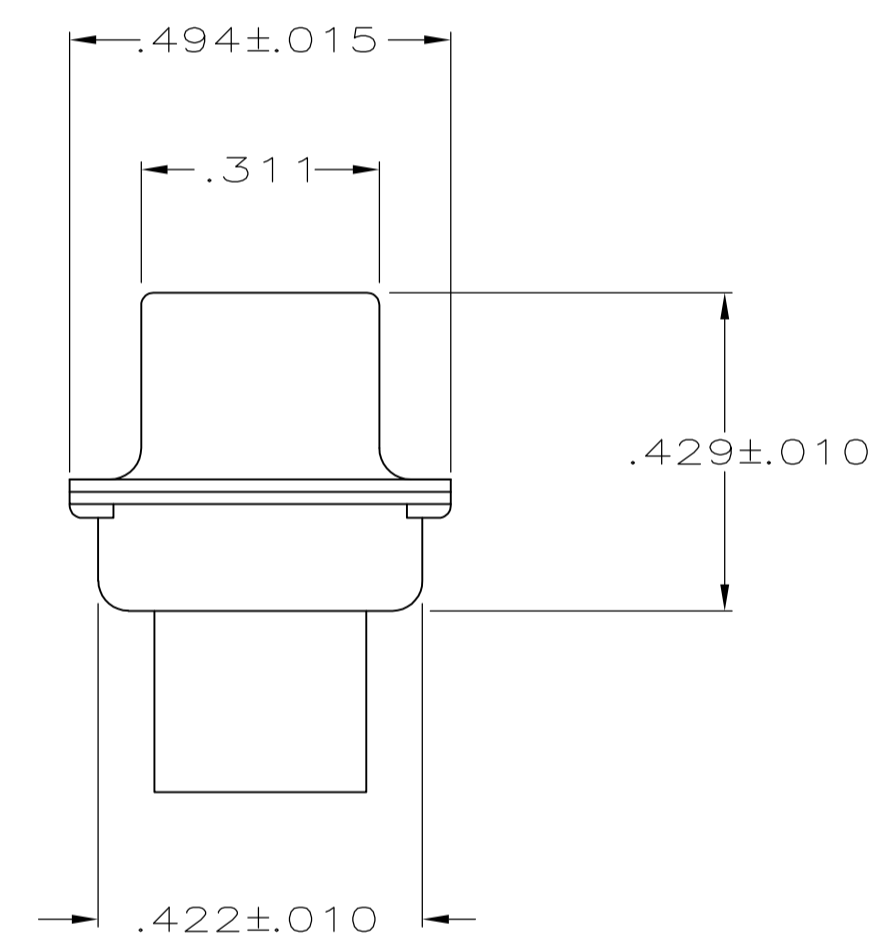
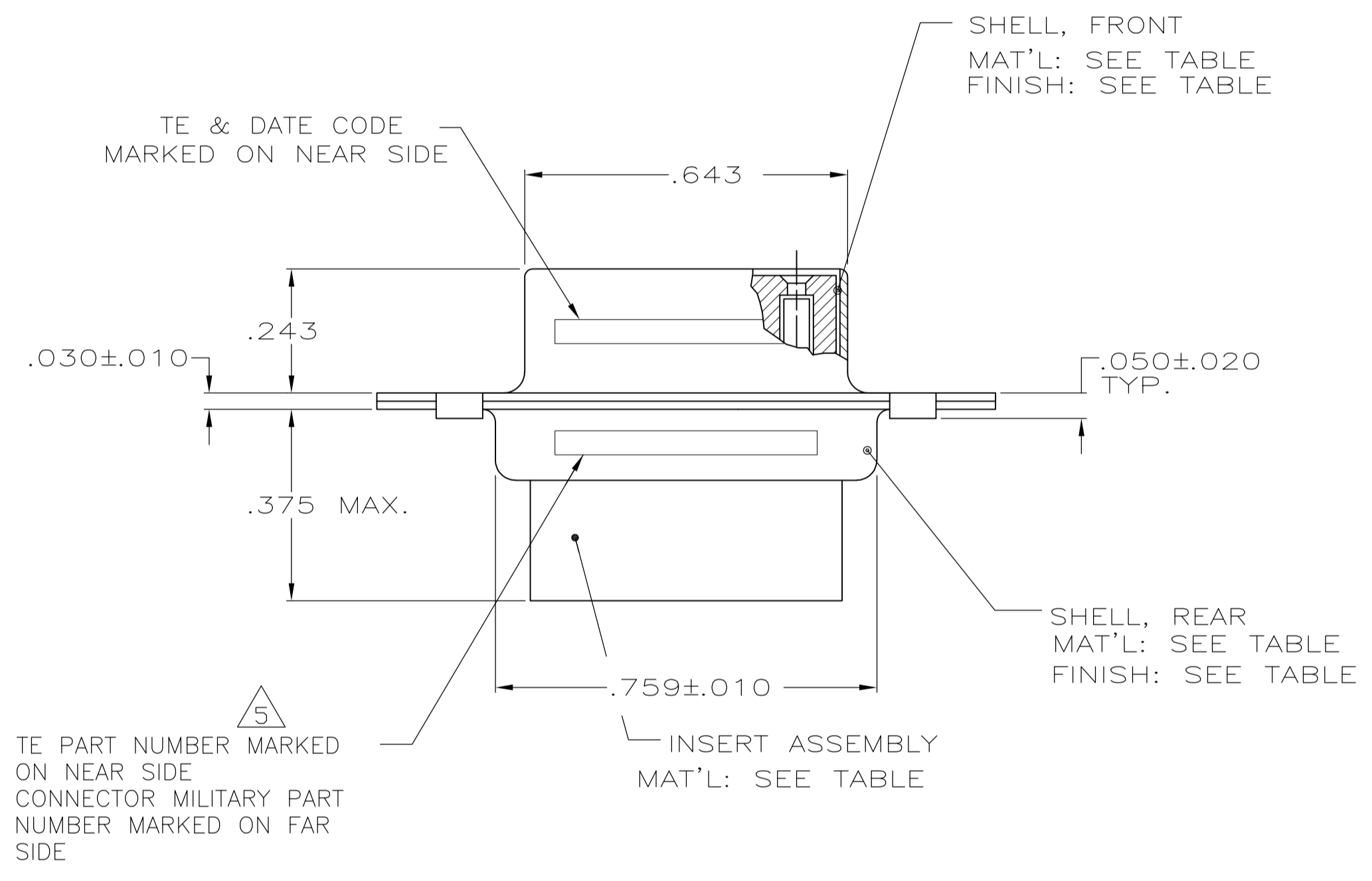
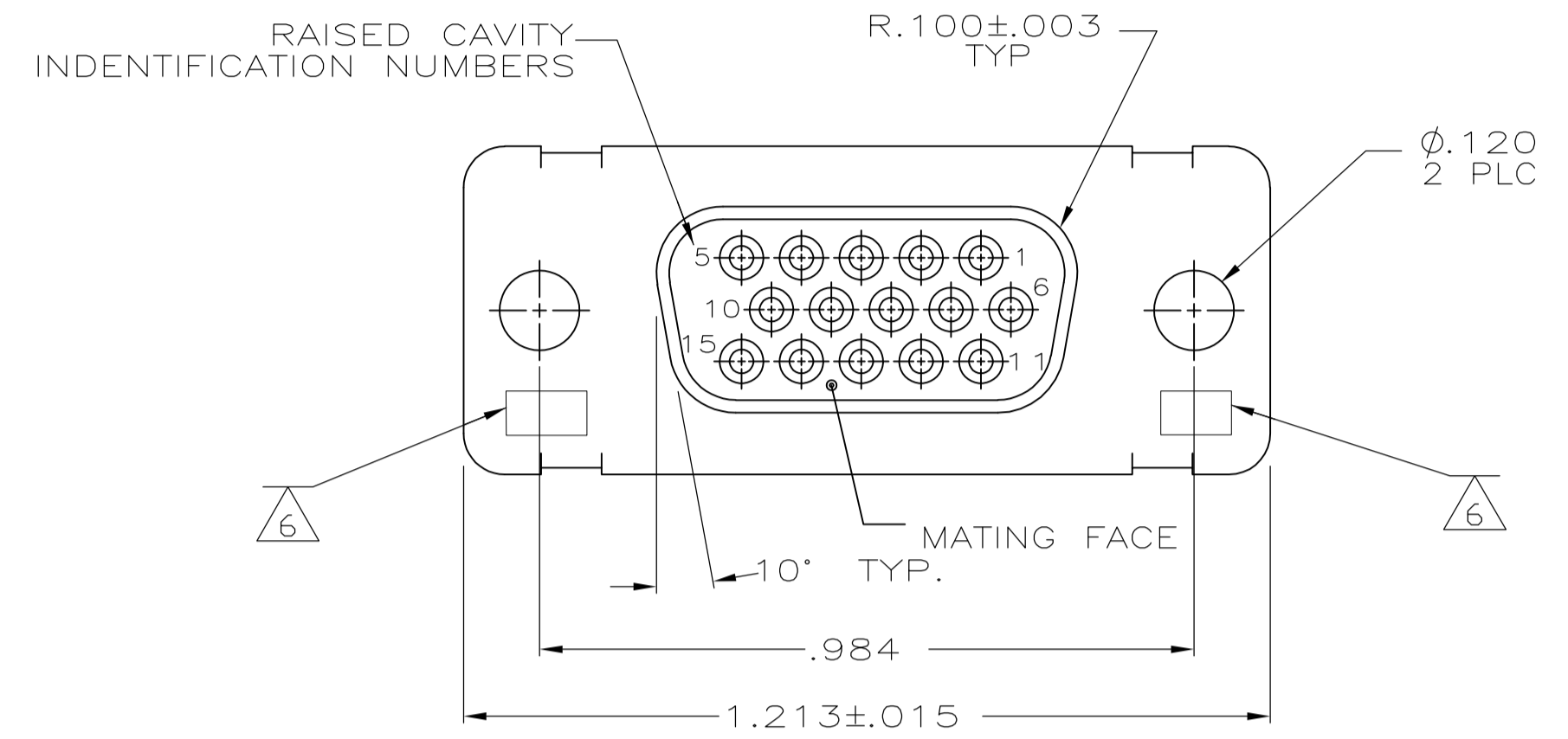


LOC		DIST		REVISIONS			
P	LTR	DESCRIPTION	DATE	DN	APVD		
W		REV PER ECO-15-016062	09NOV15	KG	CD		



1. THIS RCPT. IS DESIGN TO CONFORM TO THE LATEST ISSUE OF MIL-C-24308.
 2. MAX WIRE INSUL TO BE USED WITH THIS RCPT IS .054 DIA.
 3. METAL RETENTION CLIPS AREA INCLUDED IN INSERTS.
 4. THIS RCPT WILL ACCEPT SIZE 22 SOCKET CONTACT M 39029/57-354 OR ANY HDD-22 CONTACT.
5. TE PART NO. STAMPED ON CONNECTOR REPRESENTS KIT NUMBER WITH CONTACTS.
6. UL/CSA DESIGNATION STAMPED ON SHELL.
7. FINISH: PLATED BRIGHT TIN .000400 MIN THK PER ASTM-B-545 OVER COPPER PLATE .000050 MIN THK PER MIL-C-14550.

204500-4	-	-	7	STEEL, CLASS G	POLYPHENEYLENE SULFIDE (PPS) GST-40F PER MIL-M-24519 OR GLASS FILLED POLYESTER TPES013G30 PER ASTM D5927	204500-4
-	-	-	CADMIUM PER QQ-P-416	STEEL, CLASS G	PHENOLIC COLOR: BLACK	204500-3
SUPSD BY 204500-1	-	-	CADMIUM PER QQ-P-416	BRASS	DIALYL PHTHALATE COLOR: BLUE	204500-2
204512-2	5	M24308/2-286F	M24308/2-11F	CADMIUM PER QQ-P-416	POLYPHENEYLENE SULFIDE (PPS) GST-40F PER MIL-M-24519 OR GLASS FILLED POLYESTER TPES013G30 PER ASTM D5927	204500-1
TE P/N MARKED ON CONNECTOR	MILITARY P/N ON PACKAGE	MILITARY P/N ON CONNECTOR	SHELL FINISH	SHELL MATERIAL	INSERT MATERIAL	PART NUMBER

THIS DRAWING IS A CONTROLLED DOCUMENT.

MANJUNATH G. M. 05JUN2015
CHARLES THOMAS 05JUN2015
CHARLES THOMAS 05JUN2015

STE Connectivity

RCPT ASSY,AMPLIMITE, SIZE 1,15 POSN,SERIES 90

SCALE 4:1 SHEET 1 OF 1 REV W

X-ON Electronics

Largest Supplier of Electrical and Electronic Components

Click to view similar products for [D-Sub High Density Connectors](#) category:

Click to view products by [TE Connectivity](#) manufacturer:

Other Similar products are found below :

[1484349-1](#) [163A16769X](#) [163A16809X](#) [163A17089X](#) [164A17199X](#) [164A17209X](#) [164A17479X](#) [164A18209X](#) [17BH-044S-AA110](#) [K86X-AD-26S](#) [KF66X-A26P-NJ](#) [KF66X-E15P-N](#) [241A17320X](#) [242A18390X](#) [242A25740X](#) [L717HDB44POL2R210](#) [L717HDCH62POL2RM5](#) [L717HDEH15POL2](#) [L777HDE15P](#) [L77HDC62S](#) [L77HDE15SC309](#) [163A16779X](#) [163A16839X](#) [163A17049X](#) [163A17079X](#) [164A17309X](#) [164A17329X](#) [164A18219X](#) [241A16440X](#) [241A16550X](#) [241A16680X](#) [241A17390X](#) [241A20810X](#) [241A25740X](#) [CT25-44P](#) [K66X-E15S-N30](#) [K86X-BA-44S](#) [K86X-ED-15S-BR15](#) [K86X-ED-15SK](#) [L177HDE15SOL2RM23](#) [L177HRC62S](#) [L177HRC62SVFM](#) [L177HRCG62S](#) [L717HDBH44POL2RM5](#) [L717HDEG15POL2RM5](#) [L77HDA26SVF](#) [L77HDE15SD1CO](#) [L77HDEH15SOL2RM832](#) [DAMA-15S-WS](#)
[443895-3](#)