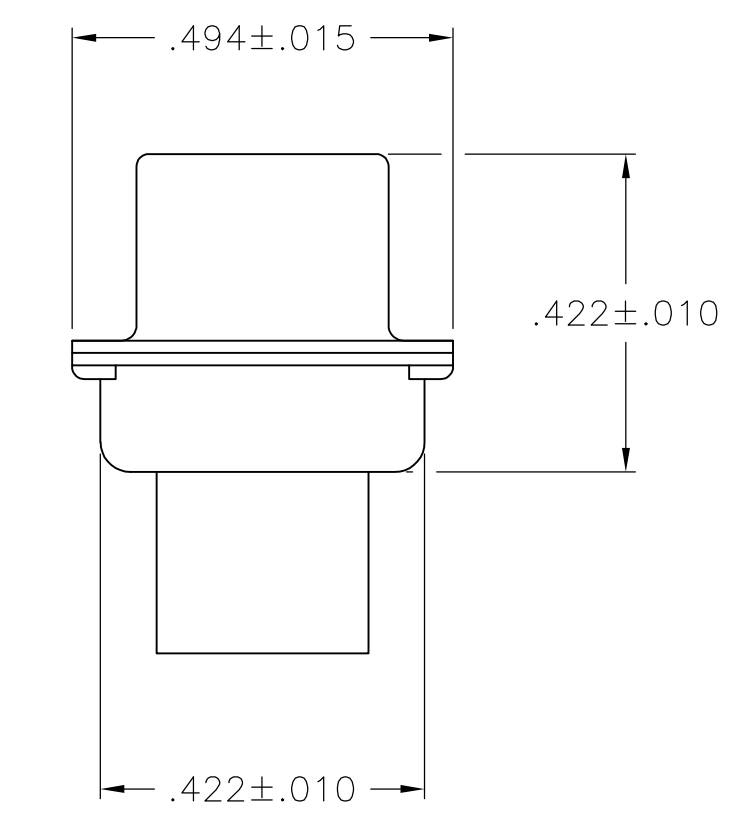
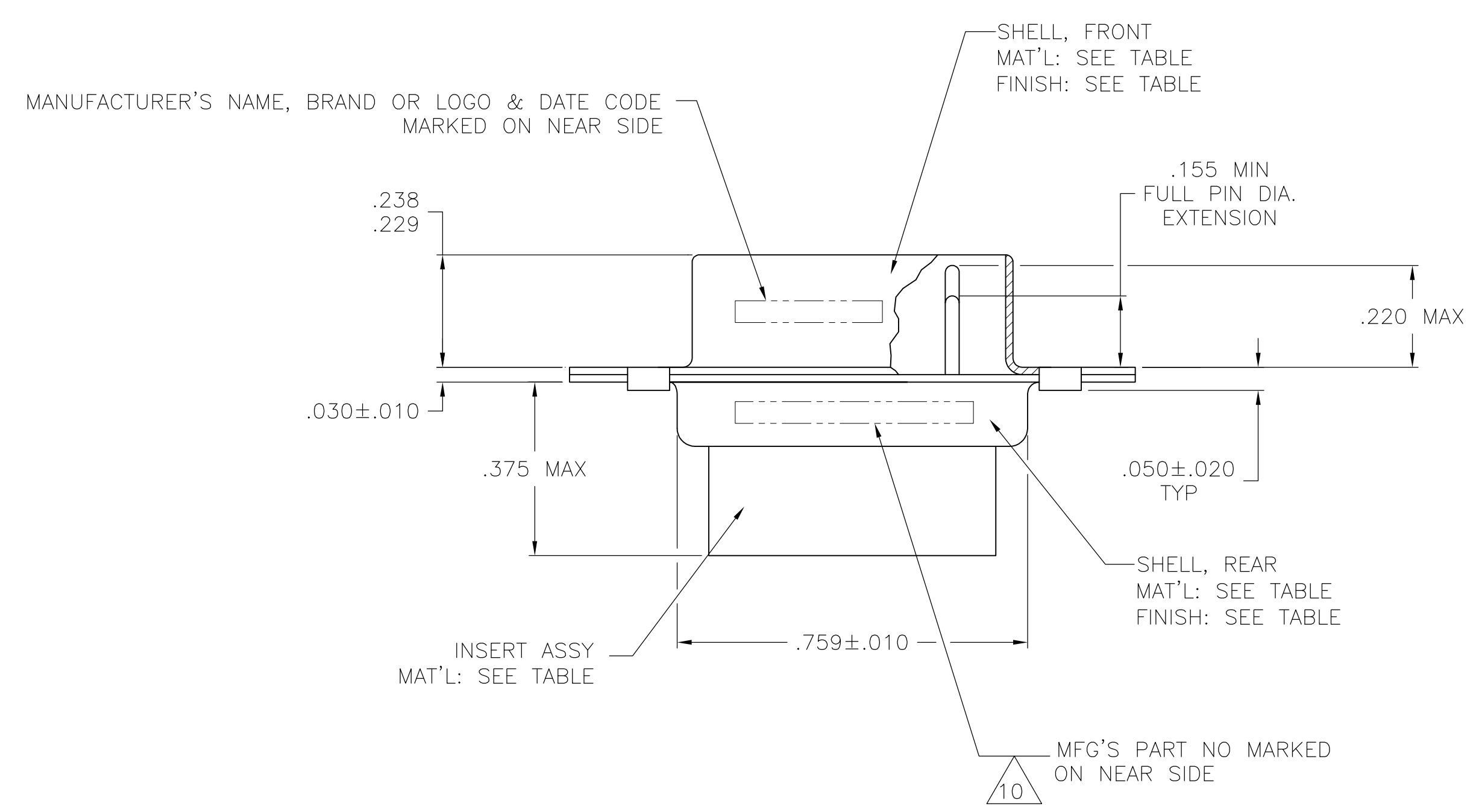
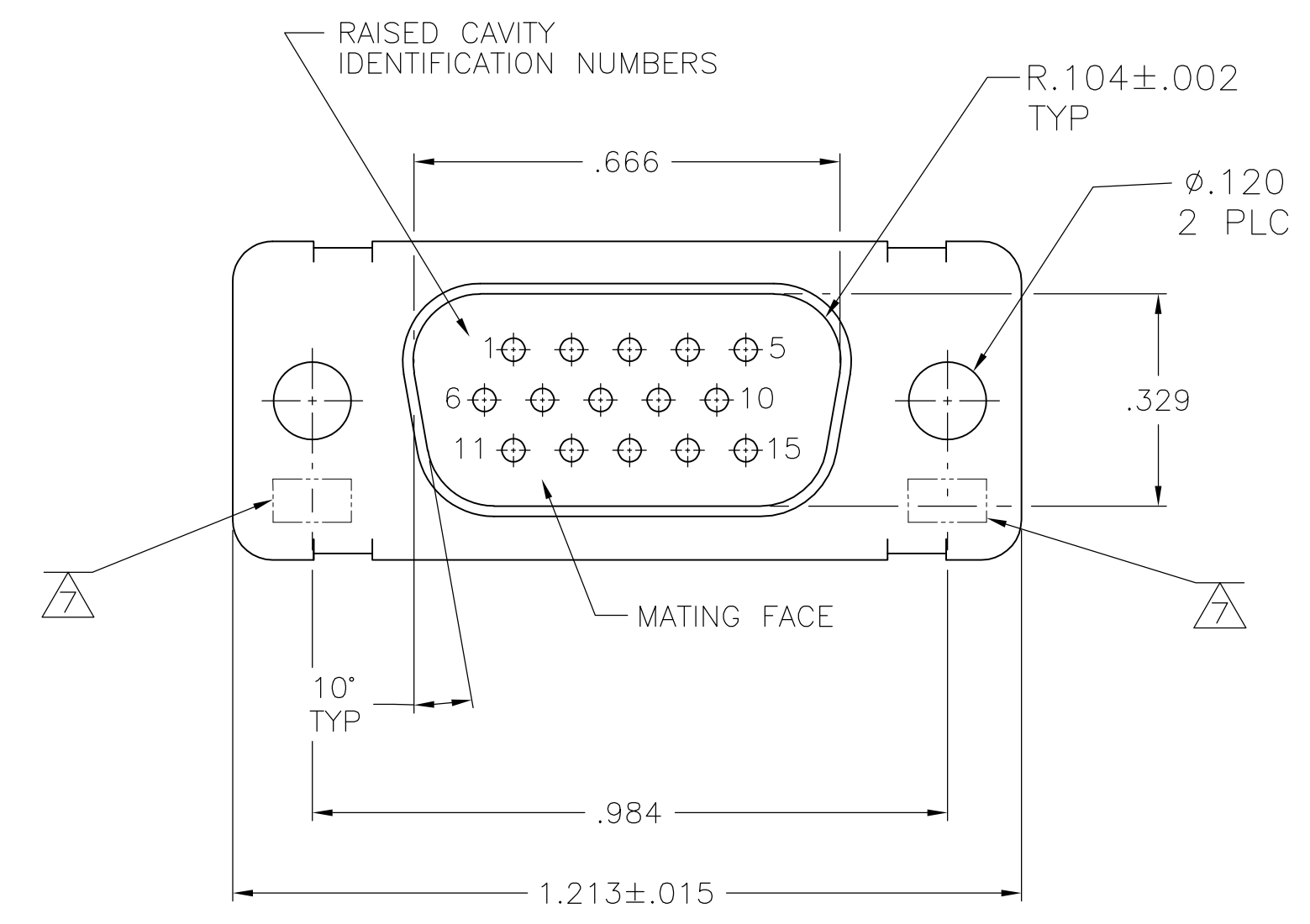


LOC		DIST		REVISIONS			
P	LTR	DESCRIPTION	DATE	DN	APVD		
AA2	REVISED PER	ECO-15-016062	09NOV15	KG	CD		

- THIS PLUG IS DESIGNED TO CONFORM TO THE LATEST ISSUE OF MIL-C-24308.
- MAX WIRE INSULATION TO BE USED WITH THIS PLUG IS .054 DIA.
- METAL RETENTION CLIPS ARE INCLUDED IN INSERTS.
- PACKAGE STAMPED M 24308/4-264F.
- THIS PLUG WILL ACCEPT SIZE 22 PIN CONTACT M 39029/58-360 OR ANY TE CONNECTIVITY HDD-22 PIN CONTACT.
- TE CONNECTIVITY PART NO. MARKED ON CONNECTOR REPRESENTS KIT NUMBER WITH CONTACTS.
- UL / CSA DESIGNATION STAMPED ON SHELL.
- PART NO. 204501-4, -5 & 5--4 HAS GROUNDING INDENTS ON FRONT SHELL. (NOT SHOWN)
- FINISH: BRIGHT TIN .000400-.000550 THK PER ASTM-B-545 OVER COPPER .000050 MIN THK PER AMS2418.
- M24308/4-11F MARKED ON FAR SIDE. 204513-2 MARKED ON NEAR SIDE.
- CONTACTS ARE NOT INCLUDED IN THIS ASSEMBLY. MUST BE ORDERED SEPARATELY.
- SAME AS 204501-5 EXCEPT WITHOUT GROUNDING INDENTS.



8 11	BRIGHT TIN	STEEL, CLASS G	POLYPHENYLENE SULFIDE (PPS) PER GST-40F COLOR: BLACK	5-204501-4
12	9	STEEL, CLASS G	POLYPHENYLENE SULFIDE (PPS) GST-40F PER MIL-M-24519 OR GLASS FILLED POLYESTER TPES013G30 PER ASTM D5927	204501-6
8 11	9	STEEL, CLASS G	POLYPHENYLENE SULFIDE (PPS) GST-40F PER MIL-M-24519 OR GLASS FILLED POLYESTER TPES013G30 PER ASTM D5927	204501-5
8 11	BRIGHT TIN	STEEL, CLASS G	POLYPHENYLENE SULFIDE (PPS) GST-40F PER MIL-M-24519 OR GLASS FILLED POLYESTER TPES013G30 PER ASTM D5927	204501-4
SUPSD BY 204501-1 11	CADMIUM	STEEL, CLASS G	PHENOLIC COLOR: BLACK	204501-3
SUPSD BY 206498-4 6	CADMIUM	STEEL, CLASS G	GLASS FIBER REINF, FLAME RETARDANT POLYESTER COLOR: BLUE	204501-2
4 6 10 11	CADMIUM	STEEL, CLASS G	POLYPHENYLENE SULFIDE (PPS) GST-40F PER MIL-M-24519 OR GLASS FILLED POLYESTER TPES013G30 PER ASTM D5927	204501-1
REMARKS	SHELL FINISH	SHELL MAT'L	INSERT MAT'L	PART NUMBER

THIS DRAWING IS A CONTROLLED DOCUMENT.

DIMENSIONS: INCHES	TOLERANCES UNLESS OTHERWISE SPECIFIED:	DIN C.C.THOMAS 23APR01	APVD J.MARKEY 23APR01	NAME
0 PLC ± -	1 PLC ± -	2 PLC ± -	3 PLC ± .005	4 PLC ± -
ANGLES ± 0', 30'				
MATERIAL SEE CALLOUTS	FINISH SEE CALLOUTS	WEIGHT	SIZE A1 00779	DRAWING NO. 204501
CUSTOMER DRAWING		SCALE 4:1	SHEET 1 OF 1	REV AA2

STE TE Connectivity

PLUG ASSY,AMPLIMITE,15 POSN SIZE 1,SERIES 90

X-ON Electronics

Largest Supplier of Electrical and Electronic Components

Click to view similar products for [D-Sub MIL Spec Connectors](#) category:

Click to view products by [TE Connectivity](#) manufacturer:

Other Similar products are found below :

[M85049/50-5F](#) [D38999/24WG11PB-LC](#) [MDM-9SH006A](#) [1218697-4](#) [D38999/26WJ61PC L/C](#) [1484349-1](#) [17D25HV](#) [1996840-1](#) [243082-15](#)
[1757682-1](#) [17D-E51218-1](#) [17SDA15S](#) [1883533-1](#) [1883886-1](#) [1883889-1](#) [192900-0377](#) [M24308/8-347](#) [M83513/03-E09C](#) [443961-3](#) [5-](#)
[1218949-1](#) [550-031NF1R6K](#) [3-1236089-2](#) [550E001NF1R3J0L](#) [550T001NF1R6K0L](#) [557T283NF5B08](#) [DB121073-56](#) [DC121073157](#)
[443869-3](#) [443869-4](#) [443869-5](#) [550S004NF1R1B0F03](#) [557E283NF1A06](#) [527-019NF0303R2K1F](#) [5-446405-1](#) [550-031NF1R2E](#)
[550E003M2R9J0F04](#) [550E003M3R9J0F05](#) [550E024M104R9J0](#) [550E024NF102R3J0B](#) [550E039NF1R3J1-02](#) [550S003M3R9B0F05](#)
[550S004M4R7M0F04](#) [550S004NF1R1B1F02](#) [550S008M3F0K0F04](#) [550S086M5R3J0L](#) [550S100NF3F0E](#) [550T001M2R7E0L](#)
[550T001NF1F0B1L](#) [550T001NF1R1K0G](#) [550T001NF1R3K0G](#)