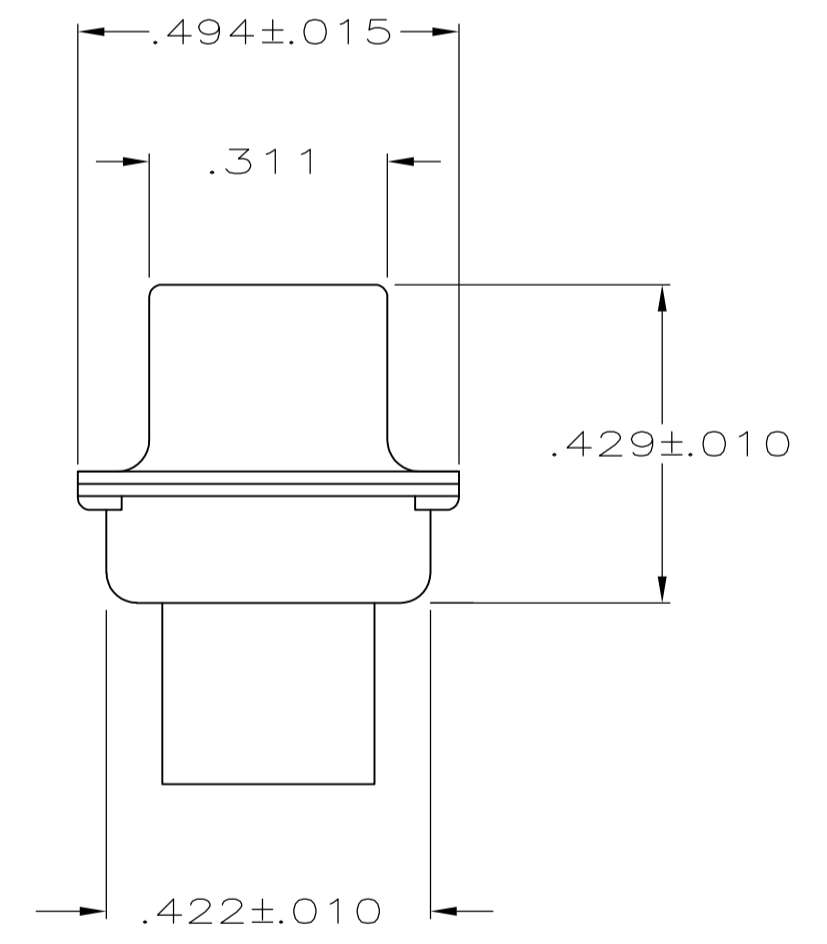
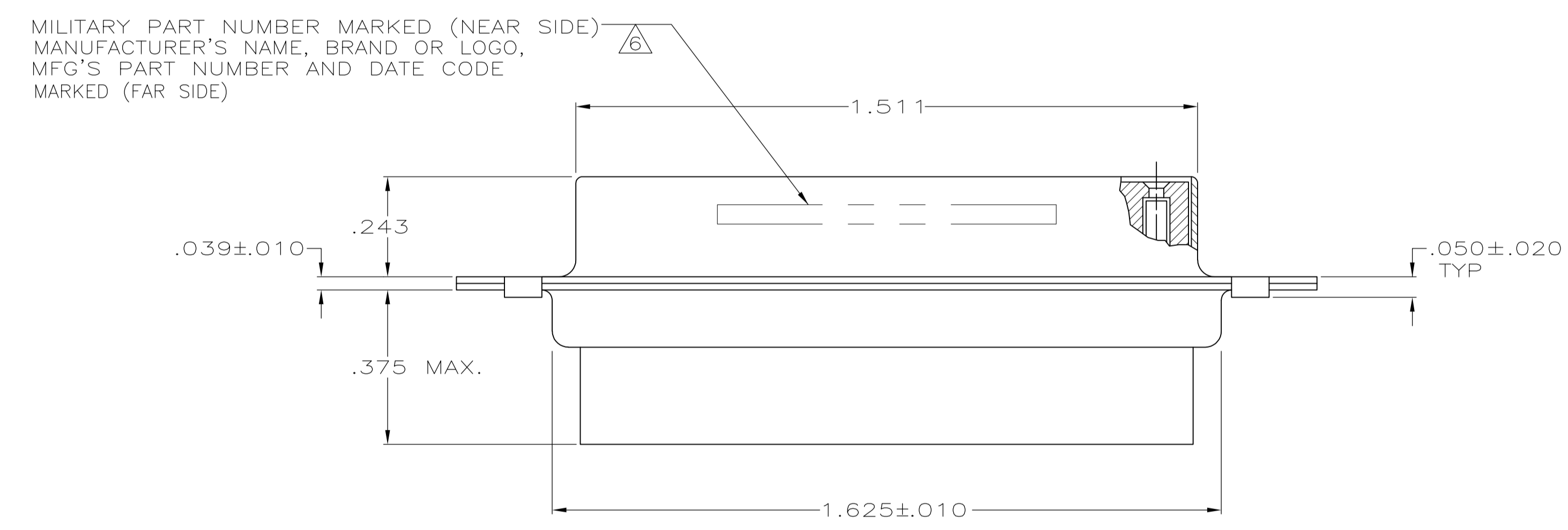
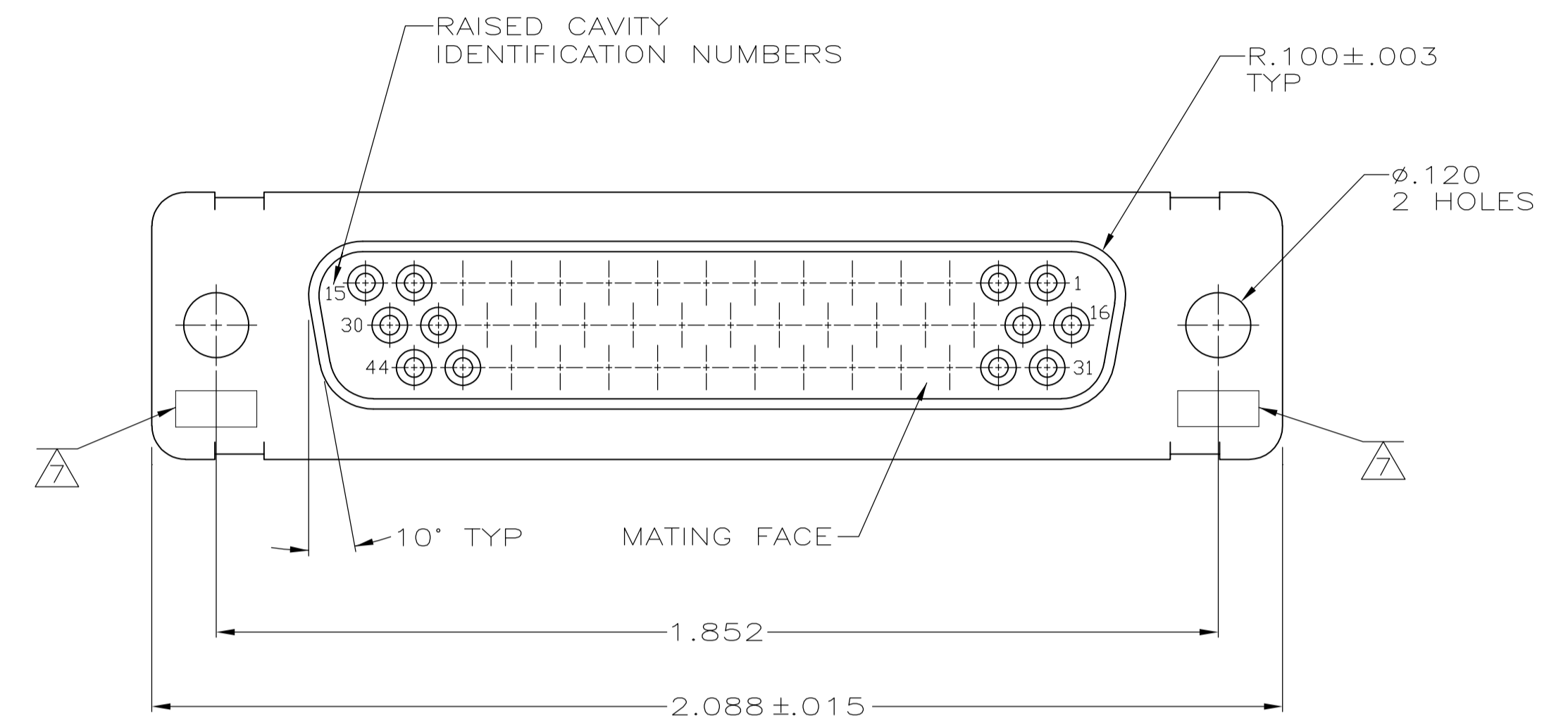


LOC		DIST		REVISIONS			
P	LTR	DESCRIPTION	DATE	DMN	APVD		
AA	REVISED	PER ECO-15-016062	09NOV15	KG	CD		



- THIS RCPT IS DESIGNED TO CONFORM TO THE LATEST ISSUE OF MIL-C-24308. EXCEPT AS NOTED HEREIN.
- MAX WIRE INSUL TO BE USED WITH THIS RCPT IS ϕ .054.
- METAL RETENTION CLIPS ARE INCLUDED IN INSERTS.
- PACKAGE STAMPED M24308/2-288F.
- THIS RCPT WILL ACCEPT SIZE 22 SOCKET CONTACT M 39029/57-354 OR ANY TE HDD-22 SOCKET CONTACT.
- MFG'S PART NO. STAMPED ON CONNECTOR REPRESENTS KIT NUMBER WITH CONTACTS.
- UL & CSA DESIGNATION STAMPED ON SHELL, OPTIONAL.
- POLYPHENYLENE SULFIDE (PPS) GST-40F PER MIL-M-24519 OR GLASS FILLED POLYESTER TPES013G30 PER ASTM D5927
- PHENOLIC
 COLOR: BLACK
 OR POLYPHENYLENE SULFIDE(PPS)
 PER MIL-M24519, TYPE GST-40F
 COLOR: BLACK
- STEEL PER ASTM-A-109 OR EQUIVALENT.
- BRASS PER ASTM-B-36.
- FINISH: CADMIUM PER QQ-P-416, TYPE II, CLASS 2 OVER COPPER PER AMS2418, CLASS 4.
- FINISH: ZINC .000200-.000400 THK., YELLOW CHROMATE.
- FINISH: TIN PER ASTM-B-545, .000200 MIN THK THK OVER COPPER PER AMS2418, .000050 MIN THK.
- PACKAGE STAMPED M24308/6-288F.
- FINISH: BRIGHT TIN PER ASTM-B-545, .000400-.000550 THK OVER COPPER PER AMS2418, .000050 MIN THK.

-	8	10	16	204504-5	-	204504-5
-	8	10	14	-	-	204504-4
SUPSD. BY 206504-1	9	10	12	-	-	204504-3
SUPSD. BY 206064-4	7	8	11	204504-4	M24308/6-13F	204504-2
	4	8	10	204516-2	M24308/2-13F	204504-1
REMARKS	INSERT MATERIAL	SHELL MATERIAL	SHELL FINISH	INK STAMP MFG'S PART NO.	MARKED MILITARY PART NUMBER	PART NUMBER

THIS DRAWING IS A CONTROLLED DOCUMENT.

DIMENSIONS: INCHES	TOLERANCES UNLESS OTHERWISE SPECIFIED:	0 PLC ± -	1 PLC ± -	2 PLC ± -	3 PLC ± .005	4 PLC ± -	ANGLES ± 0',30'
MATERIAL SEE TABLE	FINISH SEE CALLOUTS	WEIGHT	SIZE	CAGE CODE	DRAWING NO	RESTRICTED TO	

C.C.THOMAS 01DEC87
 CJK 25JAN88
 F.BALLEW 25JAN88
 F.BALLEW 25JAN88
 NAME: AMPLIMITE RCPT FOR SOCKET CONTACTS HI-DENSITY CONNECTOR SIZE 3, 44 POSITION, SERIES 90
 APPLICATION SPEC: -
 SIZE: A1
 CAGE CODE: 00779
 DRAWING NO: 204504
 WEIGHT: -
 CUSTOMER DRAWING
 SCALE: 4:1
 SHEET: 1 OF 1
 REV: AA

X-ON Electronics

Largest Supplier of Electrical and Electronic Components

Click to view similar products for [D-Sub MIL Spec Connectors](#) category:

Click to view products by [TE Connectivity](#) manufacturer:

Other Similar products are found below :

[M85049/50-5F](#) [D38999/24WG11PB-LC](#) [MDM-9SH006A](#) [850-056-0812](#) [1218697-4](#) [D38999/26WJ61PC L/C](#) [1484349-1](#) [17D25HV](#)
[1996840-1](#) [243082-15](#) [1757682-1](#) [17D-E51218-1](#) [17SDA15S](#) [1883533-1](#) [1883886-1](#) [1883889-1](#) [192900-0377](#) [M24308/8-347](#) [M83513/03-](#)
[E09C](#) [443961-3](#) [5-1218949-1](#) [550-031NF1R6K](#) [3-1236089-2](#) [550E001NF1R3J0L](#) [550T001NF1R6K0L](#) [557T283NF5B08](#) [DC121073157](#)
[443869-3](#) [443869-4](#) [443869-5](#) [550S004NF1R1B0F03](#) [557E283NF1A06](#) [527-019NF0303R2K1F](#) [5-446405-1](#) [550-031NF1R2E](#)
[550E003M2R9J0F04](#) [550E003M3R9J0F05](#) [550E024M104R9J0](#) [550E024NF102R3J0B](#) [550E039NF1R3J1-02](#) [550S003M3R9B0F05](#)
[550S004M4R7M0F04](#) [550S004NF1R1B1F02](#) [550S008M3F0K0F04](#) [550S086M5R3J0L](#) [550S100NF3F0E](#) [550T001M2R7E0L](#)
[550T001NF1F0B1L](#) [550T001NF1R1K0G](#) [550T001NF1R3K0G](#)