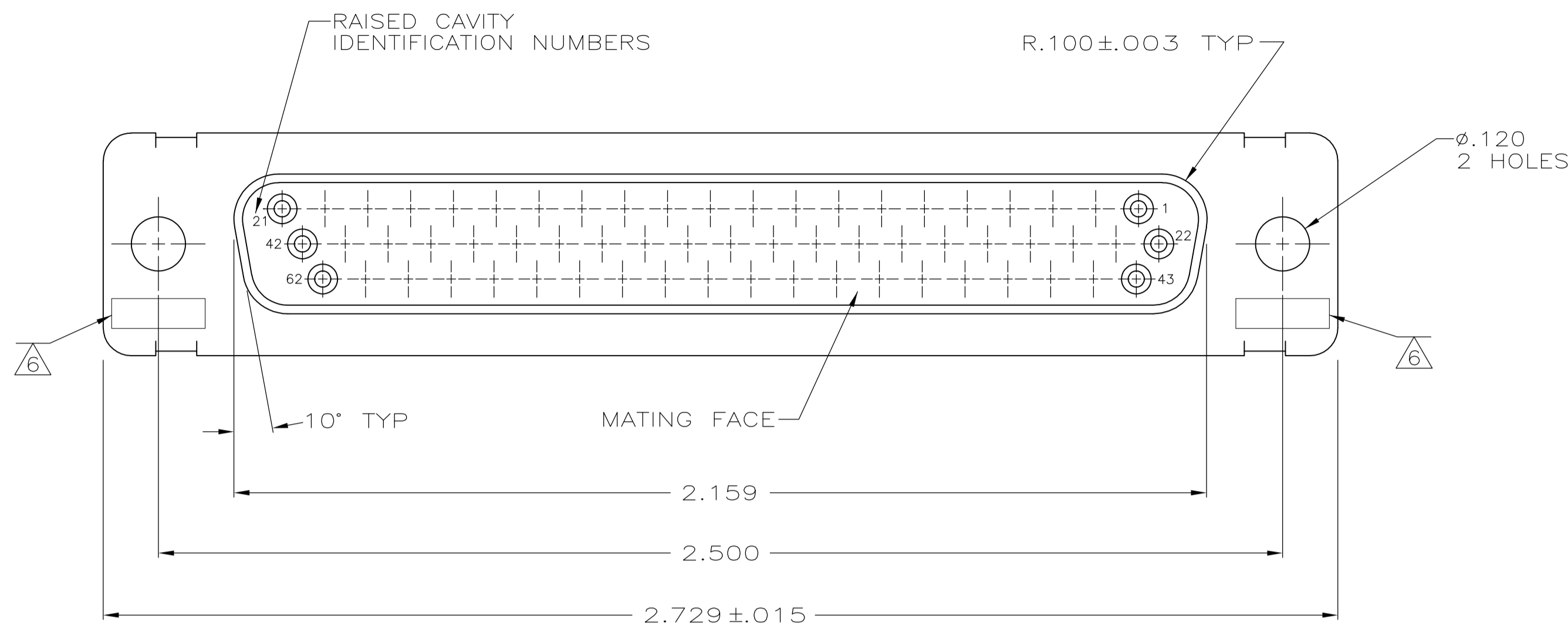
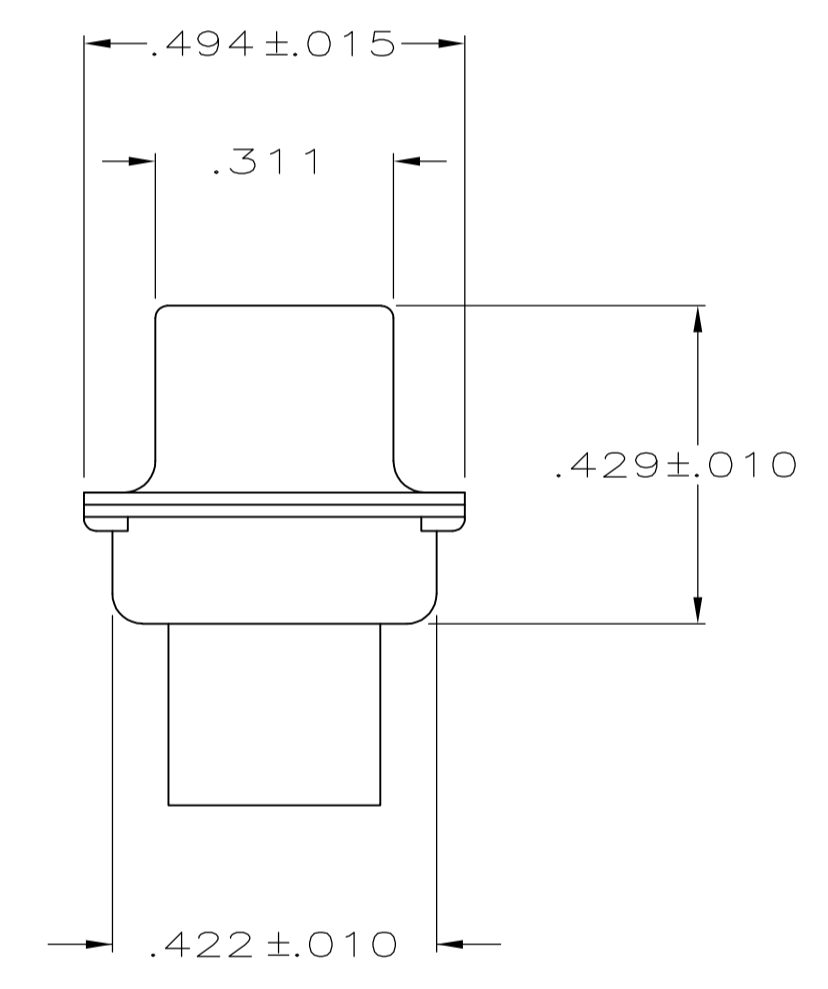
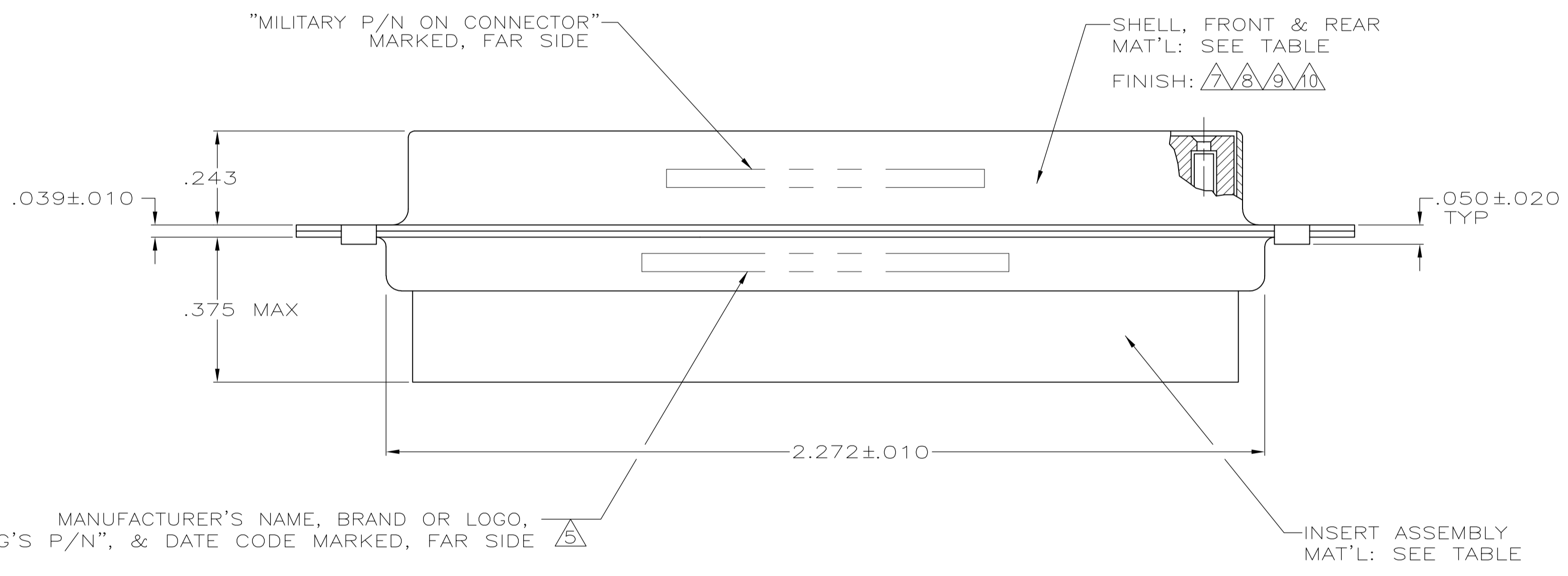


LOC		DIST		REVISIONS			
P	LTR	DESCRIPTION	DATE	DN	APVD		
U		REV PER ECO-15-016062	09NOV15	KG	CD		



- THIS RCPT. IS DESIGNED TO CONFORM TO THE LATEST ISSUE OF MIL-C-24308.
 - MAX WIRE INSUL TO BE USED WITH THIS RCPT IS .054 DIA.
 - METAL RETENTION CLIPS ARE INCLUDED IN INSERTS.
 - THIS RCPT. WILL ACCEPT SIZE 22 SOCKET CONTACT M39029/57-354 OR ANY TYCO HDD-22 SOCKET CONTACT. CONTACTS ORDERED SEPARATELY.
- ⑤ MFG'S PART NO. MARKED ON CONNECTOR REPRESENTS KIT NUMBER WITH CONTACTS.
 - ⑥ UL/CSA DESIGNATION STAMPED IN THIS AREA, OPTIONAL.
 - ⑦ CADMIUM PER QQ-P-416.
 - ⑧ BRIGHT TIN PER MIL-T-10727.
 - ⑨ BRIGHT TIN PER ASTM-B-545 .000400-.000550 THK OVER COPPER PER AMS2418 .000050 MIN THK.
 - ⑩ ZINC PER ASTM-B-633 .000200 MIN THK, YELLOW CHROMATE.



MANUFACTURER'S NAME, BRAND OR LOGO, "MARKED MFG'S P/N", & DATE CODE MARKED, FAR SIDE ⑤

204506-6	-	-	-	⑨	STEEL, CLASS G	POLYPHENYLENE SULFIDE(PPS) PER MIL-M-24519, TYPE GST-40F COLOR: BLACK	204506-6
204506-5	-	-	-	⑩	STEEL, CLASS G	POLYPHENYLENE SULFIDE(PPS) PER MIL-M-24519, TYPE GST-40F COLOR: BLACK	204506-5
204506-4	-	-	-	⑧	STEEL, CLASS G	POLYPHENYLENE SULFIDE(PPS) PER MIL-M-24519, TYPE GST-40F COLOR: BLACK	204506-4
SUPSD BY 204506-1	-	-	-	⑦	STEEL, CLASS G	PHENOLIC COLOR: BLACK	204506-3
SUPSD BY 206503-4	-	-	-	⑦	BRASS	DIALLYL PATHALATE COLOR: BLUE	204506-2
204518-2	M24308/2-289F	M24308/2-14F	⑤	⑦	STEEL, CLASS G	POLYPHENYLENE SULFIDE(PPS) PER MIL-M-24519, TYPE GST-40F COLOR: BLACK	204506-1
MFG'S P/N MARKED ON CONNECTOR	MILITARY P/N ON PACKAGE	MILITARY P/N ON CONNECTOR	REMARKS	SHELL FINISH	SHELL MAT'L	INSERT MAT'L	PART NO.

THIS DRAWING IS A CONTROLLED DOCUMENT. DIMENSIONS: INCHES. TOLERANCES UNLESS OTHERWISE SPECIFIED: 0 PLC ± .005, 1 PLC ± .005, 2 PLC ± .005, 3 PLC ± .005, 4 PLC ± .005, ANGLES ± 0'30". MATERIAL: SEE TABLE. FINISH: SEE CALLOUTS.

APPROVED: C.C. THOMAS (01-DEC-87), F.C. BALLEW (25-JAN-88). NAME: AMPLIMITE RCPT FOR SOCKET CONTACTS HI-DENSITY D CONNECTOR SIZE 4 (62 POSN) SERIES 90. SIZE: A1. WEIGHT: -. SCALE: 4:1. SHEET: 1 OF 1. REV: U.

STE TE Connectivity

X-ON Electronics

Largest Supplier of Electrical and Electronic Components

Click to view similar products for [D-Sub MIL Spec Connectors](#) category:

Click to view products by [TE Connectivity](#) manufacturer:

Other Similar products are found below :

[M85049/50-5F](#) [D38999/24WG11PB-LC](#) [MDM-9SH006A](#) [1218697-4](#) [D38999/26WJ61PC L/C](#) [1484349-1](#) [17D25HV](#) [1996840-1](#) [243082-15](#)
[1757682-1](#) [17D-E51218-1](#) [17SDA15S](#) [1883533-1](#) [1883886-1](#) [1883889-1](#) [192900-0377](#) [M24308/8-347](#) [M83513/03-E09C](#) [443961-3](#) [5-](#)
[1218949-1](#) [550-031NF1R6K](#) [3-1236089-2](#) [550E001NF1R3J0L](#) [550T001NF1R6K0L](#) [557T283NF5B08](#) [DB121073-56](#) [DC121073157](#)
[443869-3](#) [443869-4](#) [443869-5](#) [550S004NF1R1B0F03](#) [557E283NF1A06](#) [527-019NF0303R2K1F](#) [5-446405-1](#) [550-031NF1R2E](#)
[550E003M2R9J0F04](#) [550E003M3R9J0F05](#) [550E024M104R9J0](#) [550E024NF102R3J0B](#) [550E039NF1R3J1-02](#) [550S003M3R9B0F05](#)
[550S004M4R7M0F04](#) [550S004NF1R1B1F02](#) [550S008M3F0K0F04](#) [550S086M5R3J0L](#) [550S100NF3F0E](#) [550T001M2R7E0L](#)
[550T001NF1F0B1L](#) [550T001NF1R1K0G](#) [550T001NF1R3K0G](#)