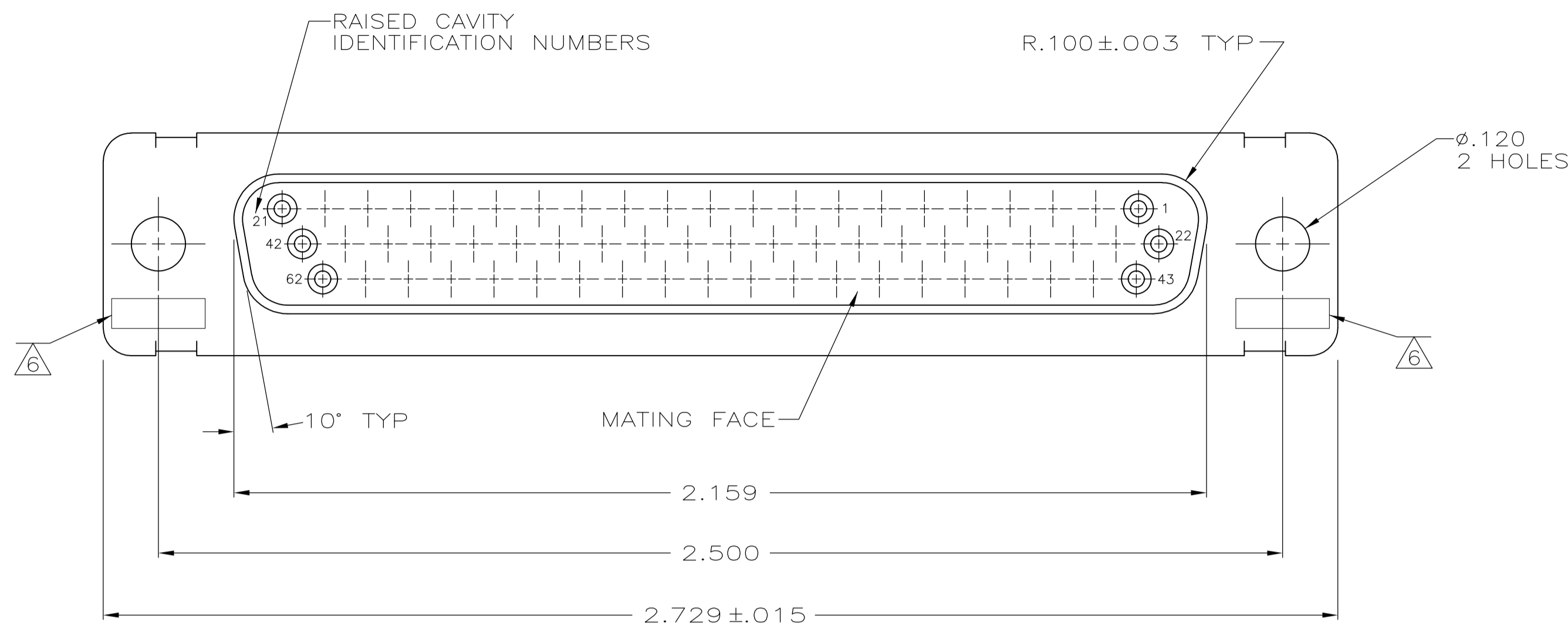
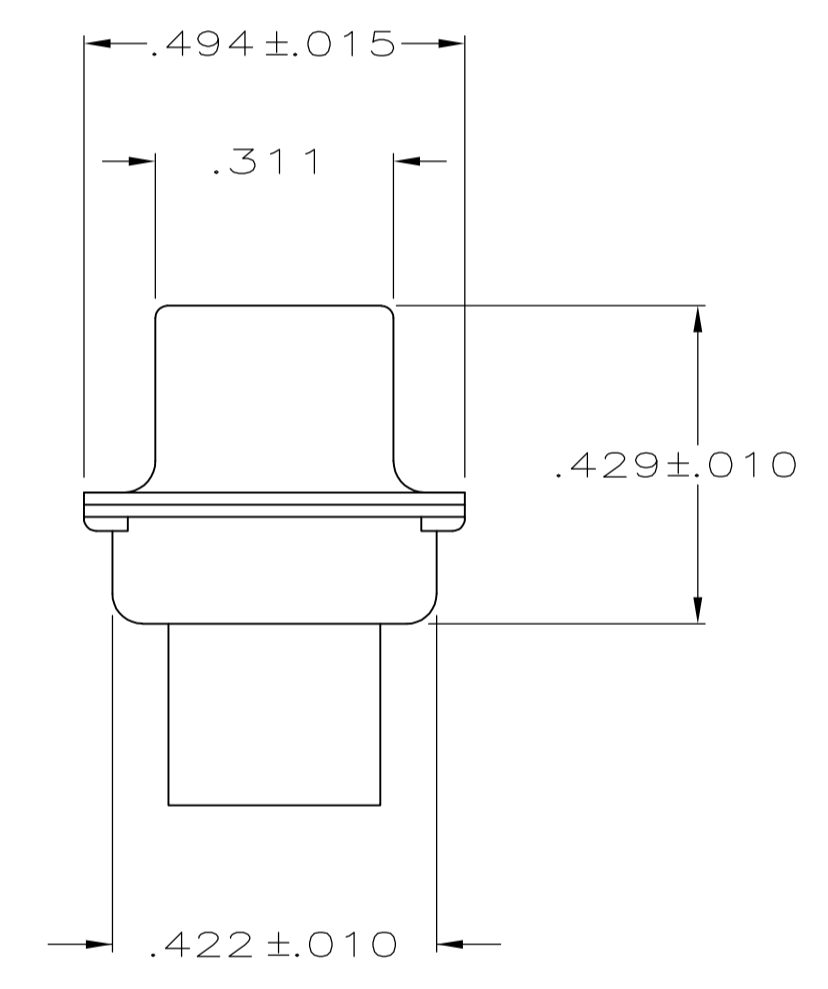
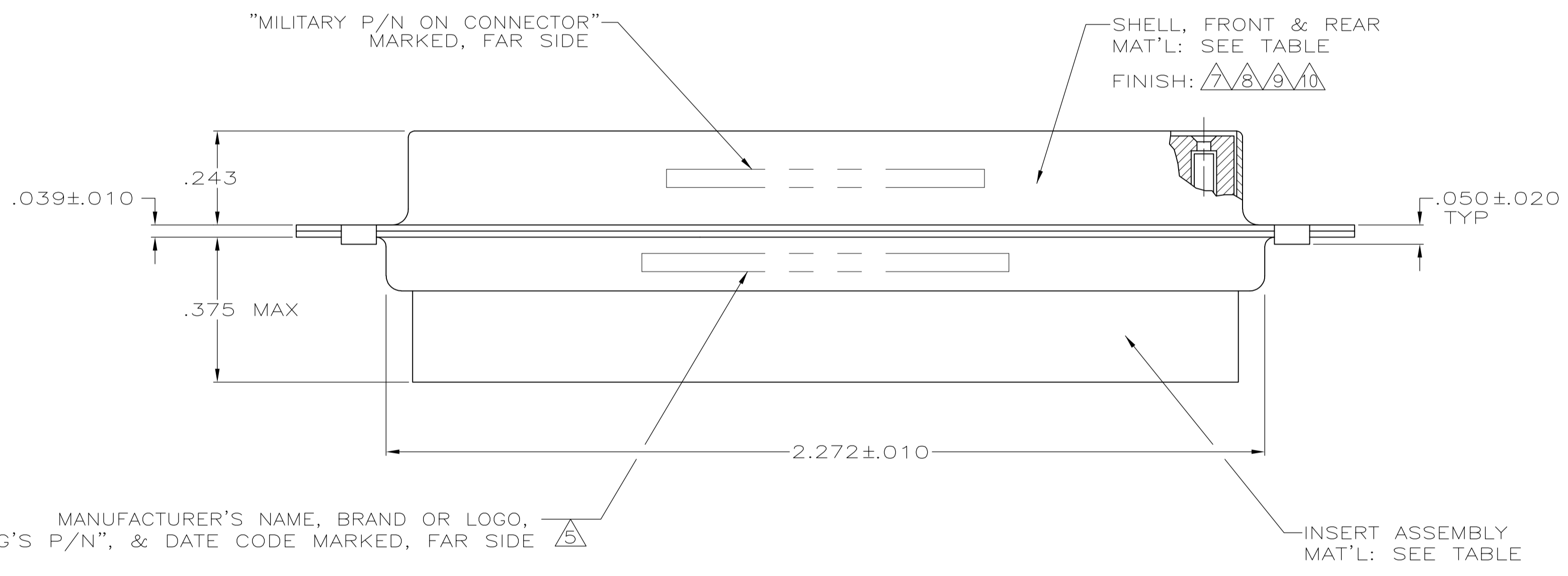


LOC		DIST		REVISIONS			
P	LTR	DESCRIPTION	DATE	DN	APVD		
U		REV PER ECO-15-016062	09NOV15	KG	CD		



- THIS RCPT. IS DESIGNED TO CONFORM TO THE LATEST ISSUE OF MIL-C-24308.
 - MAX WIRE INSUL TO BE USED WITH THIS RCPT IS .054 DIA.
 - METAL RETENTION CLIPS ARE INCLUDED IN INSERTS.
 - THIS RCPT. WILL ACCEPT SIZE 22 SOCKET CONTACT M39029/57-354 OR ANY TYCO HDD-22 SOCKET CONTACT. CONTACTS ORDERED SEPARATELY.
- ⑤ MFG'S PART NO. MARKED ON CONNECTOR REPRESENTS KIT NUMBER WITH CONTACTS.
 - ⑥ UL/CSA DESIGNATION STAMPED IN THIS AREA, OPTIONAL.
 - ⑦ CADMIUM PER QQ-P-416.
 - ⑧ BRIGHT TIN PER MIL-T-10727.
 - ⑨ BRIGHT TIN PER ASTM-B-545 .000400-.000550 THK OVER COPPER PER AMS2418 .000050 MIN THK.
 - ⑩ ZINC PER ASTM-B-633 .000200 MIN THK, YELLOW CHROMATE.



MANUFACTURER'S NAME, BRAND OR LOGO, "MARKED MFG'S P/N", & DATE CODE MARKED, FAR SIDE ⑤

204506-6	-	-	-	⑨	STEEL, CLASS G	POLYPHENYLENE SULFIDE(PPS) PER MIL-M-24519, TYPE GST-40F COLOR: BLACK	204506-6
204506-5	-	-	-	⑩	STEEL, CLASS G	POLYPHENYLENE SULFIDE(PPS) PER MIL-M-24519, TYPE GST-40F COLOR: BLACK	204506-5
204506-4	-	-	-	⑧	STEEL, CLASS G	POLYPHENYLENE SULFIDE(PPS) PER MIL-M-24519, TYPE GST-40F COLOR: BLACK	204506-4
SUPSD BY 204506-1	-	-	-	⑦	STEEL, CLASS G	PHENOLIC COLOR: BLACK	204506-3
SUPSD BY 206503-4	-	-	-	⑦	BRASS	DIALLYL PATHALATE COLOR: BLUE	204506-2
204518-2	M24308/2-289F	M24308/2-14F	⑤	⑦	STEEL, CLASS G	POLYPHENYLENE SULFIDE(PPS) PER MIL-M-24519, TYPE GST-40F COLOR: BLACK	204506-1
MFG'S P/N MARKED ON CONNECTOR	MILITARY P/N ON PACKAGE	MILITARY P/N ON CONNECTOR	REMARKS	SHELL FINISH	SHELL MAT'L	INSERT MAT'L	PART NO.

THIS DRAWING IS A CONTROLLED DOCUMENT. DIMENSIONS: INCHES. TOLERANCES UNLESS OTHERWISE SPECIFIED: 0 PLC ± .005, 1 PLC ± .005, 2 PLC ± .005, 3 PLC ± .005, 4 PLC ± .005, ANGLES ± 0'30". MATERIAL: SEE TABLE. FINISH: SEE CALLOUTS.

APPROVED: F.C. BALLEW. DATE: 25-JAN-88. NAME: F.C. BALLEW. PRODUCT SPEC: AMPLIMITE RCPT FOR SOCKET CONTACTS HI-DENSITY D CONNECTOR SIZE 4 (62 POSN) SERIES 90. APPLICATION SPEC: SIZE: A1.00779. DRAWING NO: 204506. WEIGHT: -. RESTRICTED TO: CUSTOMER DRAWING. SCALE: 4:1. SHEET: 1 OF 1. REV: U.

STE TE Connectivity

X-ON Electronics

Largest Supplier of Electrical and Electronic Components

Click to view similar products for [D-Sub MIL Spec Connectors](#) category:

Click to view products by [TE Connectivity](#) manufacturer:

Other Similar products are found below :

[M24308/4-13Z](#) [M8351307-B](#) [D38999/20FJ43HN](#) [D38999/24WG11PB-LC](#) [D38999/24WG41HN](#) [MDM-15PH041P](#) [MDM-21PH041P](#) [MDM-21SH003B-K139](#) [850-056-0812](#) [1218697-4](#) [DBMM25S](#) [MS27467T21F41S](#) [17D25HV](#) [1996840-1](#) [243082-15](#) [1663962-1](#) [1757682-1](#) [17D-E51218-1](#) [17SDA15S](#) [1883533-1](#) [1883886-1](#) [1883889-1](#) [192900-0377](#) [308-CP6P0441-024H](#) [M24308/2-3Z](#) [M24308/4-3Z](#) [M24308/4-4F](#) [M24308/4-4Z](#) [M24308/8-347](#) [M83513/03-E09C](#) [M83723/75W2212N L/C](#) [D38999/24FJ29PN-LC](#) [D38999/24WG11SB-LC](#) [MDM-21PH046P](#) [5-1218949-1](#) [550-031NF1R6K](#) [550E001NF1R3J0L](#) [550T001NF1R6K0L](#) [557T283NF5B08](#) [C115368-1612B](#) [C115370-1717B](#) [DC121073157](#) [443869-3](#) [443869-4](#) [443869-5](#) [550S004NF1R1B0F03](#) [550-031NF1R2E](#) [550E003M2R9J0F04](#) [550E003M3R9J0F05](#) [550E024M104R9J0](#)