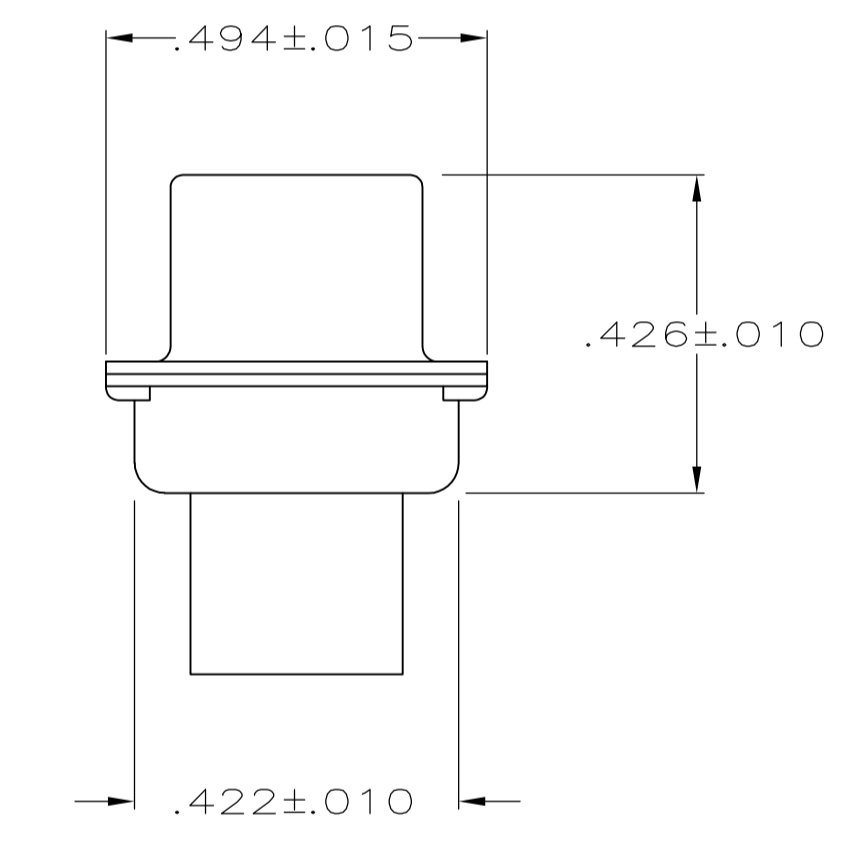
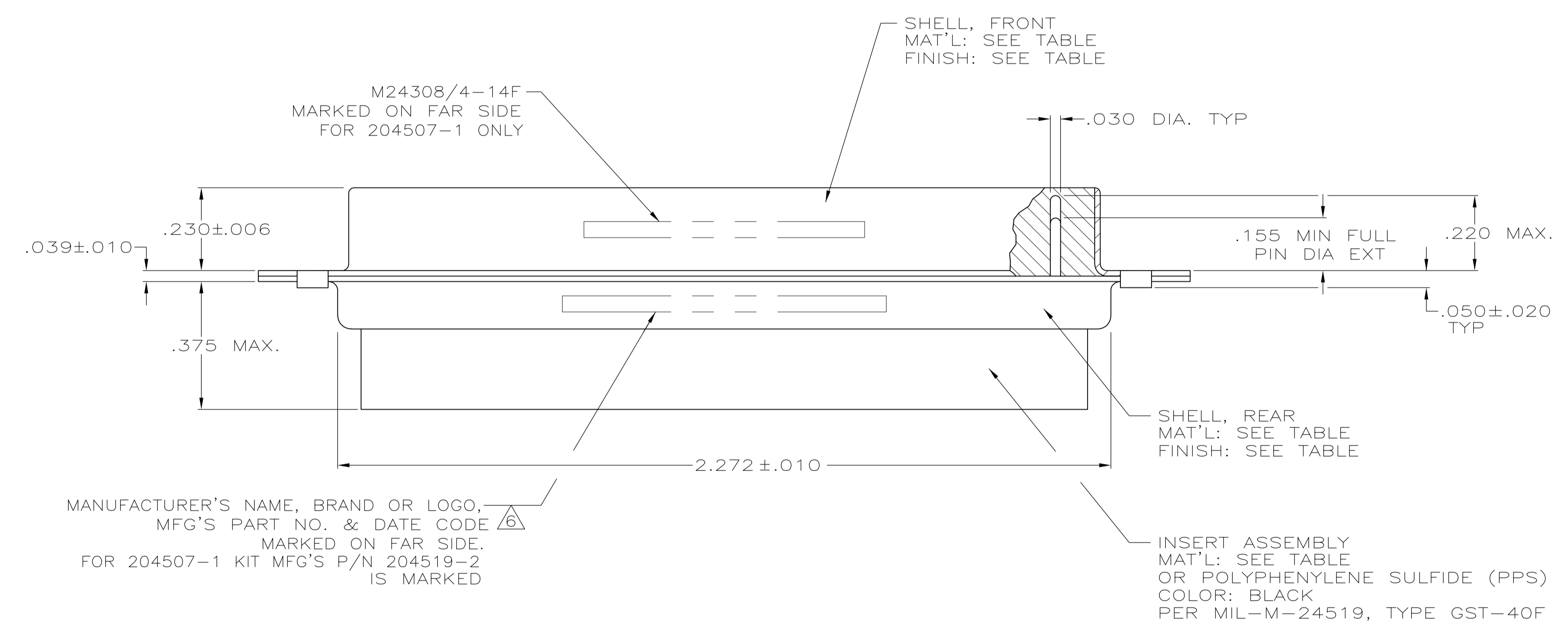
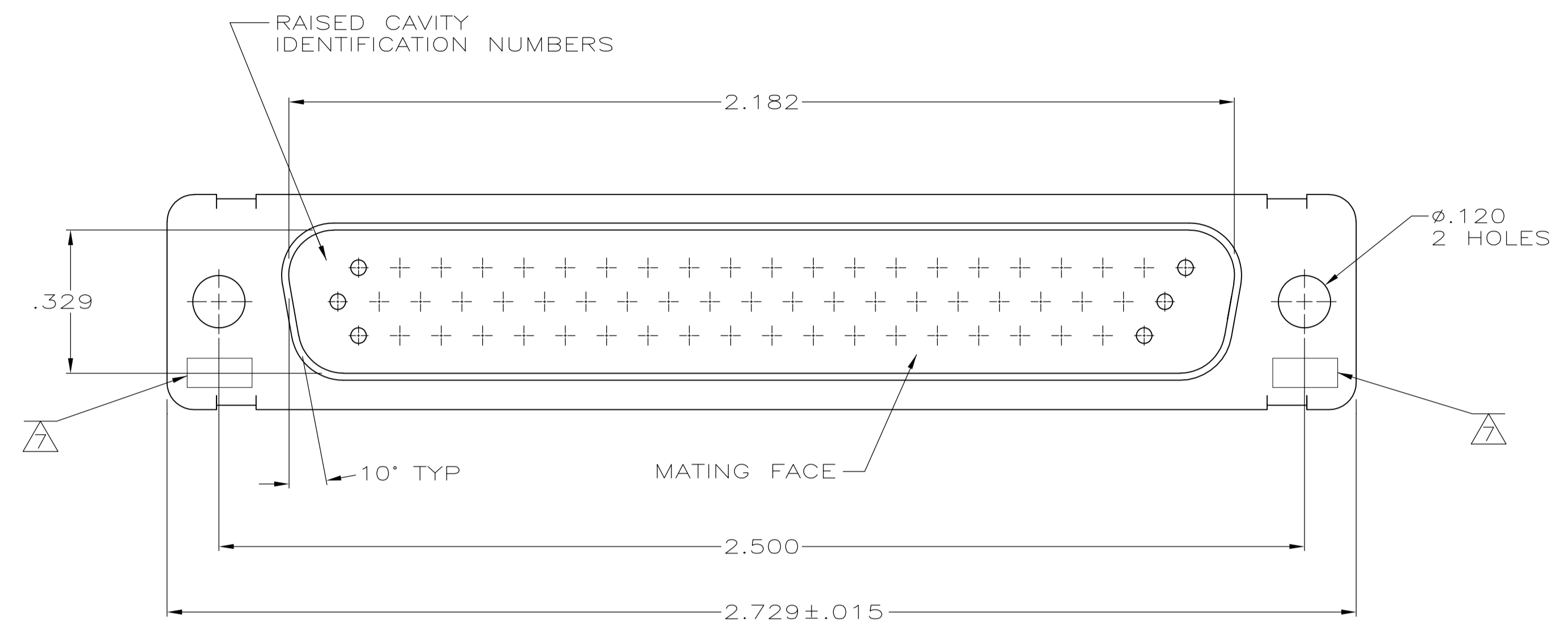


REVISES		DATE	BY	APP'D
W	REVISED PER ECO-15-016062	09NOV15	KG	CD

1. THIS PLUG IS DESIGNED TO CONFORM TO THE LATEST ISSUE OF MIL-C-24308.
  2. MAX WIRE INSUL. TO BE USED WITH THIS PLUG IS .054 DIA.
  3. METAL RETENTION CLIPS ARE INCLUDED IN INSERTS.
  4. PACKAGE STAMPED M 24308/4-267F.
  5. THIS PLUG WILL ACCEPT SIZE 22 PIN CONTACT M 39029/58-360 OR ANY TYCO HDD-22 PIN CONTACT
- Ⓐ MFG'S PART NO. STAMPED ON CONNECTOR KIT NUMBER WITH CONTACTS FOR 204507-1 ONLY.
  - Ⓙ UL/CSA DESIGNATION STAMPED IN THIS AREA, OPTIONAL.
  - Ⓢ P/N'S 204507-4, -5, & 5--4 HAVE GROUNDING INDENTS ON FRONT SHELL, NOT SHOWN ON DRAWING.
  - Ⓙ FINISH: BRIGHT TIN PER ASTM-B-545 .000400-.000550 THK OVER COPPER PER AMS2418, .000050 MIN THK.



FINISH	SHELL MAT'L	INSERT MAT'L	PART NO.	
Ⓙ BRIGHT TIN PER ASTM-B-545	STEEL, CLASS G	GST-40F PER MIL-M-24519	5-204507-4	
Ⓙ	STEEL, CLASS G	GST-40F PER MIL-M-24519	204507-6	
Ⓙ	STEEL, CLASS G	GST-40F PER MIL-M-24519	204507-5	
Ⓙ BRIGHT TIN PER ASTM-B-545	STEEL, CLASS G	GST-40F PER MIL-M-24519	204507-4	
SUPSD BY 204507-1	CADMIUM PER QQ-P-416	STEEL, CLASS G	GST-40F PER MIL-M-24519	204507-3
SUPSD BY 206502-4	CADMIUM PER QQ-P-416	BRASS	GST-40F PER MIL-M-24519	204507-2
	CADMIUM PER QQ-P-416	STEEL, CLASS G	GST-40F PER MIL-M-24519	204507-1
	SHELL FINISH	SHELL MAT'L	INSERT MAT'L	PART NO.

THIS DRAWING IS A CONTROLLED DOCUMENT.

APPROVED: F.C. BALLEW, 25JAN88

DATE: 01DEC87

BY: C.C. THOMAS, 25JAN88

NAME: AMPLIMITE PLUG FOR PIN CONTACTS HI-DENSITY D CONNECTOR SIZE 4 (62 POSN) SERIES 90

SIZE: A1

SCALE: 4:1

SHEET: 1 OF 1

REV: W

CUSTOMER DRAWING

## X-ON Electronics

Largest Supplier of Electrical and Electronic Components

*Click to view similar products for [D-Sub MIL Spec Connectors](#) category:*

*Click to view products by [TE Connectivity](#) manufacturer:*

Other Similar products are found below :

[M85049/50-5F](#) [D38999/24WG11PB-LC](#) [MDM-9SH006A](#) [1218697-4](#) [D38999/26WJ61PC L/C](#) [1484349-1](#) [17D25HV](#) [1996840-1](#) [243082-15](#)  
[1757682-1](#) [17D-E51218-1](#) [17SDA15S](#) [1883533-1](#) [1883886-1](#) [1883889-1](#) [192900-0377](#) [M24308/8-347](#) [M83513/03-E09C](#) [443961-3](#) [5-](#)  
[1218949-1](#) [550-031NF1R6K](#) [3-1236089-2](#) [550E001NF1R3J0L](#) [550T001NF1R6K0L](#) [557T283NF5B08](#) [DB121073-56](#) [DC121073157](#)  
[443869-3](#) [443869-4](#) [443869-5](#) [550S004NF1R1B0F03](#) [557E283NF1A06](#) [527-019NF0303R2K1F](#) [5-446405-1](#) [550-031NF1R2E](#)  
[550E003M2R9J0F04](#) [550E003M3R9J0F05](#) [550E024M104R9J0](#) [550E024NF102R3J0B](#) [550E039NF1R3J1-02](#) [550S003M3R9B0F05](#)  
[550S004M4R7M0F04](#) [550S004NF1R1B1F02](#) [550S008M3F0K0F04](#) [550S086M5R3J0L](#) [550S100NF3F0E](#) [550T001M2R7E0L](#)  
[550T001NF1F0B1L](#) [550T001NF1R1K0G](#) [550T001NF1R3K0G](#)