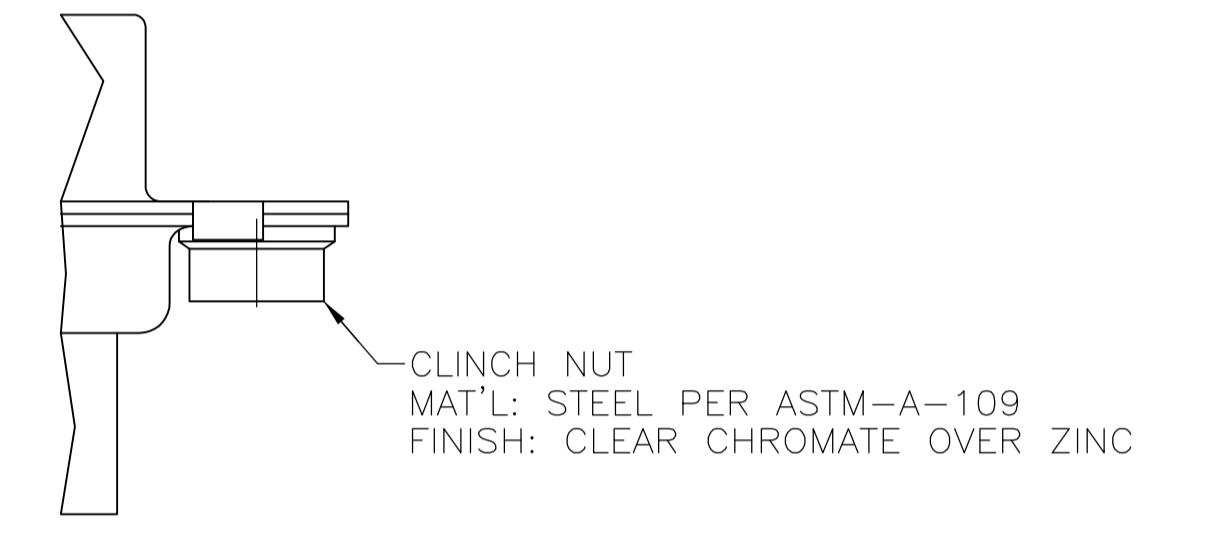
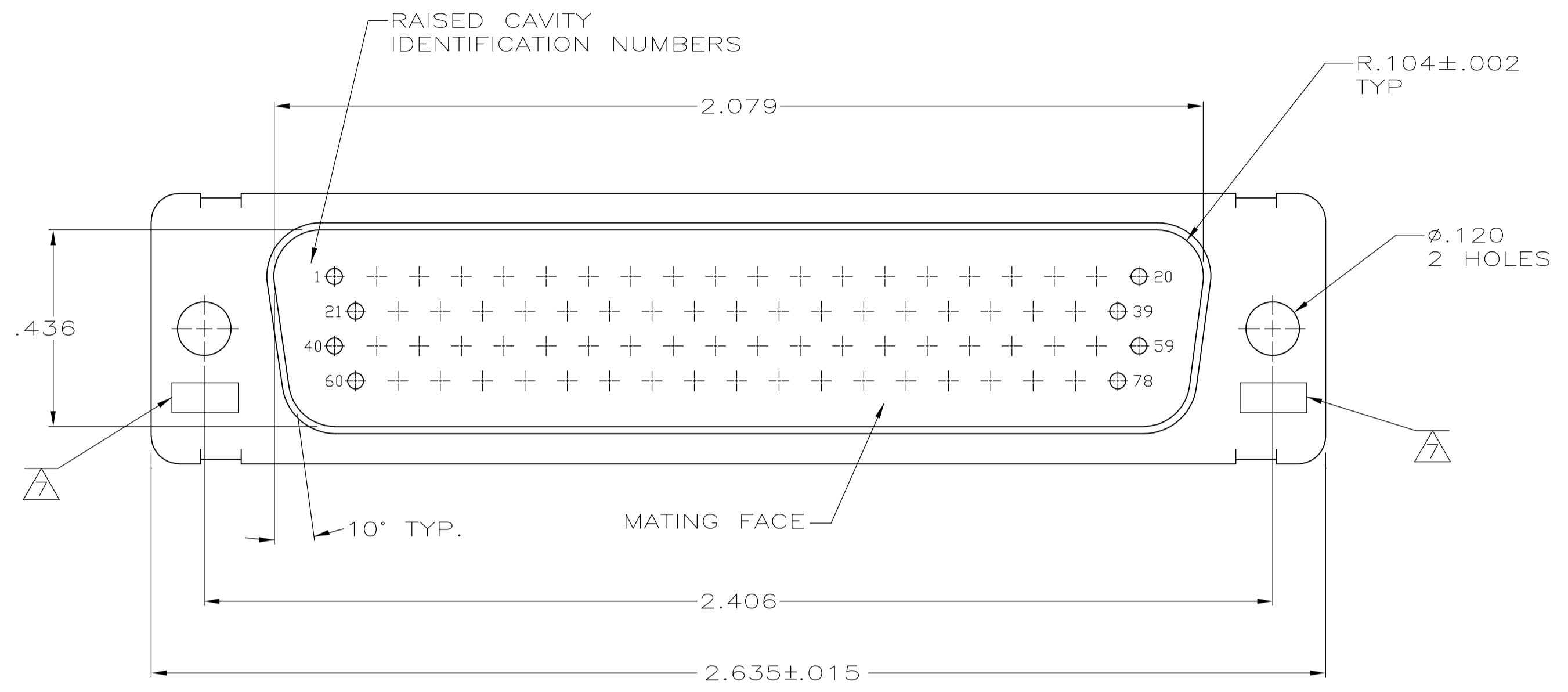
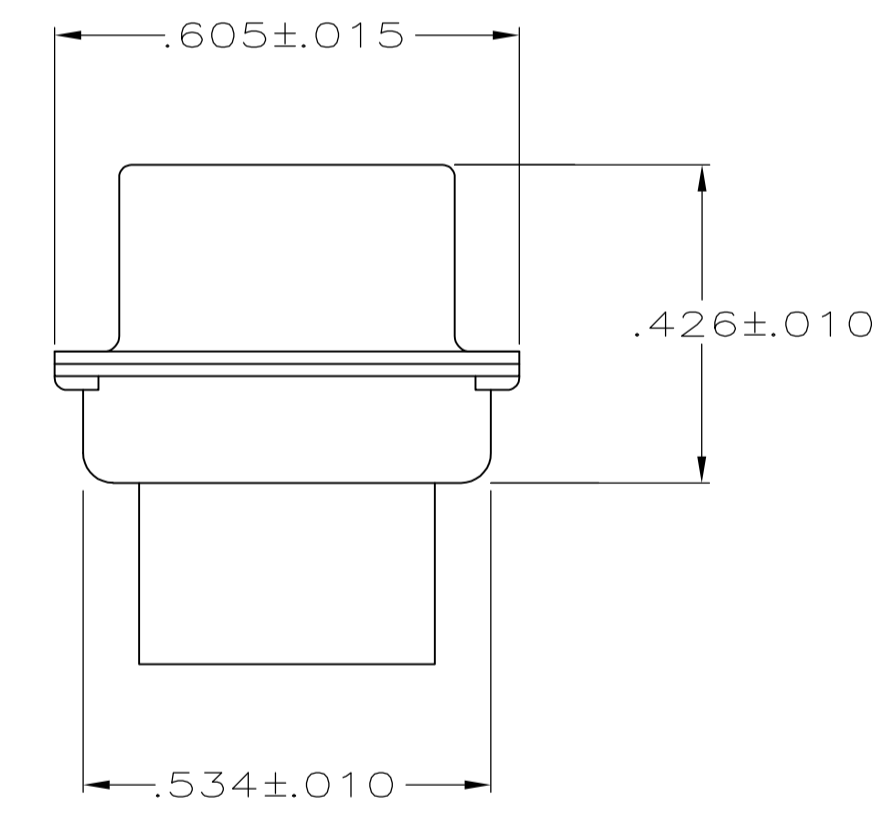
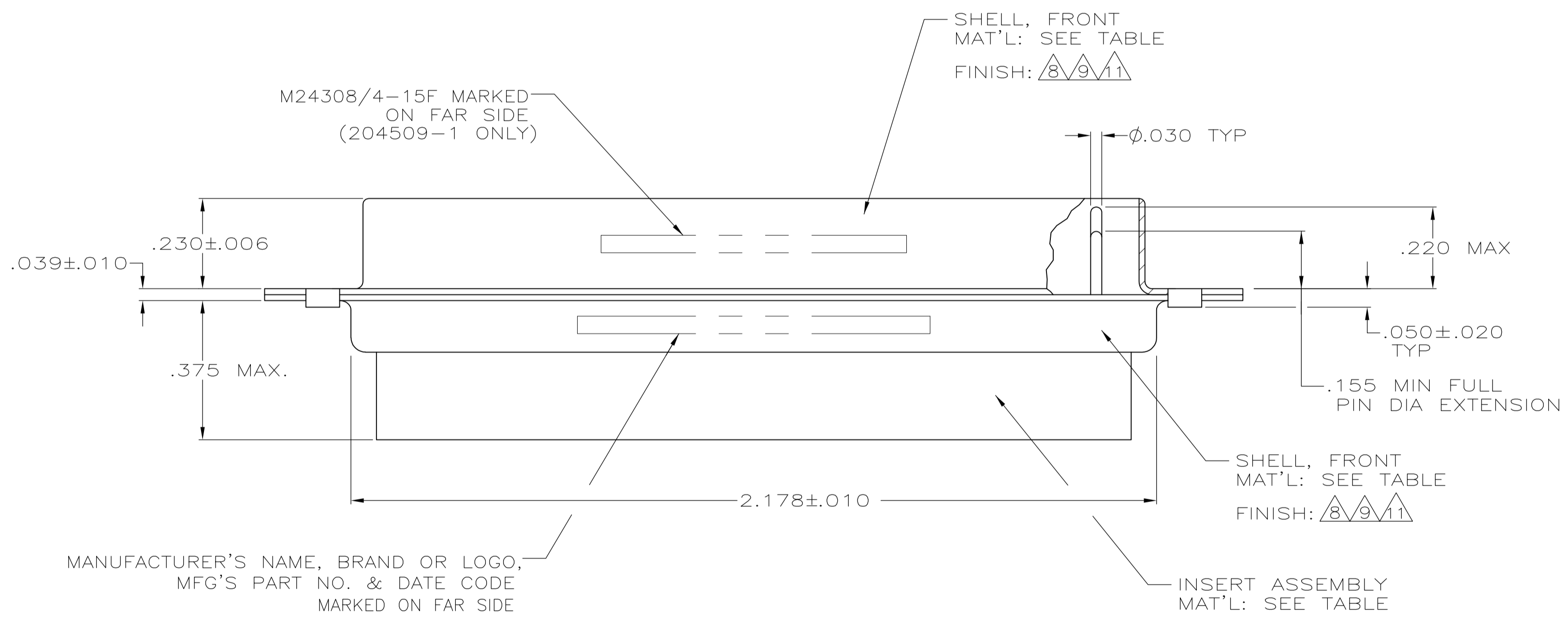


LOC		DIST		REVISIONS			
P	LTR	DESCRIPTION	DATE	DNW	APVD		
Y		REV PER ECO-15-016062	09NOV15	KG	CD		

- 204509-1 IS DESIGNED TO CONFORM TO THE LATEST ISSUE OF MIL-C-24308.
 - MAX WIRE INSUL. TO BE USED WITH THIS PLUG IS .054 DIA.
 - METAL RETENTION CLIPS ARE INCLUDED IN INSERTS.
 - PACKAGE STAMPED M 24308/4-268F, 204509-1 ONLY.
 - THIS PLUG WILL ACCEPT SIZE 22 PIN CONTACT M 39029/58-360 OR ANY TYCO HDD-22 PIN CONTACT.
- ⑩ UL/CSA DESIGNATION STAMPED IN THIS AREA.
 - ⑧ CADMIUM PER QQ-P-416.
 - ⑨ BRIGHT TIN PER ASTM-B-545 OVER COPPER PER AMS2418.
 - ⑩ GROUNDING INDENTS ON FRONT SHELL NOT SHOWN ON DRAWING.
 - ⑪ BRIGHT TIN PER ASTM-B-545 .000400-.000550 THK OVER COPPER PER AMS2418 .000050 MIN THK.



CLINCH NUT DETAIL
FOR 204509-6 ONLY
2 PLC



REMARKS	FINISH	INK STAMP	P/N	SHELL MATERIAL	INSERT MATERIAL	PART NO.
	⑩			STEEL PER ASTM-A-109	GST-40F PER MIL-M-24519 COLOR: BLACK	204509-8
	-			STEEL PER ASTM-A-109	GST-40F PER MIL-M-24519 COLOR: BLACK	204509-7
	SEE CLINCH NUT DETAIL			STEEL PER ASTM-A-109	GST-40F PER MIL-M-24519 COLOR: BLACK	204509-6
	⑩			STEEL PER ASTM-A-109	GST-40F PER MIL-M-24519 COLOR: BLACK	204509-5
SUPSD BY 204509-1	-			STEEL PER ASTM-A-109	GST-40F PER MIL-M-24519 COLOR: BLACK	204509-3
SUPSD BY 206504-4	-			BRASS	GST-40F PER MIL-M-24519 COLOR: BLACK	204509-2
	⑧			STEEL PER ASTM-A-109	GST-40F PER MIL-M-24519 COLOR: BLACK	204509-1

THIS DRAWING IS A CONTROLLED DOCUMENT. **STE** TE Connectivity

APVD: LARRY OH 13-NOV-99
CHK: C.C. THOMAS 13-NOV-99

NAME: PLUG ASSY, AMPLIMITE, 78 POSN SIZE 5, SERIES 90

PRODUCT SPEC: -
APPLICATION SPEC: -

SIZE: A1 CASE CODE: 00779 DRAWING NO: 204509

RESTRICTED TO: -
WEIGHT: -
CUSTOMER DRAWING: -

SCALE: 4:1 SHEET: 1 OF 1 REV: Y

X-ON Electronics

Largest Supplier of Electrical and Electronic Components

Click to view similar products for [D-Sub High Density Connectors](#) category:

Click to view products by [TE Connectivity](#) manufacturer:

Other Similar products are found below :

[1484349-1](#) [163A16769X](#) [163A16809X](#) [163A17089X](#) [164A17199X](#) [164A17209X](#) [164A17479X](#) [164A18209X](#) [17BH-044S-AA110](#) [K86X-AD-26S](#) [KF66X-E15P-N](#) [241A17320X](#) [242A25680X](#) [242A25740X](#) [L717HDB44POL2R210](#) [L717HDCH62POL2RM5](#) [L717HDEH15POL2L777HDE15P](#) [L77HDC62S](#) [163A16599X](#) [163A16779X](#) [163A16839X](#) [163A17079X](#) [164A17309X](#) [164A17329X](#) [164A18219X](#) [241A16440X](#) [241A16550X](#) [241A16680X](#) [241A17390X](#) [241A20810X](#) [241A25740X](#) [CT25-44P](#) [K66X-E15S-N30](#) [K86X-BA-44S](#) [K86X-ED-15S-BR15](#) [K86X-ED-15SK](#) [L177HDE15SOL2RM23](#) [L177HRC62S](#) [L177HRC62SVFM](#) [L177HRCG62S](#) [L717HDBH44POL2RM5](#) [L717HDEG15POL2RM5](#) [L77HDA26SVF](#) [L77HDE15SD1CO](#) [L77HDEH15SOL2RM832](#) [443895-3](#) [106698-1](#) [5529599](#) [280-012K2C](#)