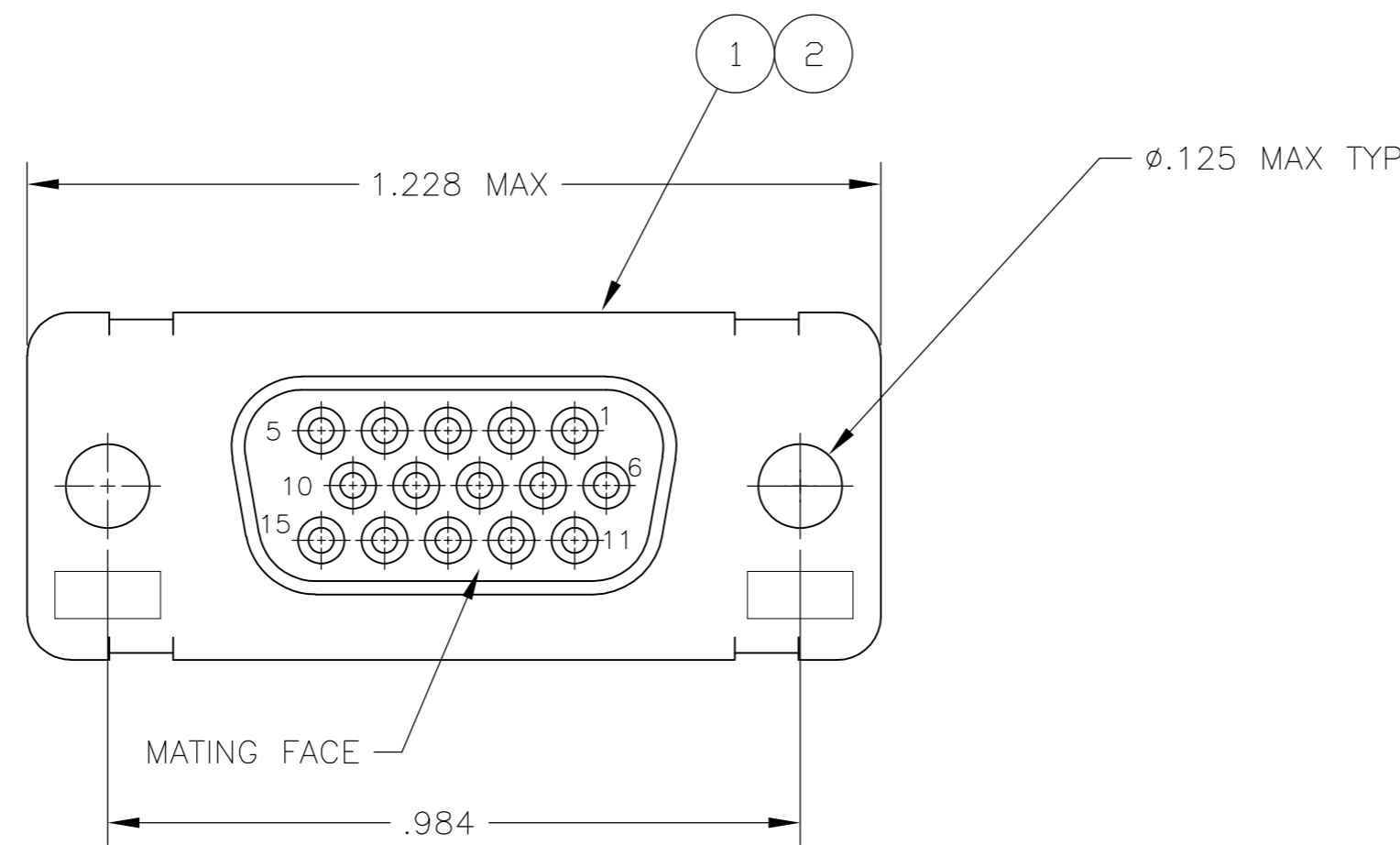
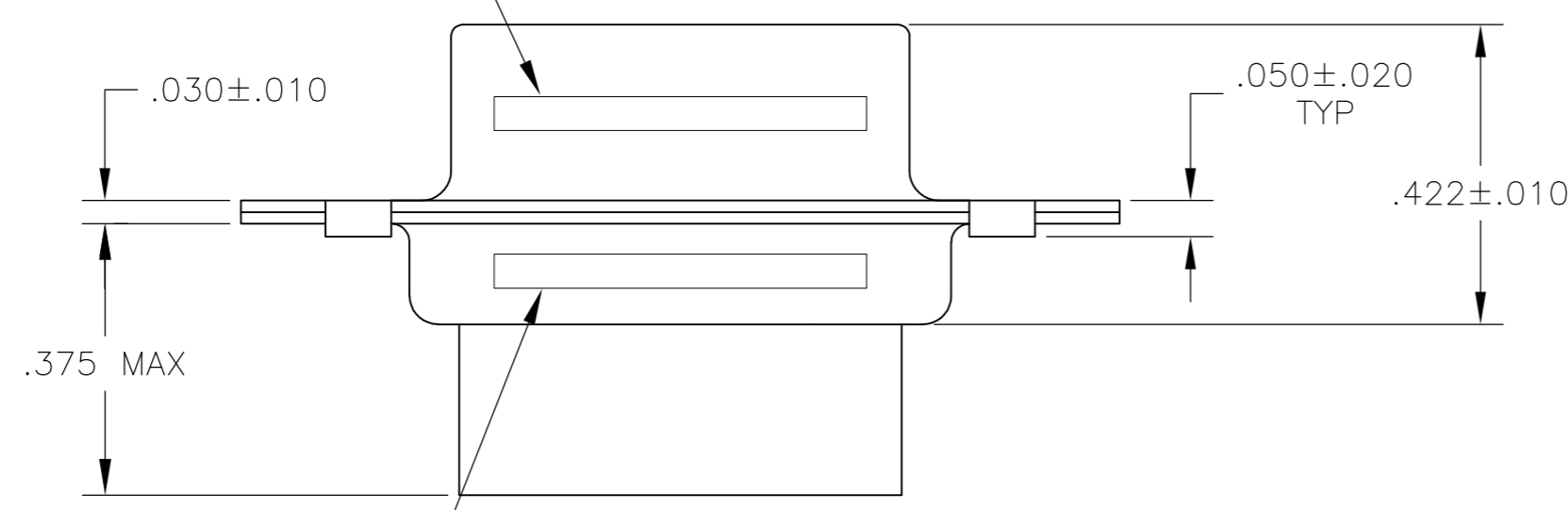


THIS DRAWING IS UNPUBLISHED. RELEASED FOR PUBLICATION  
 © COPYRIGHT - By - ALL RIGHTS RESERVED.

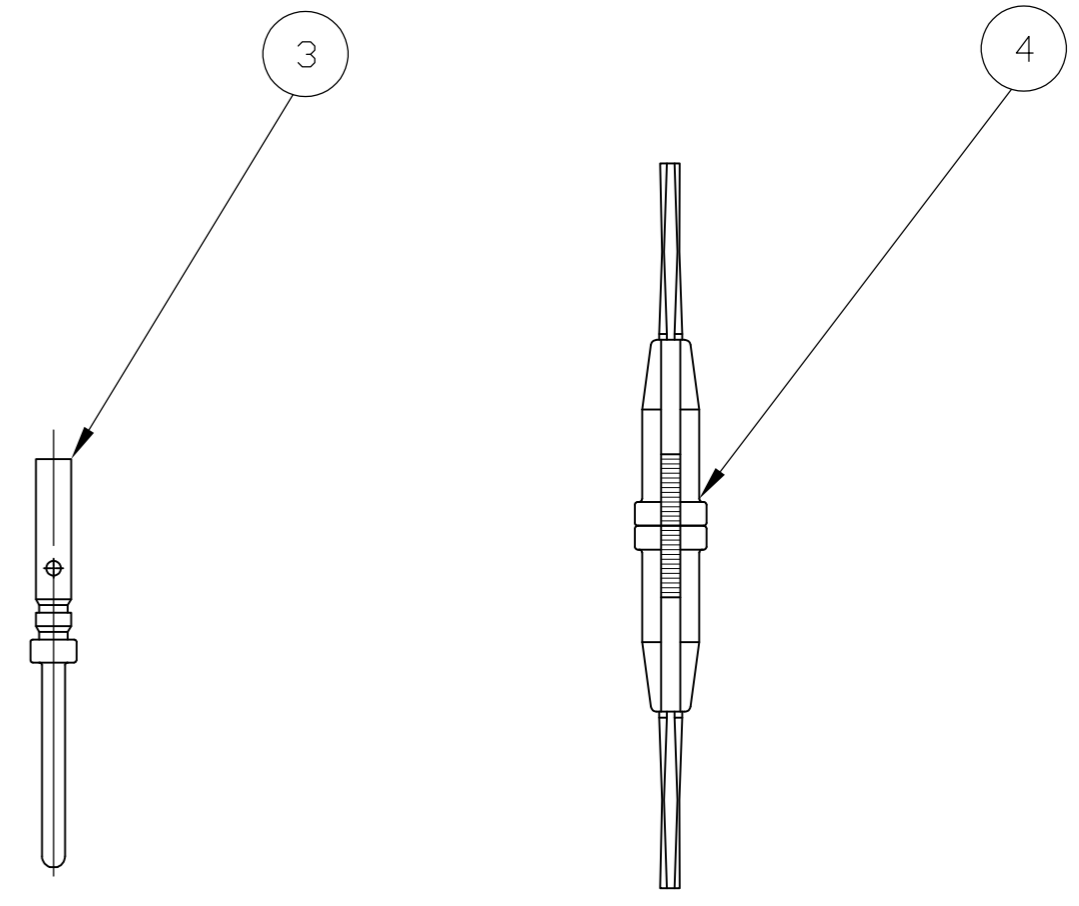
LOC	DIST	REVISIONS					
DF	D5	P	LTR	DESCRIPTION	DATE	DWN	APVD
		H1		REVISED PER ECO-11-005030	11MAR11	RK	HMR



MARK TE & DATE CODE  
 PER 115-10002-2  
 NEAR SIDE



MARK MILITARY PART NO.  
 FAR SIDE PER 115-10002-2  
 MARK TE PART NO, NEAR SIDE  
 SEE TABLE



OBSOLETE	M24308/8-17F	M24308/8-11F	91067-1	204370-2	204501-2	-	204513-6
OBSOLETE	M24308/8-11F	M24308/8-11F	-	204370-2	204501-2	-	204513-5
OBSOLETE	-	M24308/8-11F	91067-1	-	204501-2	-	204513-4
	M24308/4-17F	M24308/4-11F	91067-1	204370-2	-	204501-1	204513-3
	M24308/4-11F	M24308/4-11F	-	204370-2	-	204501-1	204513-2
	-	M24308/4-11F	91067-1	-	-	204501-1	204513-1
MILITARY P/N ON PACKAGE	MILITARY P/N ON CONNECTOR	(4) INSERT/EXTRACT TOOL QTY = 1	(3) PIN CONTACT QTY = 15	(2) RECEPTACLE ASSY QTY = 1	(1) RECEPTACLE ASSY QTY = 1	PART NUMBER	

THIS DRAWING IS A CONTROLLED DOCUMENT.

DIMENSIONS: INCHES	TOLERANCES UNLESS OTHERWISE SPECIFIED:	DWN P. YEAGER 15DEC08	 TE Connectivity AMPLIMITE KIT, HDD SERIES PLUG, SIZE 1, 15 POSITION
	0 PLC ± -	CHK R. LEASE 16DEC08	
	1 PLC ± -	APVD R. LEASE 16DEC08	
	2 PLC ± -	PRODUCT SPEC	
MATERIAL SEE TABLE	FINISH SEE TABLE	APVD R. LEASE 16DEC08	NAME
		APPLICATION SPEC	SIZE A2
		WEIGHT -	CAGE CODE 00779
		CUSTOMER DRAWING	DRAWING NO C-204513
			RESTRICTED TO -
			SCALE 4:1
			SHEET 1 OF 1
			REV H1

## X-ON Electronics

Largest Supplier of Electrical and Electronic Components

*Click to view similar products for [D-Sub MIL Spec Connectors](#) category:*

*Click to view products by [TE Connectivity](#) manufacturer:*

Other Similar products are found below :

[M85049/50-5F](#) [850-056-0812](#) [1218697-4](#) [1484349-1](#) [17D25HV](#) [1996840-1](#) [243082-15](#) [1757682-1](#) [17D-E51218-1](#) [17SDA15S](#) [1883533-1](#)  
[1883886-1](#) [1883889-1](#) [192900-0377](#) [M24308/8-347](#) [M83513/03-E09C](#) [443961-3](#) [5-1218949-1](#) [550-031NF1R6K](#) [3-1236089-2](#)  
[550E001NF1R3J0L](#) [550T001NF1R6K0L](#) [557T283NF5B08](#) [DB121073-56](#) [DC121073157](#) [443869-3](#) [443869-4](#) [443869-5](#)  
[550S004NF1R1B0F03](#) [557E283NF1A06](#) [527-019NF0303R2K1F](#) [5-446405-1](#) [550-031NF1R2E](#) [550E003M2R9J0F04](#) [550E003M3R9J0F05](#)  
[550E024M104R9J0](#) [550E024NF102R3J0B](#) [550E039NF1R3J1-02](#) [550S003M3R9B0F05](#) [550S004M4R7M0F04](#) [550S004NF1R1B1F02](#)  
[550S008M3F0K0F04](#) [550S086M5R3J0L](#) [550S100NF3F0E](#) [550T001M2R7E0L](#) [550T001NF1F0B1L](#) [550T001NF1R1K0G](#)  
[550T001NF1R3K0G](#) [550T001NF1R4K0L](#) [550T001NF2R2K0L](#)