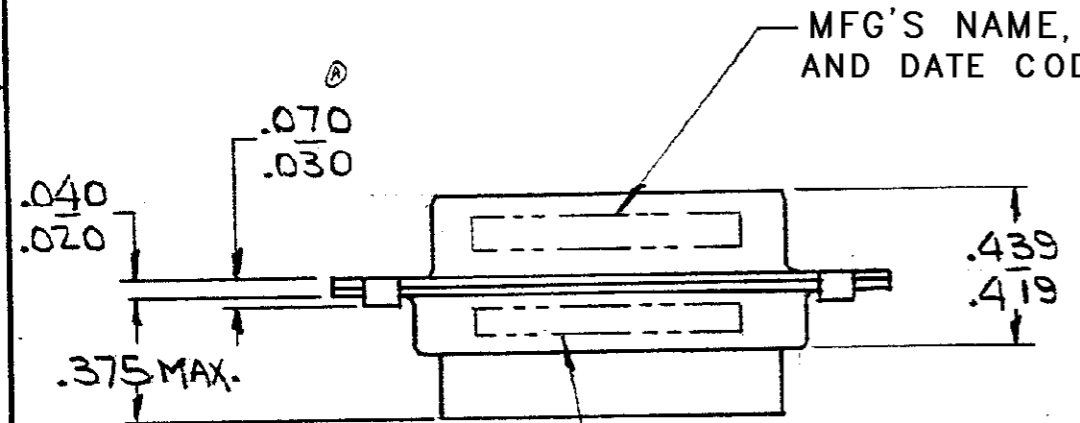
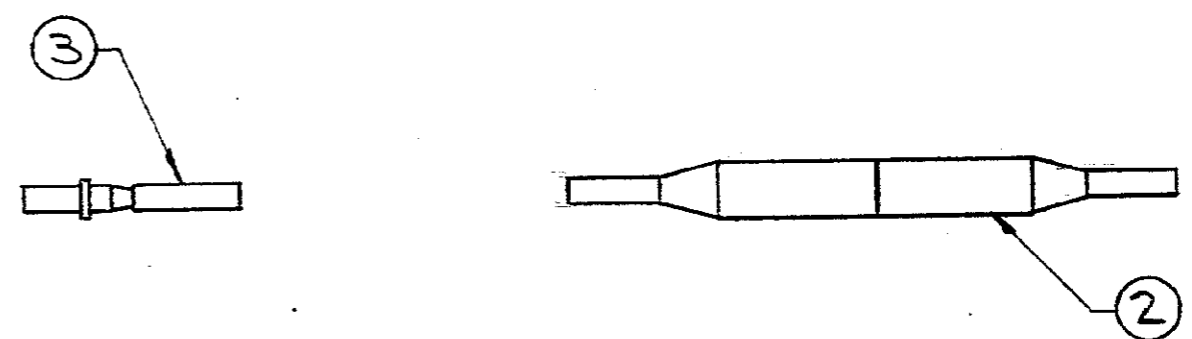
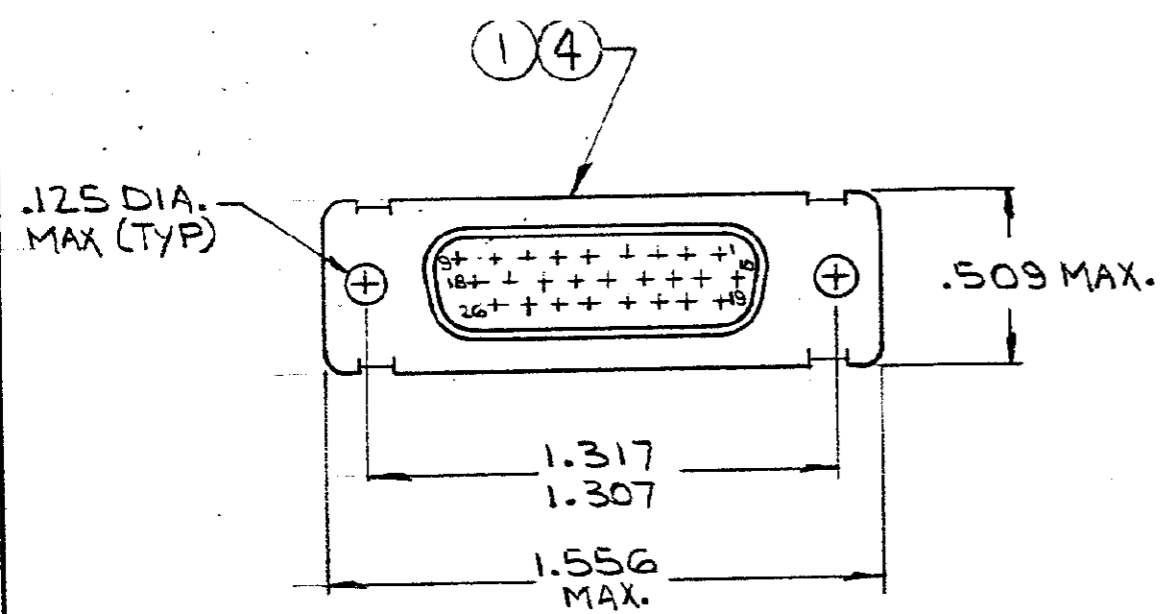


DRAWING MADE IN AMERICAN PROJECTION

REVISIONS				
ZONE	LTR	DESCRIPTION	DATE	APPROVED
	F1	REVISED PER ECO-11-005030	24MAR11	HMR



MARKED ON FAR SIDE
 ⓐ M24308/2-12F (-1, -2 & -3 ONLY)
 ⓑ M24308/6-12F (-4, -5 & -6 ONLY)

-	X	-	-	-	-	MIL No. M24308/6-12F MARKED ON PACKAGE	
-	-	-	-	X	-	MIL No. M24308/2-12F MARKED ON PACKAGE	
X	-	-	-	-	-	MIL No. M24308/6-18F MARKED ON PACKAGE	
-	-	-	X	-	-	MIL No. M24308/2-18F MARKED ON PACKAGE	
1	1	1	-	-	-	C 204502-2 RECEPTACLE ASSY, SIZE 2 (BRASS SHELL)	4
26	26	-	26	26	-	B 204351-1 CONTACT, SOCKET, SIZE 22D	3
1	-	1	1	-	1	B 91067-1 INSERTION/EXTRACTION TOOL	2
-	-	-	1	1	1	C 204502-1 RECEPTACLE ASSY, SIZE 2 (STEEL SHELL)	1
6	5	4	3	2	1	DWG NUMBER	NAME

UNLESS OTHERWISE SPECIFIED DIMENSIONS ARE IN INCHES TOLERANCES ON: DECIMALS ± # ANGLES ± #	CONTRACT NO.		
	DR. <i>W. J. ...</i> 11/30/70		
MATERIAL	CHK. <i>R. ...</i> 12-3-70	NAME KIT, "HDD" SERIES, RECEPTACLE, SIZE #2 (26 POS.)	
	APPD. <i>R. ...</i> 12-9-70	SIZE	CODE IDENT NO.
RE. <i>R. ...</i> 12-9-70	DSGN APPD.	B	00779
OTHER APPD.		NUMBER	204514
		SCALE	SHEET 1 OF 1
		REV	F1

△ SUPSD BY 206501-49 (26) 206071-1

CUSTOMER DRAWING

D
S
C
B
A
LOC
DF
PRINT DIST

D
C
A
B
A

X-ON Electronics

Largest Supplier of Electrical and Electronic Components

Click to view similar products for [D-Sub MIL Spec Connectors](#) category:

Click to view products by [TE Connectivity](#) manufacturer:

Other Similar products are found below :

[M85049/50-5F](#) [D38999/24WG11PB-LC](#) [MDM-9SH006A](#) [1218697-4](#) [D38999/26WJ61PC L/C](#) [1484349-1](#) [17D25HV](#) [1996840-1](#) [243082-15](#)
[1757682-1](#) [17D-E51218-1](#) [17SDA15S](#) [1883533-1](#) [1883886-1](#) [1883889-1](#) [192900-0377](#) [M24308/8-347](#) [M83513/03-E09C](#) [443961-3](#) [5-](#)
[1218949-1](#) [550-031NF1R6K](#) [3-1236089-2](#) [550E001NF1R3J0L](#) [550T001NF1R6K0L](#) [557T283NF5B08](#) [DB121073-56](#) [DC121073157](#)
[443869-3](#) [443869-4](#) [443869-5](#) [550S004NF1R1B0F03](#) [557E283NF1A06](#) [527-019NF0303R2K1F](#) [5-446405-1](#) [550-031NF1R2E](#)
[550E003M2R9J0F04](#) [550E003M3R9J0F05](#) [550E024M104R9J0](#) [550E024NF102R3J0B](#) [550E039NF1R3J1-02](#) [550S003M3R9B0F05](#)
[550S004M4R7M0F04](#) [550S004NF1R1B1F02](#) [550S008M3F0K0F04](#) [550S086M5R3J0L](#) [550S100NF3F0E](#) [550T001M2R7E0L](#)
[550T001NF1F0B1L](#) [550T001NF1R1K0G](#) [550T001NF1R3K0G](#)