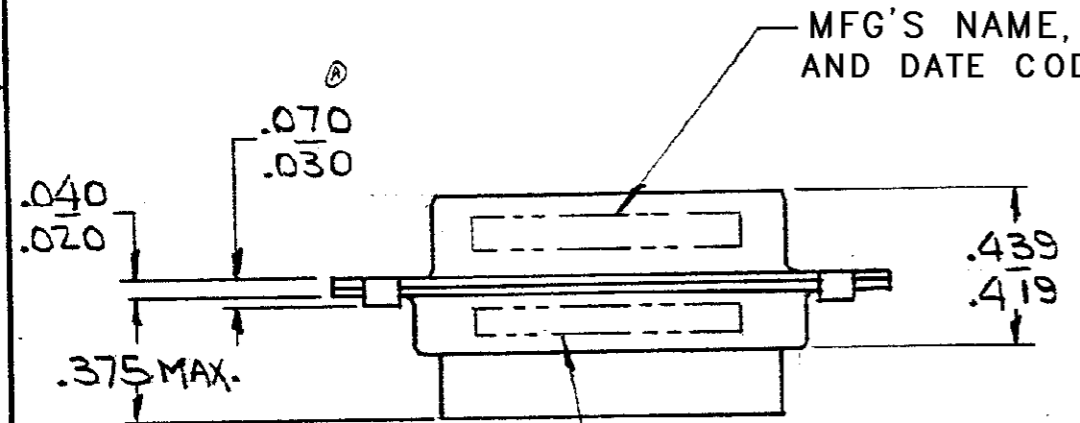
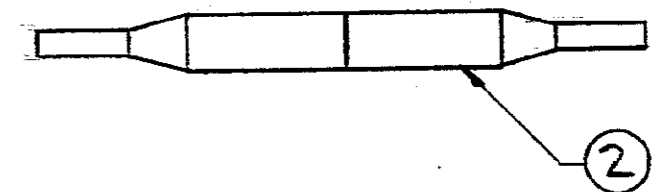
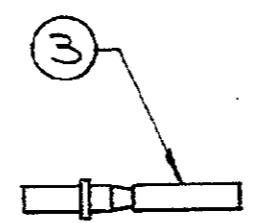
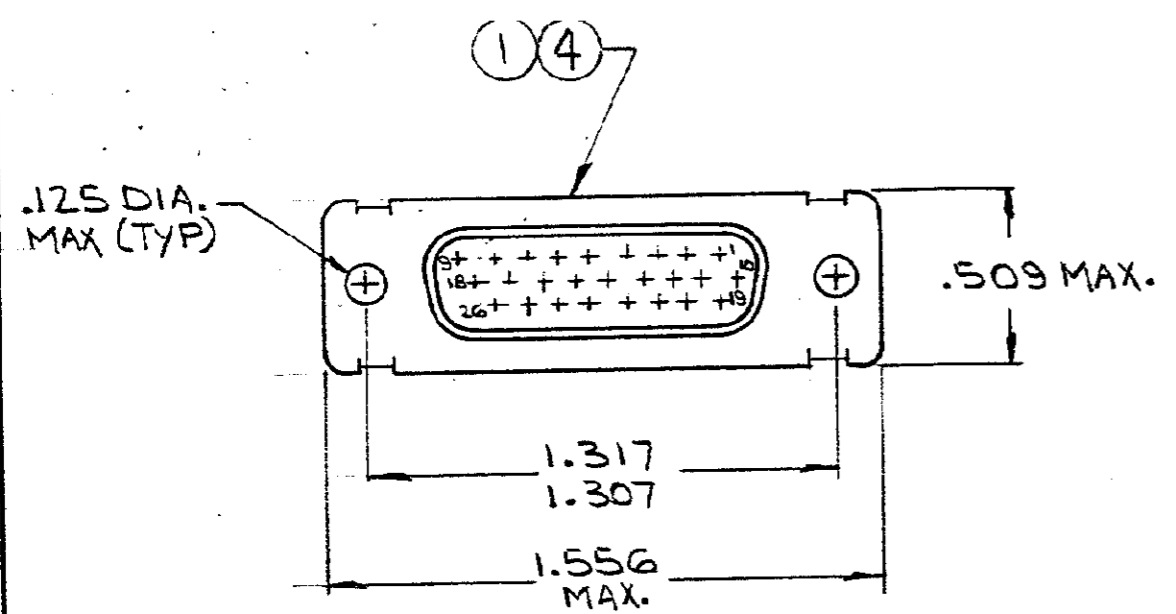


DRAWING MADE IN AMERICAN PROJECTION

| REVISIONS | | | | |
|-----------|-----|---------------------------|---------|----------|
| ZONE | LTR | DESCRIPTION | DATE | APPROVED |
| | F1 | REVISED PER ECO-11-005030 | 24MAR11 | HMR |



MARKED ON FAR SIDE
 ⓐ M24308/2-12F (-1, -2 & -3 ONLY)
 ⓑ M24308/6-12F (-4, -5 & -6 ONLY)

| | | | | | | | |
|----|----|---|----|----|---|--|------|
| - | X | - | - | - | - | MIL No. M24308/6-12F MARKED ON PACKAGE | |
| - | - | - | - | X | - | MIL No. M24308/2-12F MARKED ON PACKAGE | |
| X | - | - | - | - | - | MIL No. M24308/6-18F MARKED ON PACKAGE | |
| - | - | - | X | - | - | MIL No. M24308/2-18F MARKED ON PACKAGE | |
| 1 | 1 | 1 | - | - | - | C 204502-2 RECEPTACLE ASSY, SIZE 2 (BRASS SHELL) | 4 |
| 26 | 26 | - | 26 | 26 | - | B 204351-1 CONTACT, SOCKET, SIZE 22D | 3 |
| 1 | - | 1 | 1 | - | 1 | B 91067-1 INSERTION/EXTRACTION TOOL | 2 |
| - | - | - | 1 | 1 | 1 | C 204502-1 RECEPTACLE ASSY, SIZE 2 (STEEL SHELL) | 1 |
| 6 | 5 | 4 | 3 | 2 | 1 | DWG NUMBER | NAME |

| | | | | |
|---|---------------------------------|--------------|--|--------|
| UNLESS OTHERWISE SPECIFIED DIMENSIONS ARE IN INCHES TOLERANCES ON: DECIMALS ± # ANGLES ± # | CONTRACT NO. | | | |
| | DR. <i>W. Williams</i> 11/30/70 | | | |
| | MATERIAL | NAME | KIT, "HDD" SERIES, RECEPTACLE, SIZE #2 (26 POS.) | |
| | OTHER APPD | SIZE | CODE IDENT NO. | NUMBER |
| 035 | B | 00779 | 204514 | F1 |
| 035 | SCALE | SHEET 1 OF 1 | | |

△ SUPSD BY 206501-49 (26) 206071-1

CUSTOMER DRAWING

X-ON Electronics

Largest Supplier of Electrical and Electronic Components

Click to view similar products for [D-Sub MIL Spec Connectors](#) category:

Click to view products by [TE Connectivity](#) manufacturer:

Other Similar products are found below :

[M24308/4-13Z](#) [M8351307-B](#) [D38999/24WG11PB-LC](#) [MDM-21SH003B-K139](#) [1218697-4](#) [MS27467T21F41S](#) [MS27468T21F11P](#)
[MS27468T21F11S](#) [17D25HV](#) [1996840-1](#) [243082-15](#) [1663962-1](#) [1757682-1](#) [17D-E51218-1](#) [17SDA15S](#) [1883533-1](#) [1883886-1](#) [1883889-1](#)
[192900-0377](#) [M24308/2-3Z](#) [M24308/4-3Z](#) [M24308/4-4F](#) [M24308/4-4Z](#) [M83513/03-E09C](#) [M83723/75W2212N L/C](#) [D38999/24FJ29PN-LC](#)
[D38999/24WG11SB-LC](#) [5-1218949-1](#) [550-031NF1R6K](#) [550E001NF1R3J0L](#) [550T001NF1R6K0L](#) [C115368-1612B](#) [C115370-1717B](#)
[DC121073157](#) [443869-3](#) [443869-4](#) [443869-5](#) [550S004NF1R1B0F03](#) [550-031NF1R2E](#) [550E003M2R9J0F04](#) [550E003M3R9J0F05](#)
[550E024M104R9J0](#) [550E024NF102R3J0B](#) [550E039NF1R3J1-02](#) [550S003M3R9B0F05](#) [550S004M4R7M0F04](#) [550S004NF1R1B1F02](#)
[550S086M5R3J0L](#) [550S100NF3F0E](#) [550T001M2R7E0L](#)