

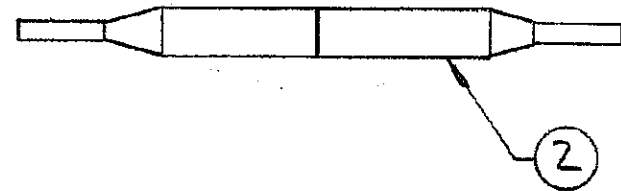
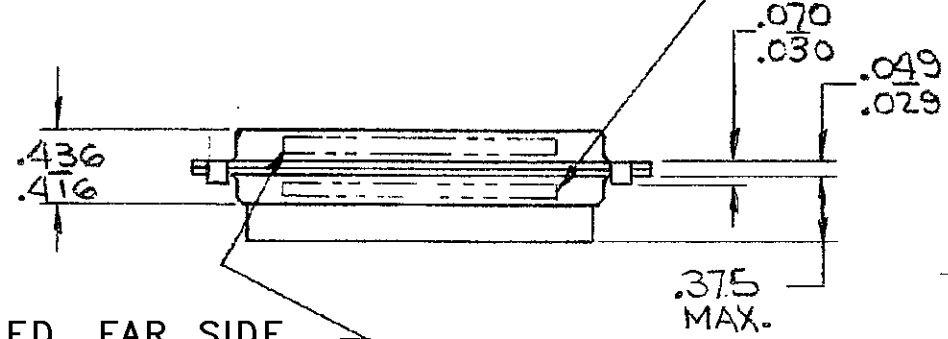
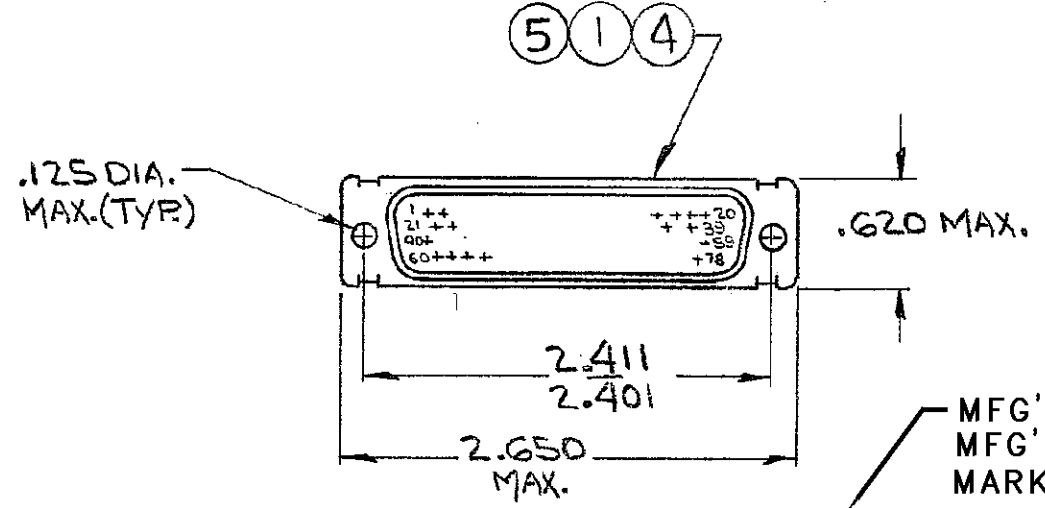
DRAWING MADE IN AMERICAN PROJECTION

© 1970 BY AMP INCORPORATED. ALL RIGHTS RESERVED. AMP PRODUCTS COVERED BY PATENTS AND/OR PATENTS PENDING.

Unpublished copy not to be reproduced without written permission of AMP Incorporated.

REVISIONS				
ZONE	LTR	DESCRIPTION	DATE	APPROVED
	A	REV. PER ECN B-684	4/11/72	[Signature]
	B	REV. PER ECN B-948	5/19/73	[Signature]
	C	ITEM 2 WAS 91054-1 ECN C-878	3/19/74	[Signature]
	D	REV PER ECN J-709	9-8-80	[Signature]
	E	REV PER DF-0021 & DF0160 & DF-0541 & R-2670 & DF-0370	6-2-88	EAM
	F	REV PER DF4250	5-91	AE
	G	REV PER 0600-6676-97	7-98	CT
	H	ECO-08-023688	11-08	BW

D
S
C
B
A



MARKED, FAR SIDE
M 24308/4-15 (1, 2, 3, F ONLY)
M 24308/8-15 (4, 5, 6 ONLY)
MARKED, FAR SIDE
10D649, LITTON IND. P/N (-7 ONLY)

MFG'S NAME, BRAND OR LOGO,
MFG'S PART NO AND DATE CODE
MARKED, FAR SIDE

1	-	-	-	-	-	C	204509-4	PLUG ASSY, SIZE 5 (STEEL SHELL)	5	
X	-	-	-	-	-			LITTON IND. P/N 10D649 MARKED ON PACKAGE		
-	-	X	-	-	-			MIL No. M24308/8-15F MARKED ON PACKAGE		
-	-	-	-	X	-			MIL No. M24308/4-15F MARKED ON PACKAGE		
-	X	-	-	-	-			MIL No. M24308/8-21F MARKED ON PACKAGE		
-	-	-	X	-	-			MIL No. M24308/4-21F MARKED ON PACKAGE		
-	1	1	1	-	-	C	204509-2	PLUG ASSY, SIZE 5 (BRASS SHELL)	4	
18	18	18	-	18	18	B	204370-2	CONTACT, PIN - SIZE 22D	3	
-	1	-	1	1	-	B	91067-1	INSERTION/EXTRACTION TOOL	2	
1	-	-	-	1	1	C	204509-1	PLUG ASSY, SIZE 5 (STEEL SHELL)	1	
-7	-6	-5	-4	-3	-2	-1	DWG SIZE	NUMBER	NAME	ITEM No.

UNLESS OTHERWISE SPECIFIED DIMENSIONS ARE IN INCHES TOLERANCES ON: DECIMALS ± # ANGLES ± #	CONTRACT NO.	AMP AMP INCORPORATED HARRISBURG, PENNSYLVANIA	
	DR. [Signature] 12/1/70		
MATERIAL	CHK [Signature] 12-3-70	NAME KIT, "HDD" SERIES, PLUG, SIZE #5 (78 POS.)	
	APPD [Signature] 12-8-70	SIZE	CODE IDENT NO.
	REL [Signature] 12-9-70	B	00779
	DSGN APPD [Signature]	NUMBER	204521
	OTHER APPD	SCALE #	SHEET 1 OF 1
		REV	H

△ SUPSD BY 206504-4 & (78) 204370-8

LOC DF
4968

X-ON Electronics

Largest Supplier of Electrical and Electronic Components

Click to view similar products for [D-Sub MIL Spec Connectors](#) category:

Click to view products by [TE Connectivity](#) manufacturer:

Other Similar products are found below :

[M85049/50-5F](#) [D38999/24WG11PB-LC](#) [MDM-9SH006A](#) [1218697-4](#) [D38999/26WJ61PC L/C](#) [1484349-1](#) [17D25HV](#) [1996840-1](#) [243082-15](#)
[1757682-1](#) [17D-E51218-1](#) [17SDA15S](#) [1883533-1](#) [1883886-1](#) [1883889-1](#) [192900-0377](#) [M24308/8-347](#) [M83513/03-E09C](#) [443961-3](#) [5-](#)
[1218949-1](#) [550-031NF1R6K](#) [3-1236089-2](#) [550E001NF1R3J0L](#) [550T001NF1R6K0L](#) [557T283NF5B08](#) [DB121073-56](#) [DC121073157](#)
[443869-3](#) [443869-4](#) [443869-5](#) [550S004NF1R1B0F03](#) [557E283NF1A06](#) [527-019NF0303R2K1F](#) [5-446405-1](#) [550-031NF1R2E](#)
[550E003M2R9J0F04](#) [550E003M3R9J0F05](#) [550E024M104R9J0](#) [550E024NF102R3J0B](#) [550E039NF1R3J1-02](#) [550S003M3R9B0F05](#)
[550S004M4R7M0F04](#) [550S004NF1R1B1F02](#) [550S008M3F0K0F04](#) [550S086M5R3J0L](#) [550S100NF3F0E](#) [550T001M2R7E0L](#)
[550T001NF1F0B1L](#) [550T001NF1R1K0G](#) [550T001NF1R3K0G](#)