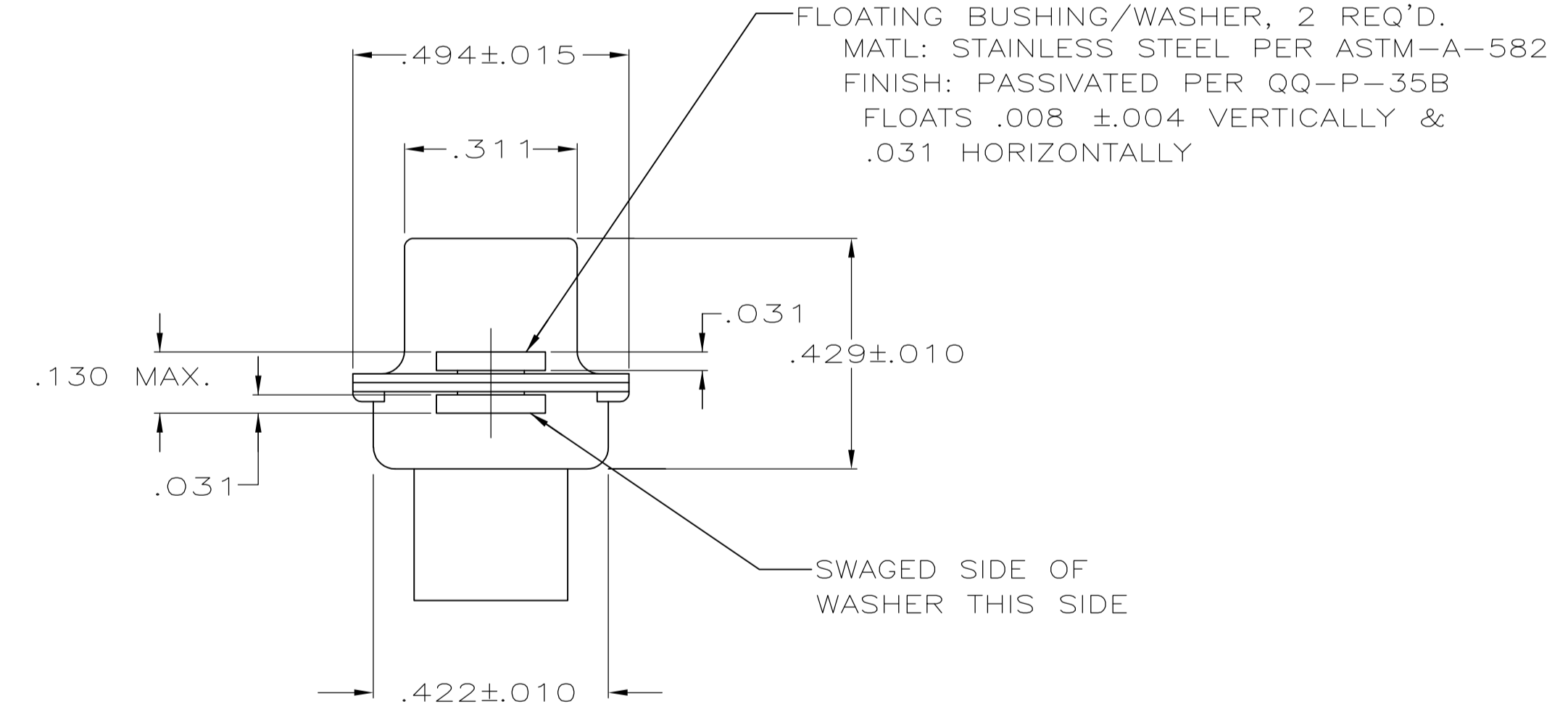
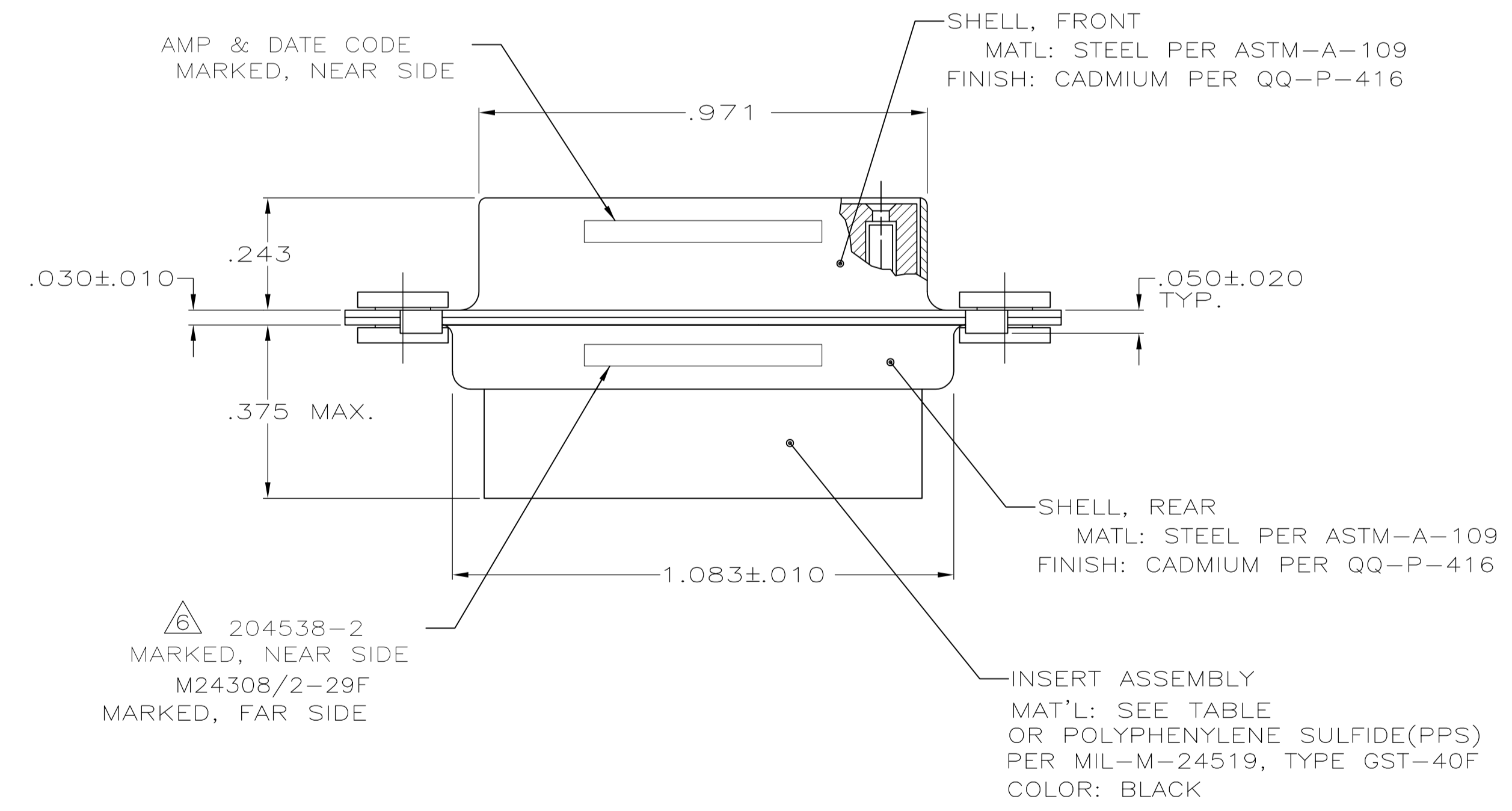
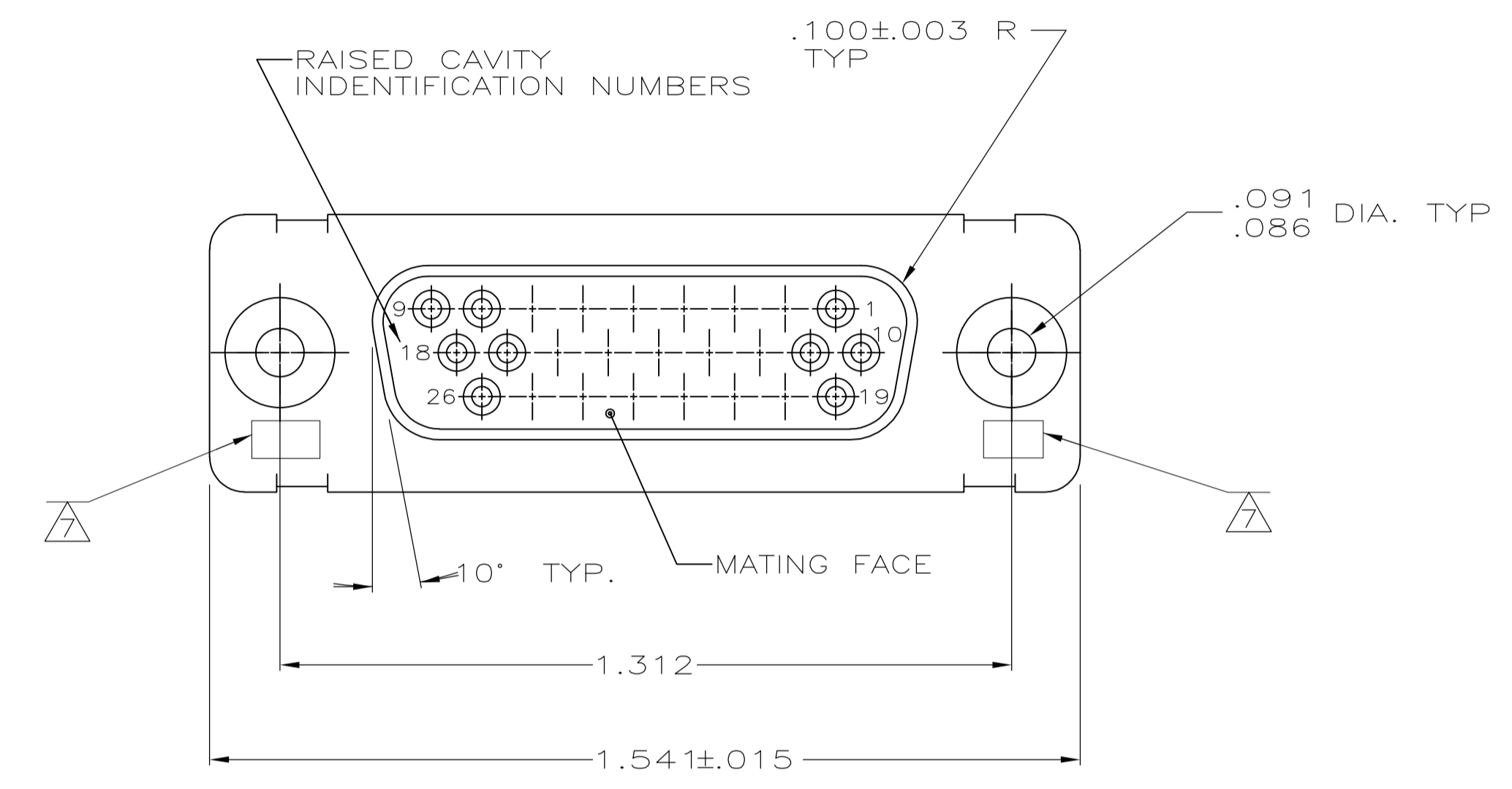


| LOC |     | DIST                  |         | REVISIONS |      |  |  |
|-----|-----|-----------------------|---------|-----------|------|--|--|
| P   | LTR | DESCRIPTION           | DATE    | DNW       | APVD |  |  |
| P   |     | REV PER ECO-15-016062 | 09NOV15 | KG        | CD   |  |  |



- THIS RCPT. IS DESIGNED TO CONFORM TO THE LATEST ISSUE OF MIL-C-24308
  - MAX WIRE INSUL TO BE USED WITH THIS RCPT IS .054 DIA
  - METAL RETENTION CLIPS ARE INCLUDED IN INSERTS
  - PACKAGE MARKED M 24308/2-298F
  - THIS RCPT. WILL ACCEPT SIZE 22 SOCKET CONTACT M 24308/12 OR AMP # 204351
- △ AMP PART NO. MARKED ON CONNECTOR REPRESENTS KIT NUMBER WITH CONTACTS
- △ UL/CSA DESIGNATION MARKED IN THIS AREA.

|          |  |          |
|----------|--|----------|
| OBSELETE | PHENOLIC, COLOR: BLACK   | 204524-2 |
|          | POLYPHENYLENE SULFIDE (PPS) GST-40F PER MIL-M-24519 OR GLASS FILLED POLYESTER TPES013G30 PER ASTM D5927 COLOR, BLACK | 204524-1 |
|          | INSERT MATERIAL  | PART NO. |

THIS DRAWING IS A CONTROLLED DOCUMENT.

|                    |  |             |                     |                       |                     |           |  |
|--------------------|--|-------------|---------------------|-----------------------|---------------------|-----------|--|
| DIMENSIONS: INCHES | TOLERANCES UNLESS OTHERWISE SPECIFIED: | DIN 12-3-87 | C.C. THOMAS 1-25-88 | FC BALLEW III 1-25-88 | APVD D.J.M. 1-25-88 | NAME      | AMPLIMITE RCPT. FOR SOCKET CONTACTS HI-DENSITY D CONN, SIZE 2, SERIES 90 WITH FLOAT BUSHINGS |
| 0 PLC ± -          | 1 PLC ± -                              | 2 PLC ± -   | 3 PLC ± .005        | 4 PLC ± -             | ANGLES ± -          | FINISH    | SEE CALLOUTS   |
| MATERIAL           | SEE CALLOUTS                           | WEIGHT      | —                   | SIZE                  | A1                  | CAGE CODE | 00779  |
| CUSTOMER DRAWING   |  | SCALE       | 4:1                 | SHEET                 | 1 OF 1              | REV       | P  |

STE TE Connectivity

## X-ON Electronics

Largest Supplier of Electrical and Electronic Components

*Click to view similar products for [TE Connectivity](#) manufacturer:*

Other Similar products are found below :

[D38999/24FJ4AN](#) [570416-000](#) [CLTEQ-M81CE-SSRELAY-4-20V](#) [4-1195131-0](#) [650069-000](#) [SMD100-2](#) [358838-000](#) [CB-1022B-78](#)  
[RM707012](#) [RP410012](#) [MMS42](#) [1-640426-8](#) [2EDL4CM](#) [DTS20W19-11PD-3028-LC](#) [RM202615](#) [NC6-P104-06](#) [MSPS103B](#) [DTS26F21-](#)  
[41HE-LC](#) [DTS26F21-41AE](#) [DTS26F21-41PE-LC](#) [DTS26F21-11SE-3028-LC](#) [30DCB6](#) [1932144-1](#) [293545-4](#) [LVR125S](#) [MS27466T25F4PB](#)  
[CKB-38-78010](#) [TR04AI-TINELLOCKRING](#) [1206SFF150F/63-2](#) [D38999/20JB35HA](#) [TE1500A2R2J](#) [D38999/20WC8BB](#) [DTS24F19-11SC-](#)  
[3028-LC](#) [D38999/24WG11HA](#) [D38999/24WG11HN](#) [MS27467T21F11H](#) [DJT16E21-11HA](#) [MS27467T21F35J](#) [MS27467T21F11J](#)  
[MS27467T21F16H-LC](#) [MS27467T21F35H](#) [MS27467T21F41H-LC](#) [1206SFH150F/24-2](#) [RP330024](#) [DJT16E21-11PA-LC](#) [DJT16E21-11HA-](#)  
[LC](#) [DJT16E21-11AA](#) [MS27467T21B11JA](#) [DJT16E21-11JA](#) [MS27467T21B11JA-LC](#)