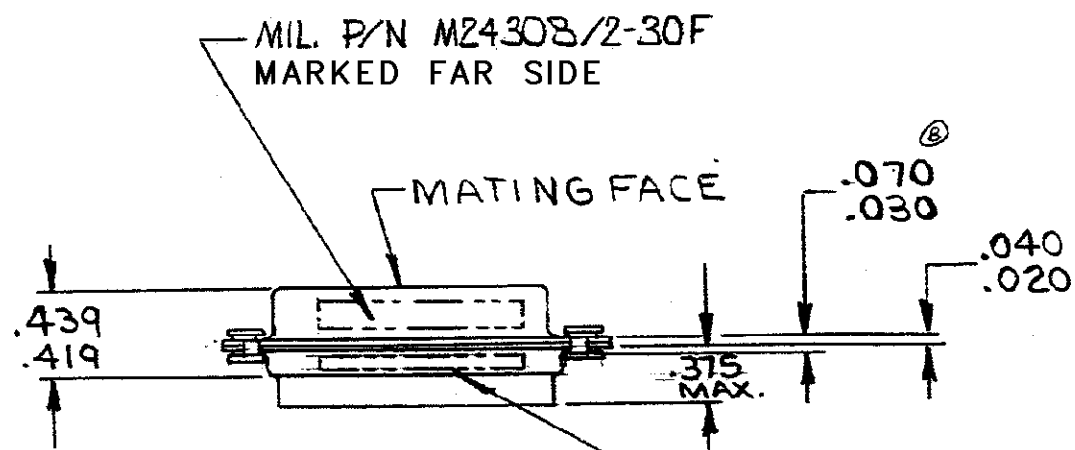
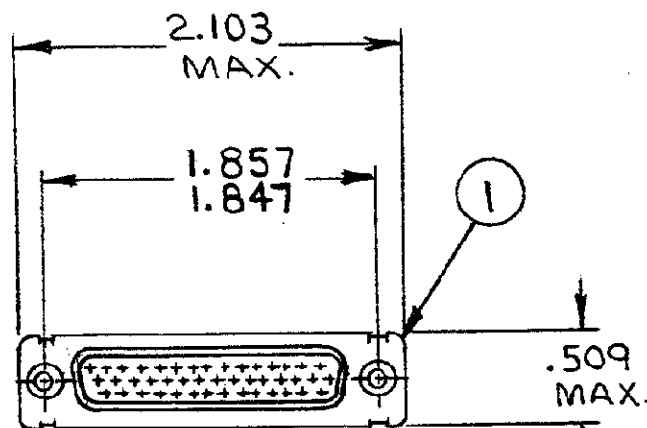


DRAWING MADE IN AMERICAN PROJECTION

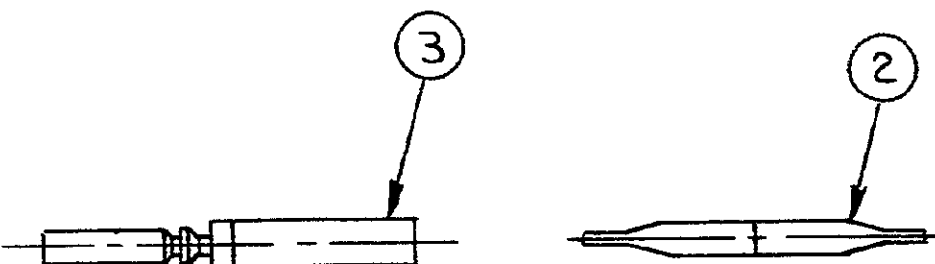
AMP INCORPORATED. ALL RIGHTS RESERVED. AMP PRODUCTS ARE COVERED BY PATENTS AND/OR PATENTS PENDING.

⚠ APPROPRIATE AMP P/N (KIT) IS MARKED ON PACKAGE

REVISIONS				
ZONE	LTR	DESCRIPTION	DATE	APPROVED
	A	REV. & REDRAWN RELEASED WAS 5066-171 PER ECN A-962	12-29-70	LM/AS
		NOTES ADDED ECN B-011	2/4/71	10/93
	B	REV. PER ECN B-948	5/11/73	9/93
	B1	REV. PER ECN E-342	5/19/74	10/93
	C	REV. PER ECN G-047	2/8/77	2/8/77
	D	REV PER ECN DF-0021 & DF-0160 & R2670	1-13-88	EAM
	E	ECO-08-023688	PY 11-08	BW



MFG'S NAME, BRAND OR LOGO
MFG'S PART NO AND DATE CODE
MARKED FAR SIDE



SUPSD BY 204540-2 & 91067-1

<input checked="" type="checkbox"/>	-	-	MILITARY P/N M24308/2-4IF	MARKED ON PACKAGE	
<input checked="" type="checkbox"/>	-	-	MILITARY P/N M24308/2-30F	MARKED ON PACKAGE	
48	48	-	B	204351-1	CONTACT, SOCKET, SIZE 22D 3
1	-	1	B	91067-1	INSERTION & EXTRACTION TOOL 2
1	1	1	A	204528-1	RECEPTACLE ASS'Y., SIZE #3 1
3	2	-	DWG SIZE	NUMBER	NAME

204540	204540	204540	UNLESS OTHERWISE SPECIFIED DIMENSIONS ARE IN INCHES TOLERANCES ON: DECIMALS ± #/100 ANGLES ± #/10	CONTRACT NO.	AMP INCORPORATED HARRISBURG, PENNSYLVANIA
			MATERIAL	DR. L. Morningstar 12-29-70	
			CHK. R. Baughman 1-19-71	NAME KIT, "HDD" SERIES RECEPTACLE SIZE #3	
			APPD. B. Bass 1-19-71	SIZE B	CODE IDENT NO. 00779
			REL. R. W. H. 1-19-71	NUMBER 204540	REV E
			DSGN APPD.	SCALE	SHEET 1 OF 1
			OTHER APPD.	CUSTOMER DRAWING	

X-ON Electronics

Largest Supplier of Electrical and Electronic Components

Click to view similar products for [D-Sub MIL Spec Connectors](#) category:

Click to view products by [TE Connectivity](#) manufacturer:

Other Similar products are found below :

[M24308/4-13Z](#) [M8351307-B](#) [D38999/24WE6SD](#) [D38999/24WG11PB-LC](#) [MDM-21SH003B-K139](#) [1218697-4](#) [MS27467T21F41S](#)
[MS27468T21F11P](#) [MS27468T21F11S](#) [17D25HV](#) [1996840-1](#) [243082-15](#) [1663962-1](#) [1757682-1](#) [17D-E51218-1](#) [17SDA15S](#) [1883533-1](#)
[1883886-1](#) [1883889-1](#) [192900-0377](#) [M24308/2-3Z](#) [M24308/4-3Z](#) [M24308/4-4F](#) [M24308/4-4Z](#) [M83513/03-E09C](#) [M83723/75W2212N L/C](#)
[D38999/24FJ29PN-LC](#) [D38999/24WG11SB-LC](#) [5-1218949-1](#) [550-031NF1R6K](#) [550E001NF1R3J0L](#) [550T001NF1R6K0L](#) [C115368-1612B](#)
[C115370-1717B](#) [DC121073157](#) [443869-3](#) [443869-4](#) [443869-5](#) [550S004NF1R1B0F03](#) [550-031NF1R2E](#) [550E003M2R9J0F04](#)
[550E003M3R9J0F05](#) [550E024M104R9J0](#) [550E024NF102R3J0B](#) [550E039NF1R3J1-02](#) [550S003M3R9B0F05](#) [550S004M4R7M0F04](#)
[550S004NF1R1B1F02](#) [550S086M5R3J0L](#) [550S100NF3F0E](#)