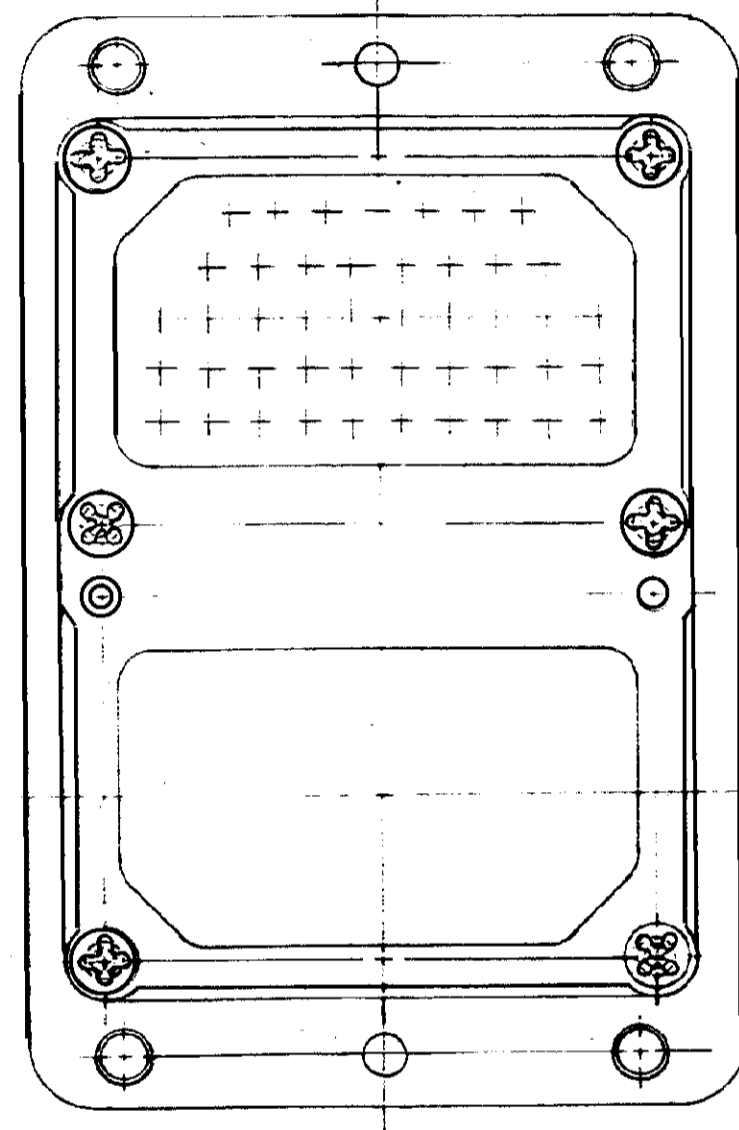
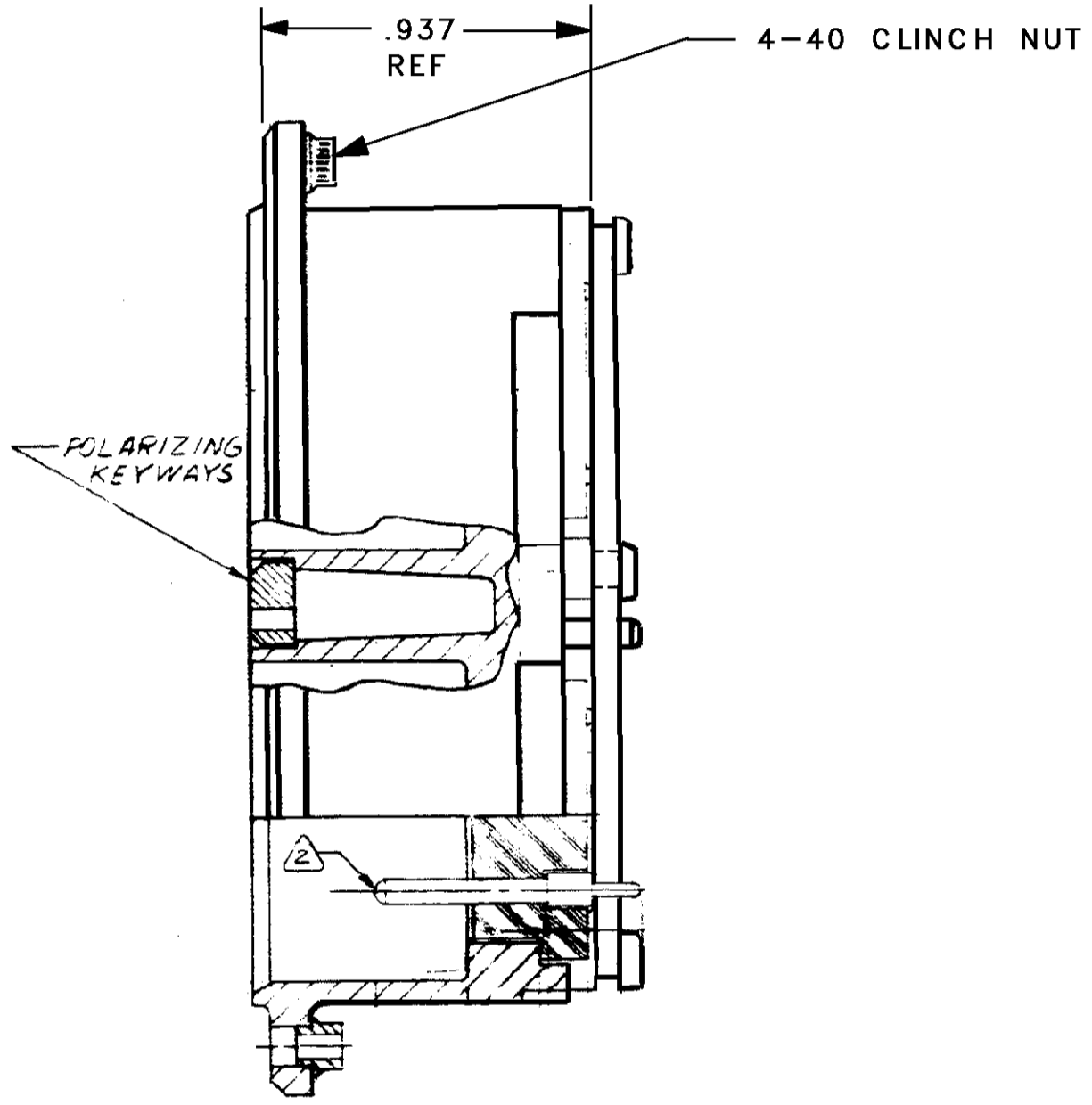
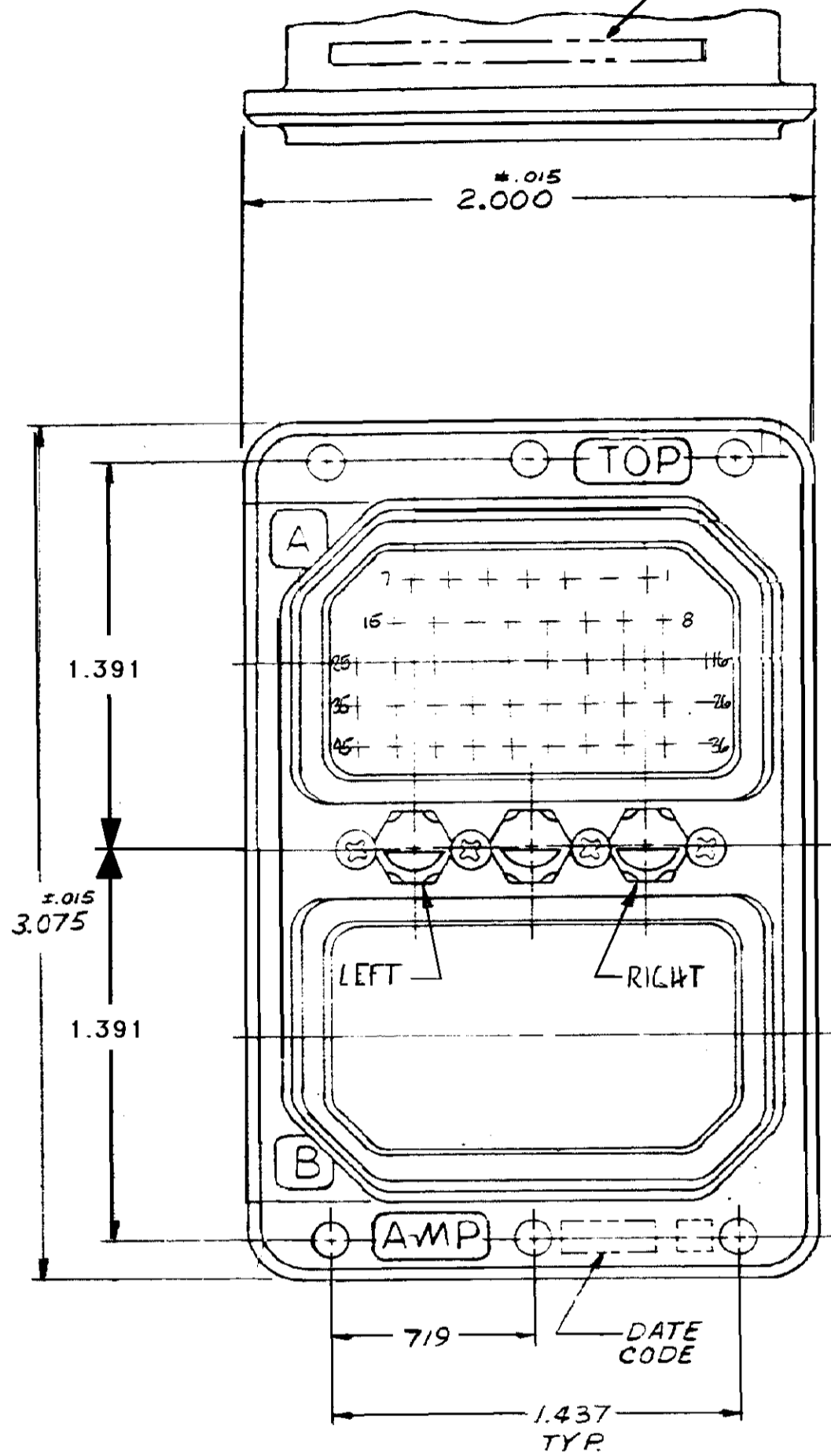


Unpublished copy not to be reproduced without written permission of AMP Incorporated

PART NUMBER	KEYING POSITION
204708-1	01
-2	02
-3	03
-4	04
-5	05
-6	06
-7	07
-8	08
-9	09
1-	01
1-	04

REVISION RECORD			
0	RELEASED WAS 5048-417	SAS	9-22-69
A	REV. PER ECN A-294 A-319	SAS	1-8-70
B	REV. PER ECN A-528	SAS	5/1/70
C	ADDED 1-1&1--4 ECN J-843	SAS	10/9/69
D	ECO-09-009005	PY	5-09 DE
E	ECO-10-003957	PY	3-10 DE

MARKING LOCATED HERE



NOTES:

CONTACTS ARE SHOWN IN POSITION FOR ILLUSTRATION ONLY. FOR SHIPMENT, CONTACTS ARE INSTALLED IN INSULATOR & PIN PROTECTOR COVER PLACED OVER CONTACTS ARE INCLUDED IN A CONTAINER WITHIN THE CONNECTOR PACKAGE.

MATERIAL & FINISH

SHELL: DIE CAST ALUMINUM ALLOY PER FED. SPEC. QQ-A-591, COMP. 10.
 FINISH: (-1 TO -9) BLACK ANODIZE
 FINISH: (1-1 & 1--4) CADMIUM PLATE, YELLOW CHROMATE CONVERSION
 SCREWS: STAINLESS STEEL, PASSIVATED
 WASHER: PHENOLIC
 INSULATORS HARD: EPOXY
 POLARIZING KEY INSERTS: STAINLESS STEEL, PASSIVATED

TOLERANCES .XXX .005 ANGLES 2 DEGREES	AMP INCORPORATED MILWAUKEE, WISCONSIN	
	INSTALLATION, ELECTRICAL CONNECTOR, RECEPTACLE RACK & PANEL AM 2R 45P 45P	
MATERIAL SEE CALLOUT	DATE	BY
	10-9-69	D. Ringley
	10-9-69	David F. Rundle
	10/9/69	
	REV	NUMBER
	C	00779
		204708
	REV	2-1
		SHEET
		REV E

CUSTOMER DRAWING

204708

X-ON Electronics

Largest Supplier of Electrical and Electronic Components

Click to view similar products for [Rack & Panel Connectors](#) category:

Click to view products by [TE Connectivity](#) manufacturer:

Other Similar products are found below :

[00170420102](#) [00171420202](#) [00171440002](#) [008026165000265](#) [00-8219-072-000-112P44](#) [008219072000112P5](#) [02-014-013-5200-000](#) [613467-000](#) [CTJ112E01E-513](#) [CTJ116E03A-513](#) [M81714/63-22S L/C](#) [M81714/65-12-1](#) [66020-2](#) [CW8958-000](#) [699886-000](#) [D250-50632](#)
[70.400.3240.0](#) [70.955.2453.3](#) [733753-000](#) [F22831-000](#) [780-522-DPX34RG8-02](#) [MMA25-0341D1](#) [8660-501](#) [87.060.0053.0](#) [900709N001](#)
[QRP4-12P-C\(01\)](#) [QR/P6-6S-C\(01\)](#) [AC-600003-004](#) [1218600-1](#) [D-659-0061](#) [DMC-MD 24 C-T](#) [1-445717-6](#) [1484398-2](#) [1484399-2](#) [1484469-2](#) [MR-34MG](#) [1484225-1](#) [1484398-1](#) [1604997-2](#) [1663130-1](#) [1663767-7](#) [1663767-8](#) [MTC100-BF1-P31CS015](#) [MTC100-KT2-0083](#) [MTC100-KT2-0123-003](#) [MTC100-YA1-005](#) [MTCB1X-105-XXX](#) [MTCPQKT1P2PGDC](#) [MTCPQKT1R2PGCA](#) [MTCR-103-04S](#)