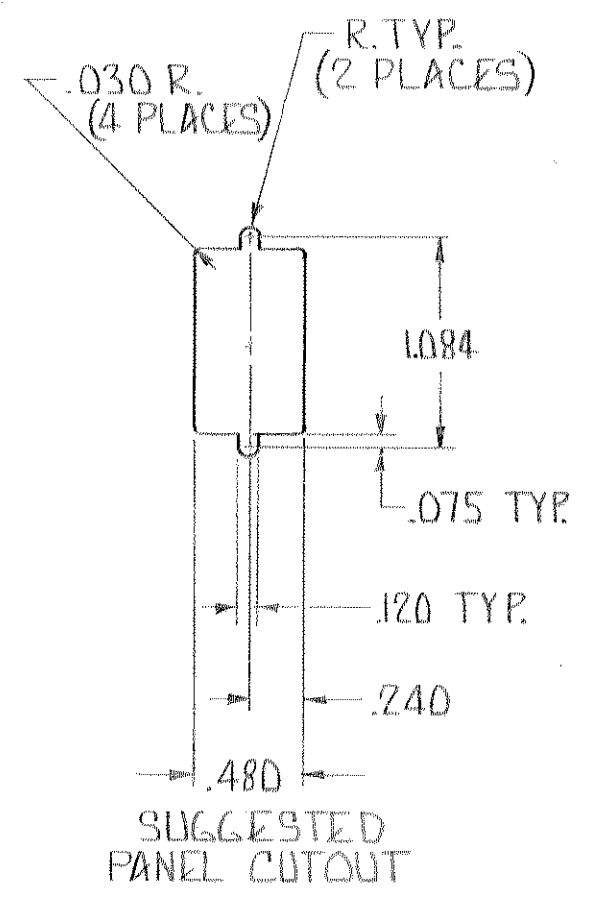
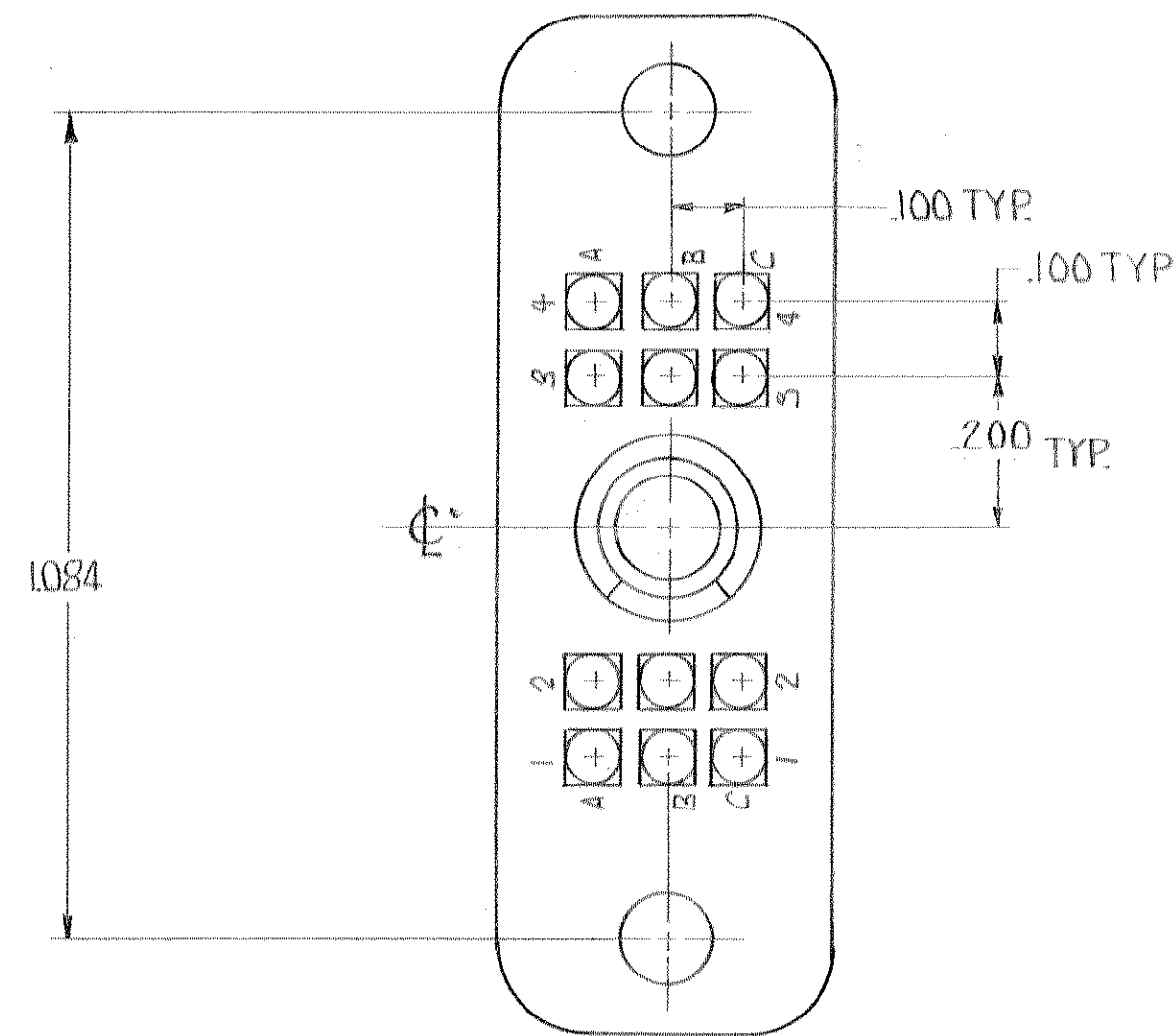
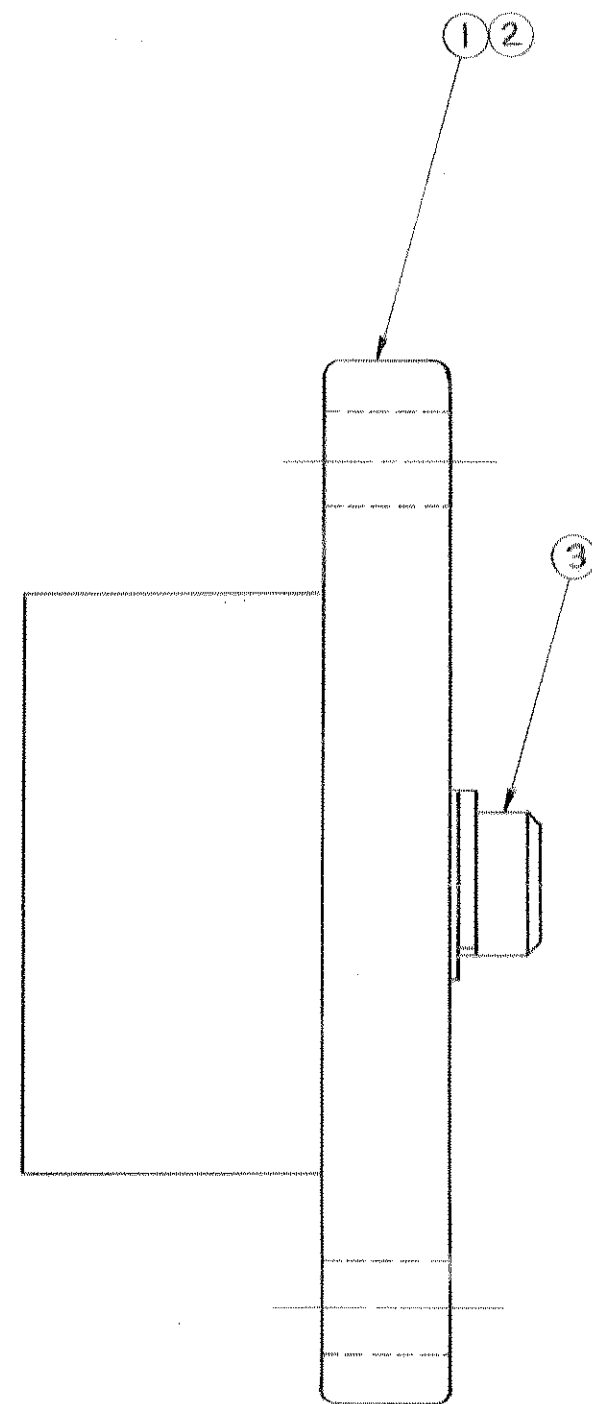


© 1969 BY AMP INCORPORATED. ALL RIGHTS RESERVED. AMP PRODUCTS COVERED BY PATENTS AND/OR PATENTS PENDING.

REVISIONS				
ZONE	LTR	DESCRIPTION	DATE	APPROVED
A		RELEASED AND REVISED PER ECN J-128	3/15/82	TCH SRD
B		REV PER 0630-276-01	CT	B-01 CT



1. CUSTOMER PART NO. MARKED ON OPPOSITE SIDE OF AMP

QTY	UNIT	DESCRIPTION	ITEM NO.
5		INK STAMP "AMP", ASSY. NO. AND DATE CODE	5
4		JACKSCREW ASSY. FIXED, FEMALE	4
3		BLOCK DIALYL PHTHALATE, BLUE	3
2		BLOCK PHENOLIC, BLACK	2
1			1

UNLESS OTHERWISE SPECIFIED DIMENSIONS ARE IN INCHES. TOLERANCES ON: DECIMALS ±.005 ANGLES ± #	CONTRACT NO.		AMP INCORPORATED HARRISBURG, PENNSYLVANIA	
	DR. H. Gaylow 10-15-69		NAME 12 POSITION "HDR" PLUG ASSY WITH FIXED FEMALE JACKSCREWS	
MATERIAL	CHK. R. Miller 11-6-69		SIZE C	
	APPD. K. Jones 11-7-69		CODE IDENT NO. 00779	
	REL. R. Jones 11-7-69		NUMBER 204727	
	DSGN/APPD.		SCALE	
	OTHER APPD.		SHEET 1 OF 1	

CUSTOMER DRAWING

X-ON Electronics

Largest Supplier of Electrical and Electronic Components

Click to view similar products for [Headers & Wire Housings](#) category:

Click to view products by [TE Connectivity](#) manufacturer:

Other Similar products are found below :

[892-18-020-10-001101](#) [58102-G61-06LF](#) [582553-1](#) [0009485154](#) [009176003701906](#) [0050291907](#) [LY20-4P-DT1-P1E-BR](#) [02.125.8002.8](#)
[609-3404](#) [61062-3](#) [61082-181009](#) [622-3653LF](#) [63453-116](#) [636-1030](#) [636-1427](#) [636-3427](#) [636-4007](#) [641938-9](#) [641991-4](#) [644827-2](#) [65817-010LF](#) [65817-015LF](#) [65863-015LF](#) [66207-023LF](#) [67095-007LF](#) [67601157](#) [68645-018](#) [68648-049](#) [70.362.1628.0](#) [70-4210](#) [70-4226B](#) [70-4853B](#) [707-5020](#) [707-5028](#) [71.350.2428.0](#) [71918-208LF](#) [71961-016LF](#) [733-134](#) [733-162](#) [754199-000](#) [760-3052](#) [787-8014-00](#) [79531-3000](#)
[FCN-360C032-B](#) [FCN-367T-T012/H](#) [FCN-723D010/2](#) [80.063.4001.1](#) [800-90-001-10-001000](#) [800-90-010-10-002000](#) [801-43-002-10-013000](#)