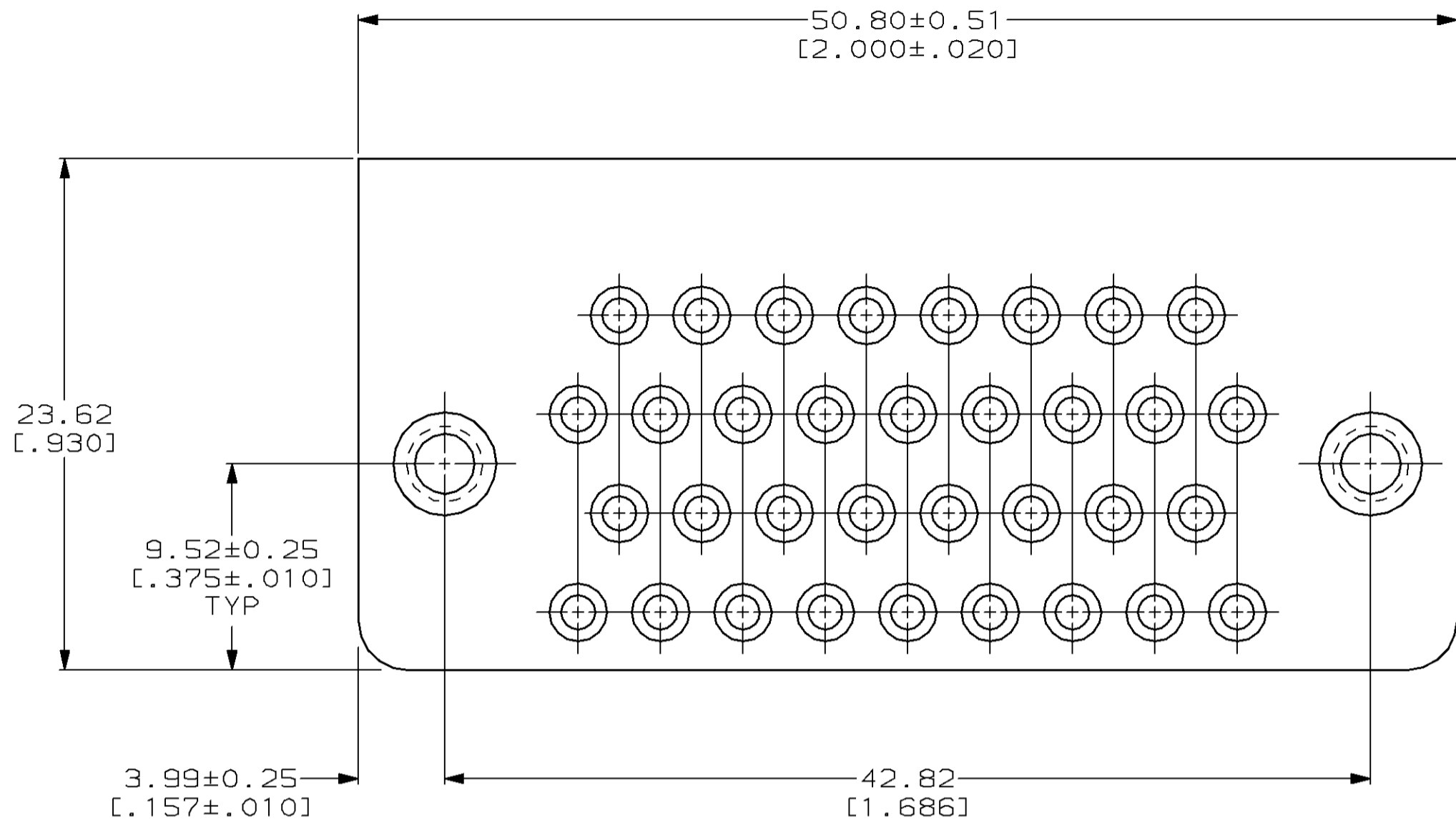
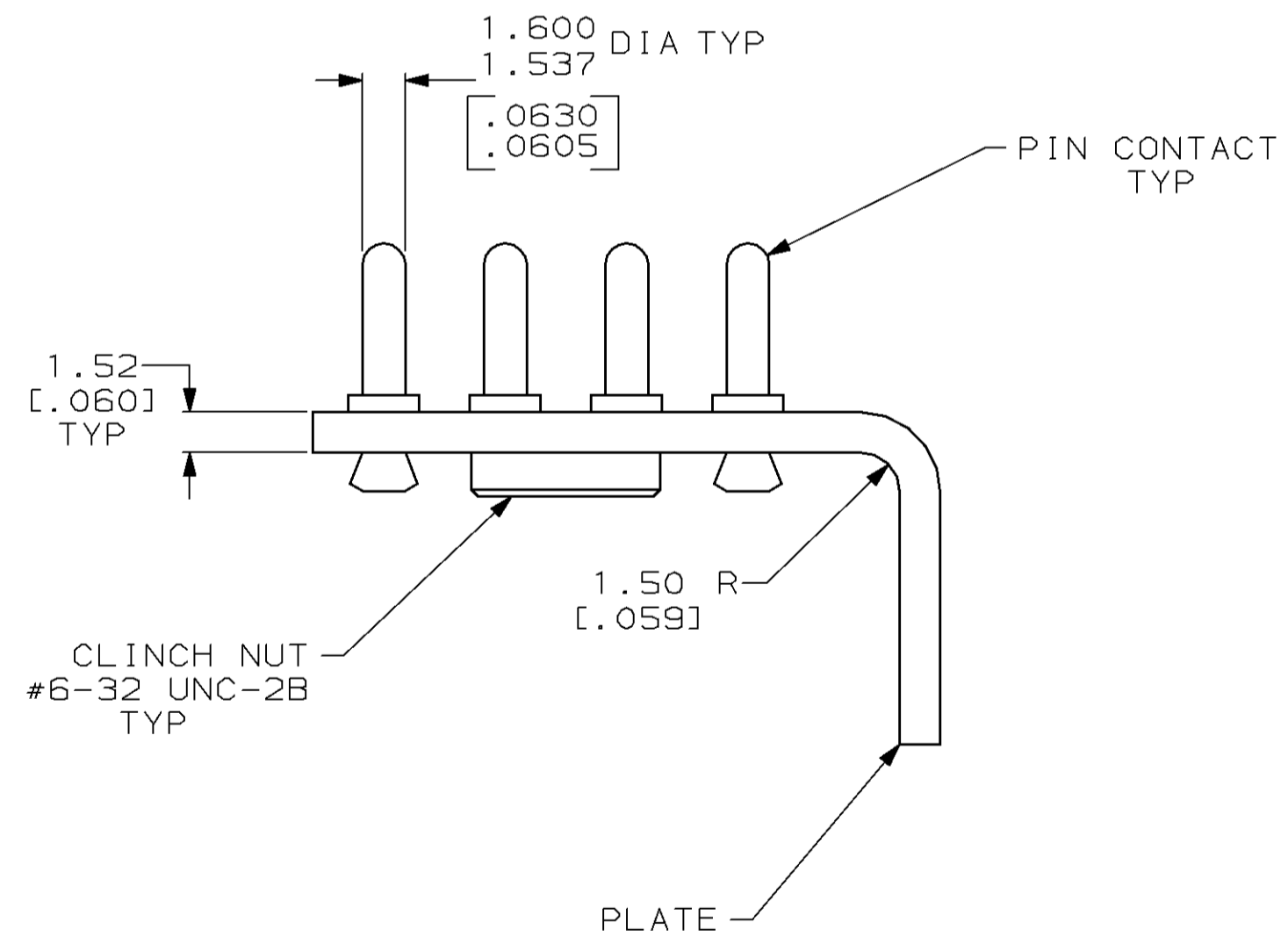
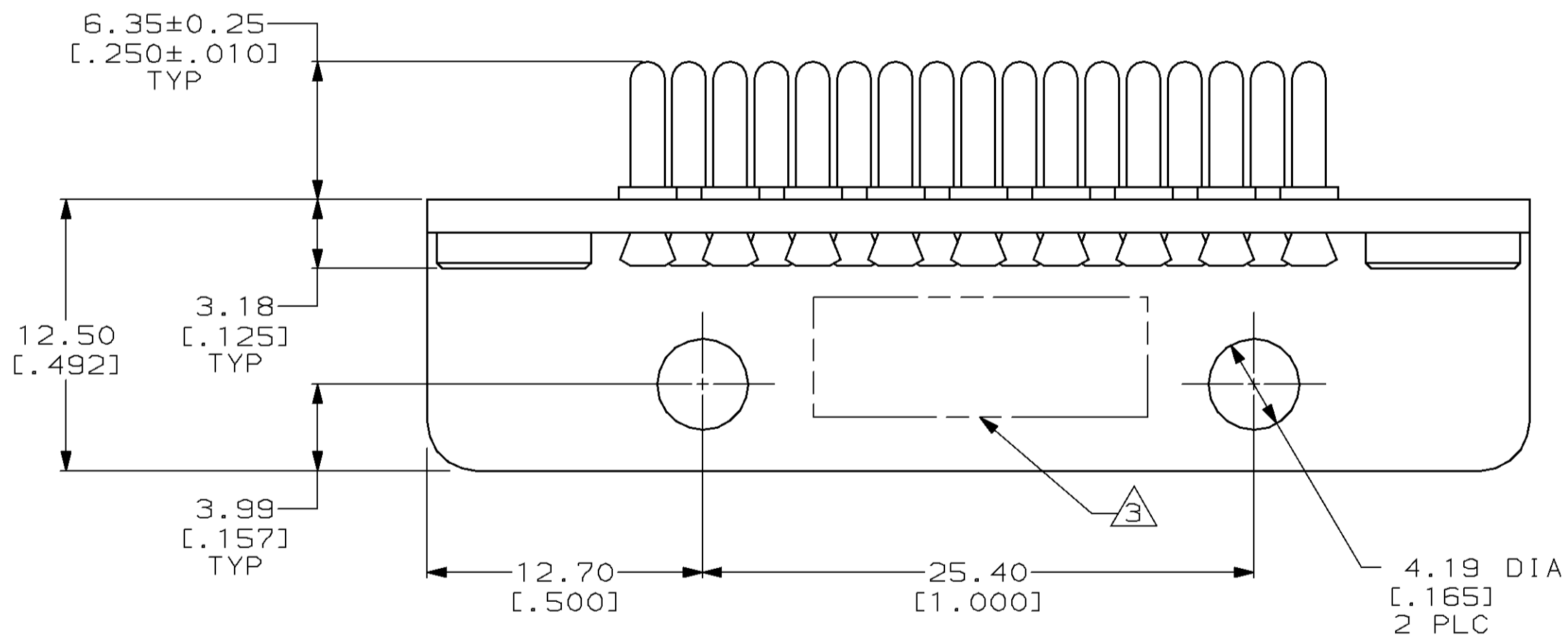


THIS DRAWING IS UNPUBLISHED. RELEASED FOR PUBLICATION
 © COPYRIGHT 19 BY AMP INCORPORATED. ALL RIGHTS RESERVED.

Loc		DIST		REVISIONS			
P	LTR	DESCRIPTION	DATE	DWN	APVD		
FT	8	B	REDRAWN W/O CHANGE PER EC 0020-292-96	06 AUG 96	-	-	



- ① PIN CONTACT: BRONZE
PLATE: BRASS
CLINCH NUT: STAINLESS STEEL
- ② PIN CONTACT: 0.76µm [.000030] MIN GOLD OVER
1.27µm [.000050] MIN NICKEL.
PLATE: 3.81µm [.000150] MIN TIN OVER
1.27µm [.000050] MIN NICKEL.
CLINCH NUT: PASSIVATED
- ③ AMP, PART NO & DATE CODE STAMPED IN THIS AREA ON OPPOSITE SIDE.



204814-1
PART NUMBER

THIS DRAWING IS A CONTROLLED DOCUMENT.		DWN B. CARBO 06 AUG 96	AMP AMP Incorporated Harrisburg, PA 17105-3608
DIMENSIONS: mm [INCHES]		CHK R. STONE 08 AUG 96	
TOLERANCES UNLESS OTHERWISE SPECIFIED:		APVD G. STEINHAUER 22 AUG 96	NAME GROUNDING CONNECTOR ASSEMBLY, 34 POSITION, M SERIES
0 PLC ±-		PRODUCT SPEC	
1 PLC ±-		APPLICATION SPEC	SIZE A2
2 PLC ±0.13 [.005]		WEIGHT	CAGE CODE 00779
3 PLC ±-		CUSTOMER DRAWING	DRAWING NO C-204814
4 PLC ±-			SCALE 4:1
ANGLES ±-			SHEET 1 OF 1
FINISH			REV B

X-ON Electronics

Largest Supplier of Electrical and Electronic Components

Click to view similar products for [Rack & Panel Connectors](#) category:

Click to view products by [TE Connectivity](#) manufacturer:

Other Similar products are found below :

[00171410002](#) [00171420202](#) [00171440002](#) [02-014-013-5200-000](#) [613467-000](#) [CTJ112E01E-513](#) [CTJ116E03A-513](#) [66020-2](#) [CW8958-000](#)
[699886-000](#) [D250-50632](#) [70.400.3240.0](#) [70.955.2453.3](#) [733753-000](#) [F22831-000](#) [780-522-DPX34RG8-02](#) [8660-501](#) [87.060.0053.0](#)
[900709N001](#) [928358-1](#) [D-659-0061](#) [1-445717-6](#) [1484469-2](#) [1604997-2](#) [MTC100-BF1-P31CS015](#) [MTC100-KT2-0083](#) [MTC100-KT2-0123-](#)
[003](#) [MTC100-YA1-005](#) [MTCQKT1R2PGCA](#) [MTCR-103-04S](#) [MTCX1X-100-100CS025](#) [1738331-1](#) [1757667-1](#) [1811481-1](#) [1883433-1](#)
[201046-7](#) [202648-4](#) [213364-1](#) [226503-000](#) [937028-164](#) [1663130-2](#) [172305-4](#) [AC-660022-701BP](#) [F36711-000](#) [202355-2](#) [202356-2](#) [G16S-A](#)
[G20S-AB](#) [CHA-0017-003](#) [CHA-0296](#)