

DRAWING MADE IN AMERICAN PROJECTION

© 1970 BY AMP INCORPORATED. ALL RIGHTS RESERVED. AMP PRODUCTS COVERED BY PATENTS AND/OR PATENTS PENDING.

Reproducing for publication without permission of Amp Incorporated is prohibited.

3

204938-2

- 1. SAME AS -1 EXCEPT:
- 2. PLATED GOLD PER MIL-G-45204 OVER NICKEL PER QQ-N-290

204938-3

- 1. AS SHOWN
- 1. SAME AS -3 EXCEPT
- 2. MOUNTED ON MYLAR TAPE

OBSOLETE

204938-4

- 1. SAME AS -3 EXCEPT:
- 2. GRAPHITE COATED.
- 3. NO COLOR BANDS.

OBSOLETE

- 1. SAME AS -3 EXCEPT:
- 2. COLOR CODE TO BE SINGLE GREEN BAND.

2

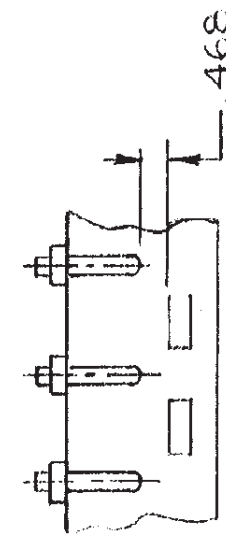
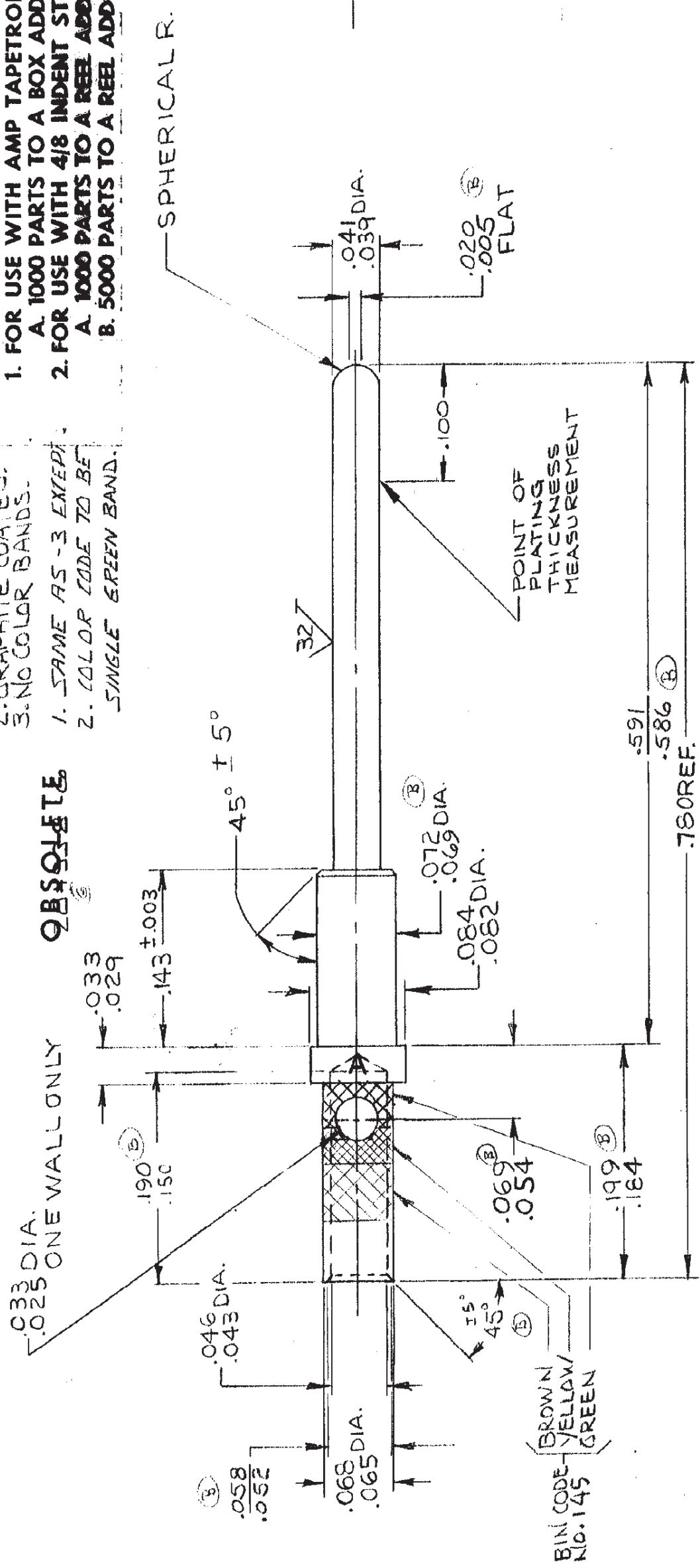
REVISIONS

ZONE	LTR	DESCRIPTION	DATE	APPROVED
F	REV./ECN G341		8-15-79	SAU
G	ADDED - 5 ECH G-737		2-2-80	AMM
H	REVISED PER ECN - 782		12-1-82	TLH DTS
J	OBSOLETE - 5 8-6 PER ECN R-2556		12-23-86	MPH EGT
K	ECO-14-012828		15SEP14	CT

WHEN ORDERING CONTACT ON TAPE, ORDER BY THE TAPE NUMBER PLUS THE PACKAGING CODE AS FOLLOWS:

- 1. FOR USE WITH AMP TAPETRONIC, PNEUMATIC TOOL - A. 1000 PARTS TO A BOX ADD PACKAGING CODE: IMBOX
- 2. FOR USE WITH 4/8 INDENT STRIPPER CRIMPER - A. 1000 PARTS TO A REEL ADD PACKAGING CODE: 1MREEL B. 5000 PARTS TO A REEL ADD PACKAGING CODE: 5MREEL

1



UNLESS OTHERWISE SPECIFIED DIMENSIONS ARE IN INCHES
TOLERANCES ON DECIMALS ± .005
ANGLES 2°

MATERIAL
LEADED COPPER
FINISH: GOLD
PER MIL-G-45204
OVER NICKEL
PER QQ-N-290

CONTRACT NO. 7-2070
DR. L. Morington
APPD. 9.24.70
APPD. 9.24.70
APPD. 9.24.70
DESIGN APPD. 9.24.70
OTHER APPD.

AMP AMP INCORPORATED
HARRISBURG, PENNSYLVANIA

NAME: SUB 20 CONTACT PIN
TYPE XVII - RM

SIZE: B CODE IDENT NO.: 00779 NUMBER: 204938

SCALE: 10-1 SHEET: 1 OF 1

3

2

CUSTOMER DRAWING

4

AMP 1470-1 REV (7/68)

X-ON Electronics

Largest Supplier of Electrical and Electronic Components

Click to view similar products for [Terminals](#) category:

Click to view products by [TE Connectivity](#) manufacturer:

Other Similar products are found below :

[00-054007-01074-6](#) [00-054007-70206-1](#) [00-054007-70210-8](#) [00-054007-70217-7](#) [00-054007-70226-9](#) [00-054007-70228-3](#) [00-054007-70248-1](#) [00-054007-70256-6](#) [00-054007-70301-3](#) [00-054007-70316-7](#) [00-054007-49560-4](#) [00-054007-70209-2](#) [00-054007-70225-2](#) [00-054007-70227-6](#) [00-054007-70231-3](#) [00-054007-70241-2](#) [00-054007-70242-9](#) [00-054007-70244-3](#) [00-054007-70246-7](#) [00-054007-70263-4](#) [00-054007-70288-7](#) [00-054007-70290-0](#) [00-054007-70300-6](#) [00-054007-70304-4](#) [01-2065-1-0216](#) [01-2900-1-04412](#) [00581P0075](#) [600TS-10](#) [60205-1](#) [604200-1](#) [605601-1](#) [60598-1-CUT-TAPE](#) [61314-6-C](#) [61810-3](#) [61-S](#) [61-SN](#) [626-0194](#) [62-NBM-A](#) [62-SN](#) [62-SP](#) [63-S](#) [640179-1](#) [M55155/059I03](#) [M55155/079C01](#) [M55155/099H02](#) [M55155/109H01](#) [M55155/109H02](#) [M55155/12XH05](#) [M55155/16XH02](#) [M55155/29-5S](#)