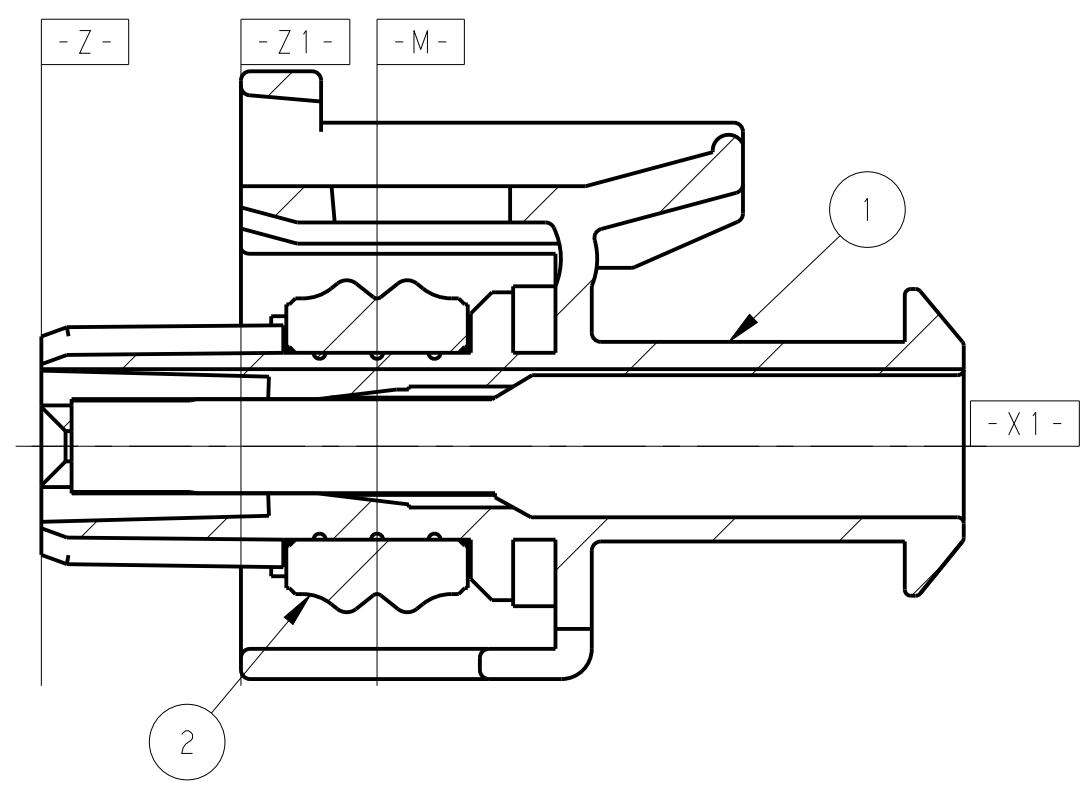
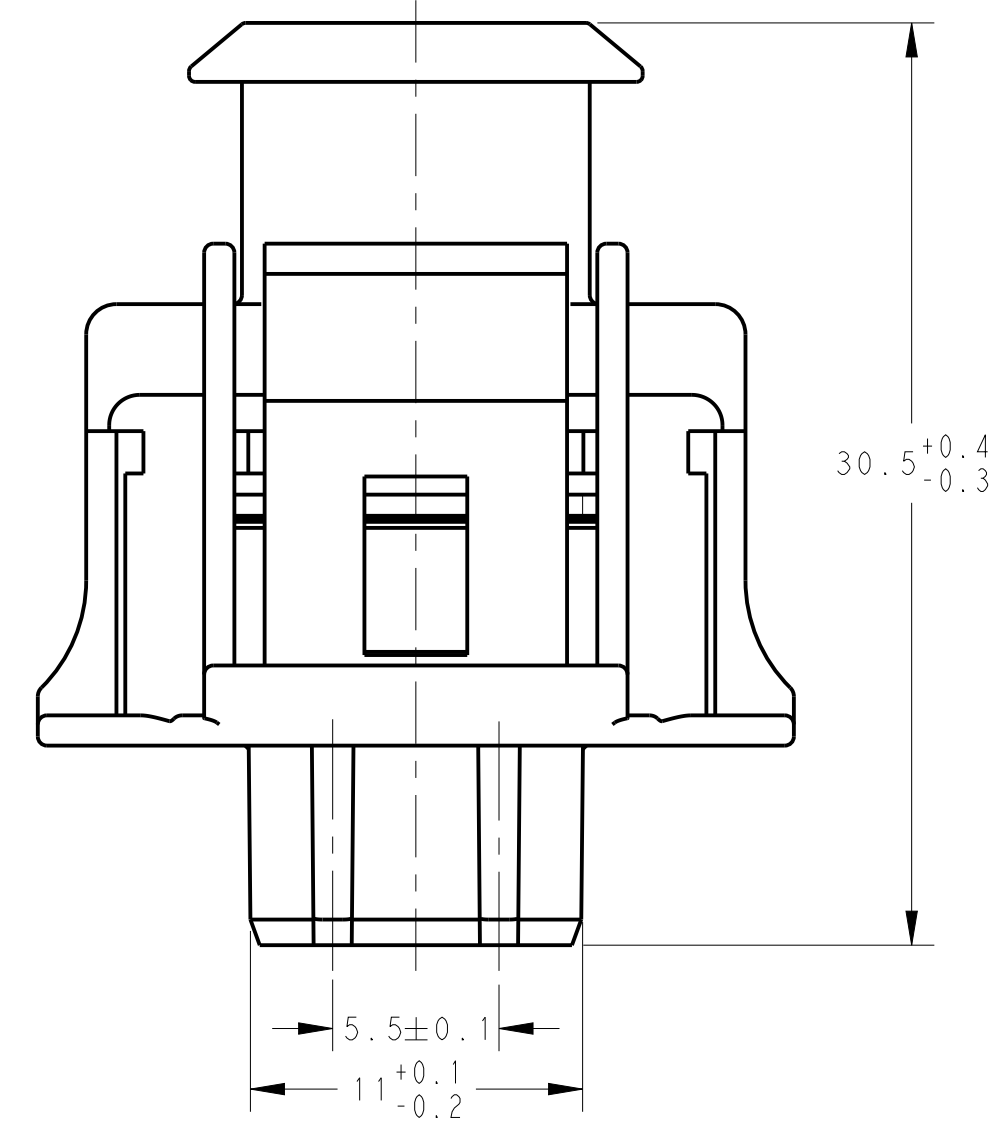
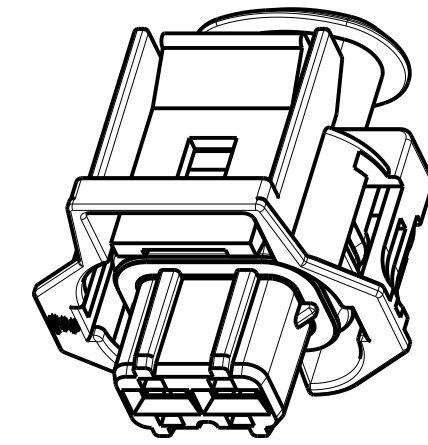


THIS DRAWING IS UNPUBLISHED. RELEASED FOR PUBLICATION 20  
 © COPYRIGHT 20 BY - ALL RIGHTS RESERVED.

REVISIONS					
P	LTR	DESCRIPTION	DATE	DWN	APVD
A		RELEASED	16MAR09	NZ	KD
A1		ECR-20-006758	11MAY20	S.C	I.Y
A2		ECR-21-004733	28MAY21	K.Z	J.Z



SECTION A - A  
SCALE 4:1

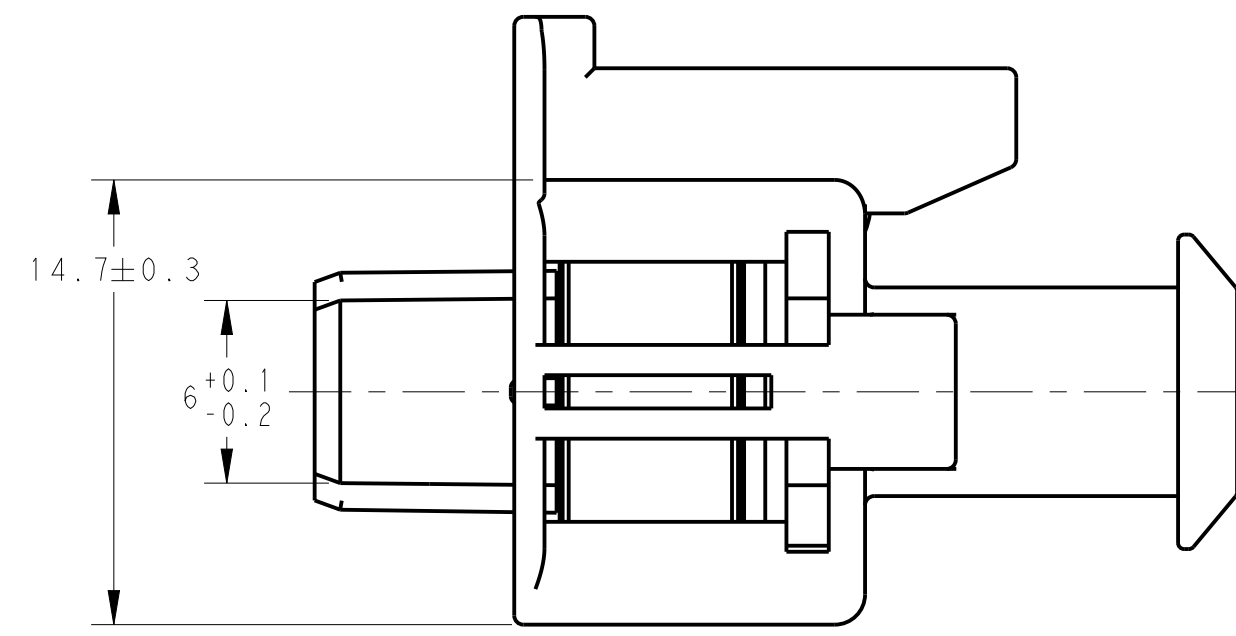
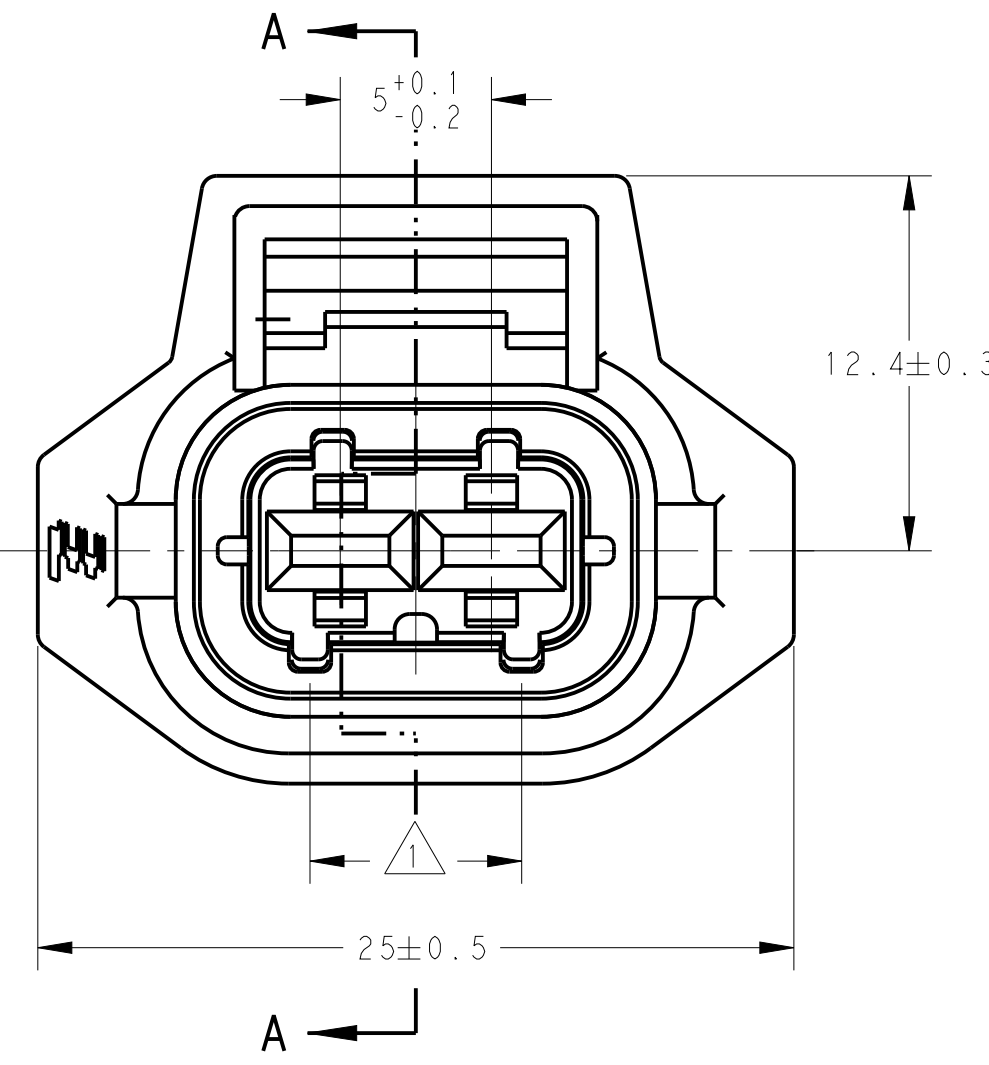
NOTE:  
 1. CODING IS AS FOLLOWS, SEE TABLE 1.

2. APPLIED RECEPTACLE CONTACT P/N:

DESCRIPTION	2.8mm SENSOR-FLAT RECEPTACLE OR EQUIVALENT	
PART NO.	967542 OR EQU.	967543 OR EQU.
WIRE SIZE	0.5~1.0	>1.0~2.5

3. APPLIED WIRE SEAL P/N:

DESCRIPTION	SINGLE-WIRE SEAL (5mm HOLE)	
PART NO.	828904	828905
INSULATION DIA.(∅)	1.2~2.1mm	2.2~3.0mm



(TABLE 1)

CODE 1	2050046-1/3	CODE 2	2050046-2/4

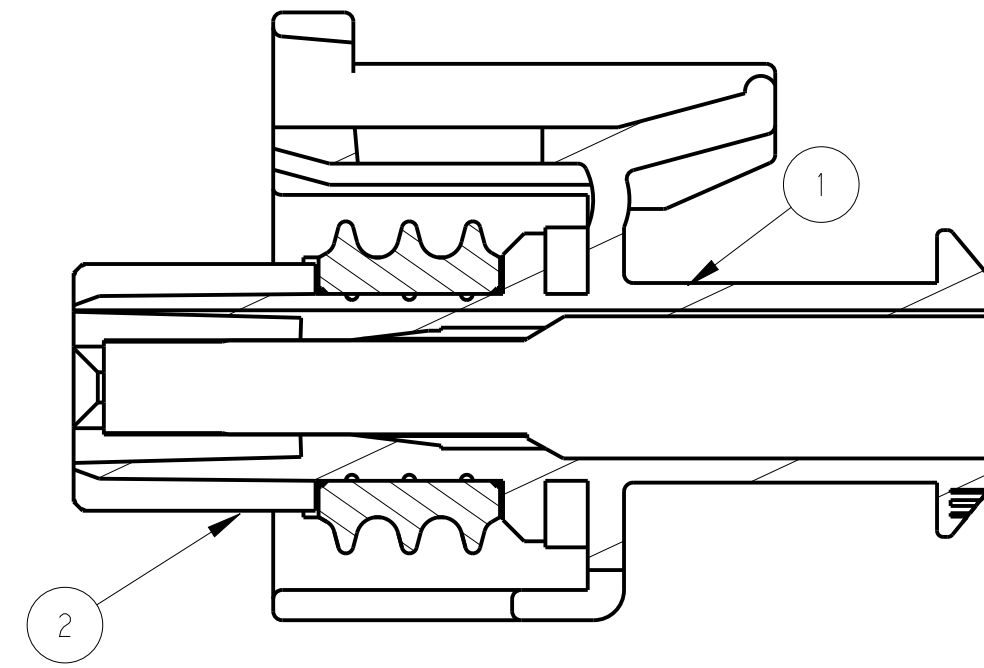
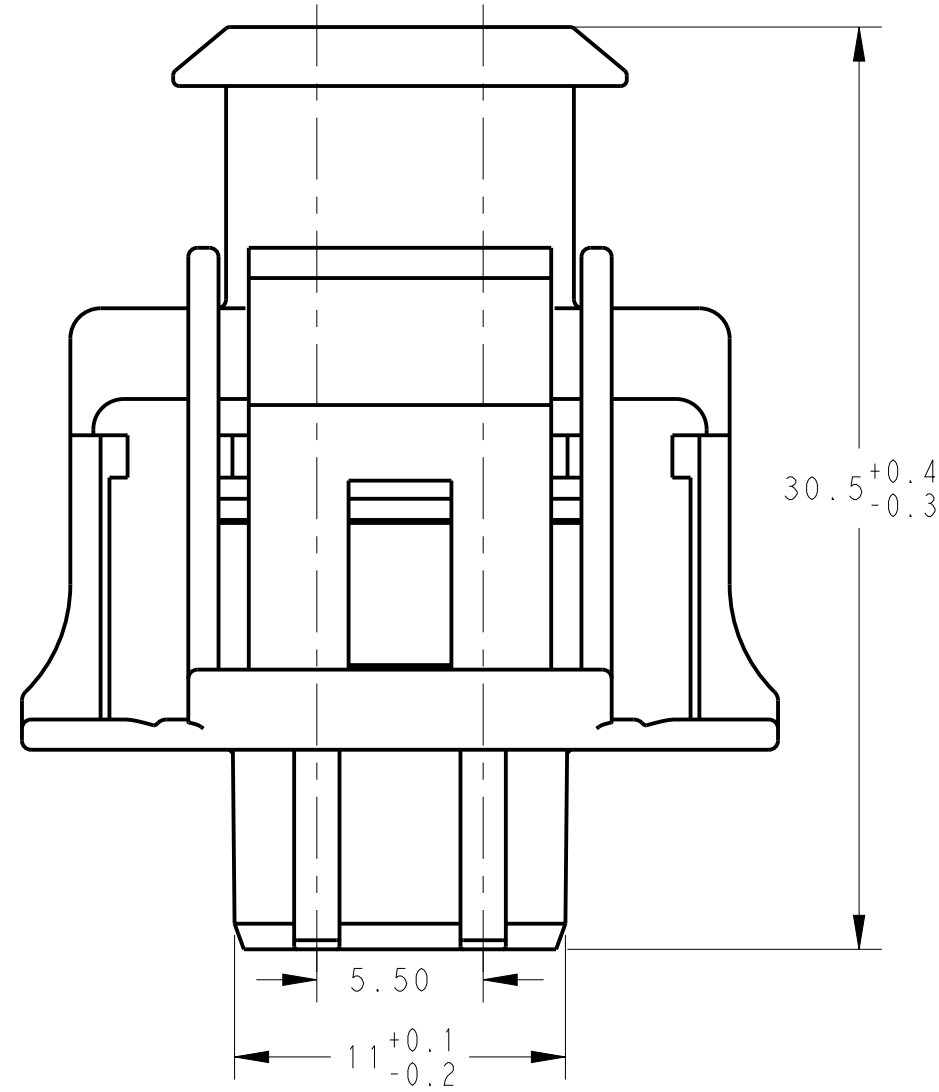
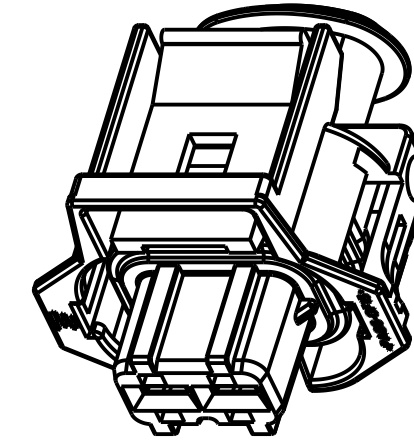
1	1	1	1	PC	ORANGE	SILICON	INNER SEAL	2
1				PC	WHITE	PA66 GF15	PLUG (CODE 2)	1
	1			PC	BROWN	PA66 GF15	PLUG (CODE 1)	1
		1		PC	BLACK	PA66 GF15	PLUG (CODE 2)	1
			1	PC	BLACK	PA66 GF15	PLUG (CODE 1)	1
-4	-3	-2	-1	U/M	COLOR	MATERIAL	DESCRIPTION	ITEM

THIS DRAWING IS A CONTROLLED DOCUMENT.

DIMENSIONS:	TOLERANCES UNLESS OTHERWISE SPECIFIED:	DWN	27AUG18		TE Connectivity		
mm	0 PLC ±0.30	CHK	27AUG18				
	1 PLC ±0.30	APVD	27AUG18				
	2 PLC ±	PRODUCT SPEC	108-101133-1 (A1)				
	3 PLC ±	APPLICATION SPEC		NAME 2.8mm SEALED 2P PLUG ASSEMBLY			
	4 PLC ±			SIZE	CAGE CODE	DRAWING NO	RESTRICTED TO
MATERIAL	ANGLES ±3°	WEIGHT		A2	00779	C-2050046	
	FINISH	CUSTOMER DRAWING		SCALE	1:1	SHEET	1 OF 2

THIS DRAWING IS UNPUBLISHED. RELEASED FOR PUBLICATION 20  
 © COPYRIGHT 20 BY - ALL RIGHTS RESERVED.

REVISIONS				
P	LTR	DESCRIPTION	DATE	APVD
		SEE SHEET 1		



SECTION: A-A  
SCALE: 4:1

NOTE:

1. CODING IS AS FOLLOWS, SEE TABLE 1.

2. APPLIED RECEPTACLE CONTACT P/N:

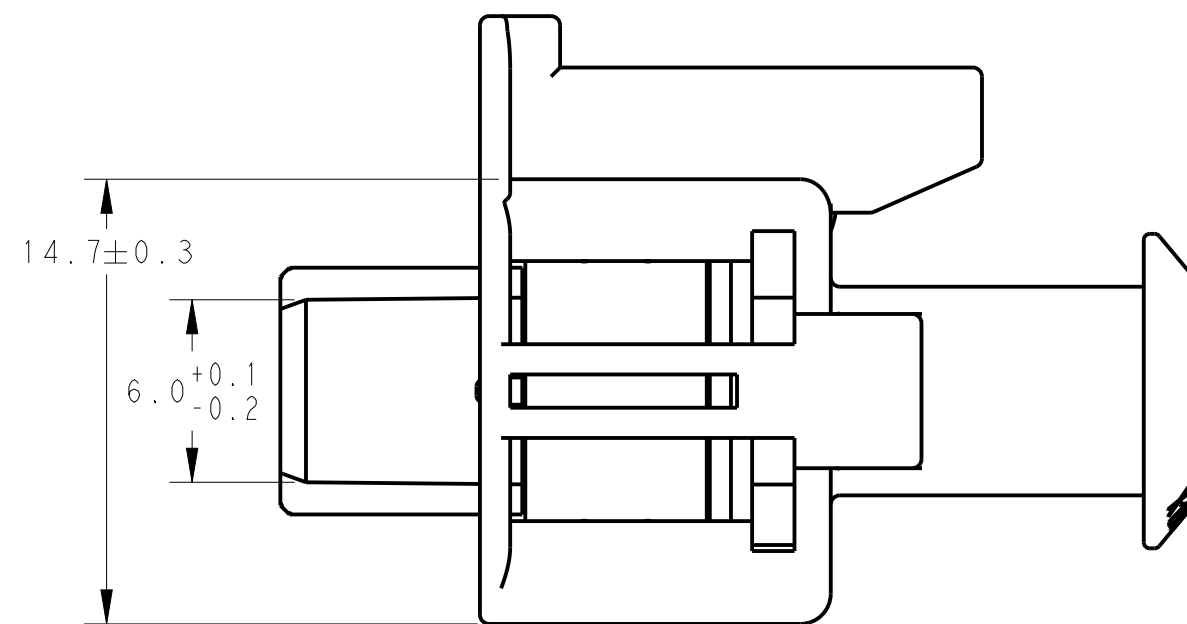
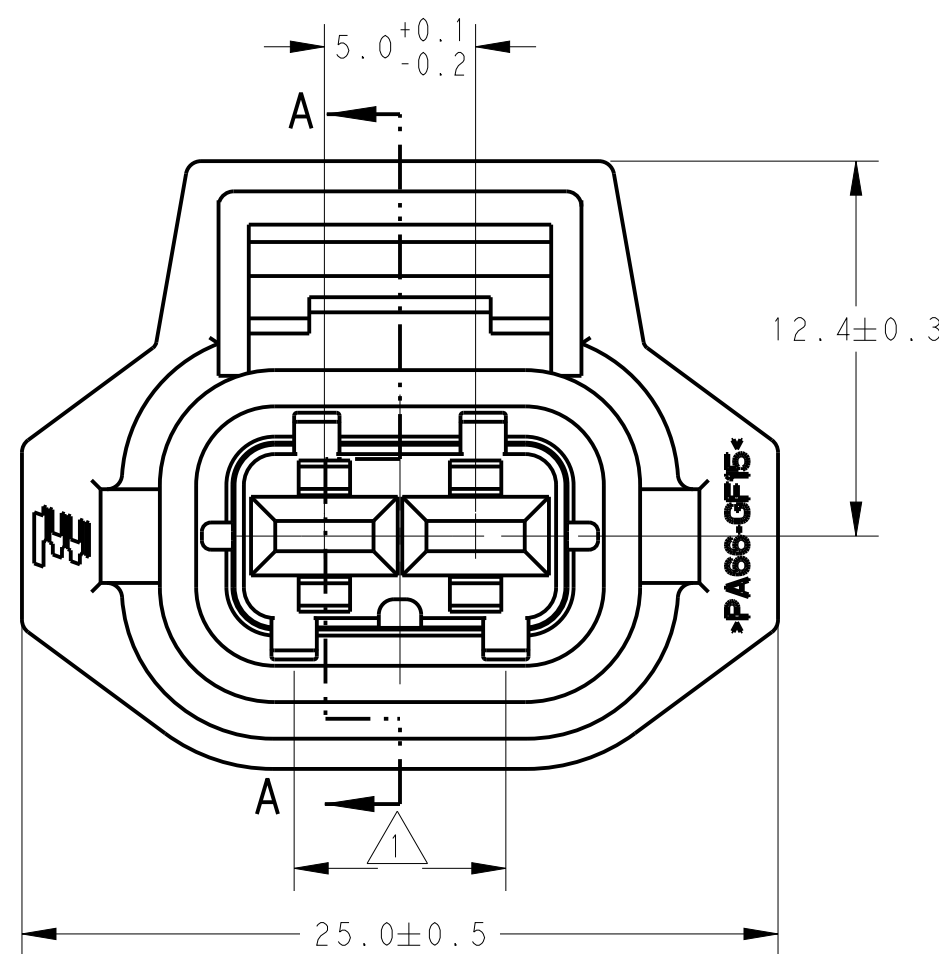
DESCRIPTION	2.8mm SENSOR-FLAT RECEPTACLE OR EQUIVALENT	
PART NO.	967542 OR EQU.	967543 OR EQU.
WIRE SIZE	0.5~1.0	>1.0~2.5

3. APPLIED WIRE SEAL P/N:

DESCRIPTION	SINGLE-WIRE SEAL (5mm HOLE)	
PART NO.	828904	828905
INSULATION DIA. (∅)	1.2~2.1mm	2.2~3.0mm

(TABLE 1)

CODE 1	1-2050046-1/3	CODE 2	1-2050046-2/4



1	1	1	1	PC	ORANGE	SILICON	INNER SEAL	2	
1				PC	WHITE	PA66 GF15	PLUG (CODE 2)	1	
	1			PC	BROWN	PA66 GF15	PLUG (CODE 1)	1	
		1		PC	BLACK	PA66 GF15	PLUG (CODE 2)	1	
			1	PC	BLACK	PA66 GF15	PLUG (CODE 1)	1	
1-2050046-4				1-2050046-3				1-2050046-2	
1-2050046-1				U/M				COLOR	MATERIAL
				DESCRIPTION				ITEM	

THIS DRAWING IS A CONTROLLED DOCUMENT.

DWN	K. ZHOU	28MAY21
CHK	T. DONG	28MAY21
APVD	J. ZONG	28MAY21
PRODUCT SPEC	108-101133-1	
APPLICATION SPEC	-	
WEIGHT	-	

**STE** TE Connectivity

NAME: 2.8mm SEALED 2P PLUG ASSEMBLY

SIZE: A2 CAGE CODE: 00779 DRAWING NO: C-2050046 RESTRICTED TO: A2

SCALE: 1:1 SHEET: 2 OF 2 REV: A2

## **X-ON Electronics**

Largest Supplier of Electrical and Electronic Components

*Click to view similar products for [Automotive Connectors](#) category:*

*Click to view products by [TE Connectivity](#) manufacturer:*

Other Similar products are found below :

[003-018-000](#) [60993906-B](#) [M902-2131](#) [M902-2161](#) [M902-2344](#) [72.330.1035.1](#) [73.353.4028.0](#) [F166900](#) [F358300-B](#) [F407400](#) [776880-1](#)  
[827153-1](#) [8N1515-32-24P](#) [9-1326729-8](#) [925474-1](#) [928905-1](#) [964562-4](#) [968782-1](#) [98891-1012](#) [12004475-L](#) [12020308](#) [12041318-B](#)  
[12052466](#) [12059716](#) [12064869](#) [12015909](#) [1-21030-1](#) [12041254](#) [12041318](#) [12047946-B](#) [12110546-B](#) [12131792](#) [12084688](#) [12092346](#)  
[HD34-18-14PT](#) [HD46-24-23SN-059](#) [HDB36-24-16PN-059](#) [HDP26-24-9SE-L015](#) [12185280](#) [12185550](#) [12336-12](#) [12191172-B](#) [12S](#)  
[13545280](#) [13577943](#) [13681974](#) [13737722-B](#) [13830674](#) [13832576](#) [13849772](#)