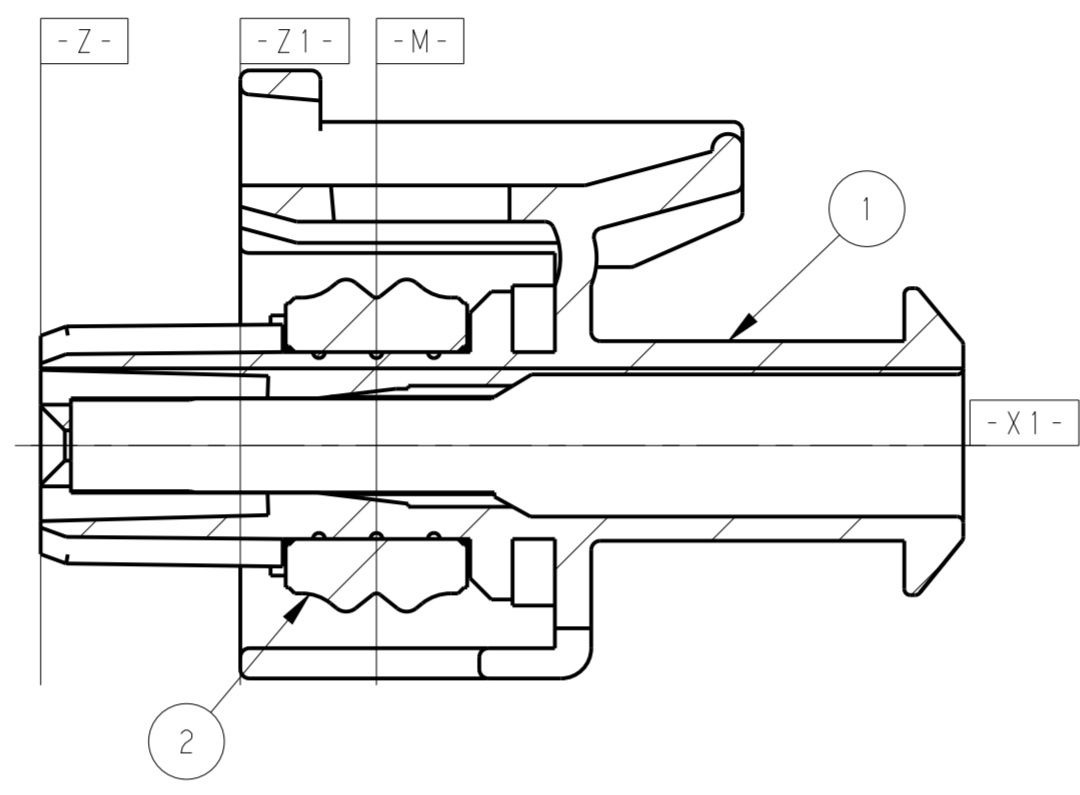
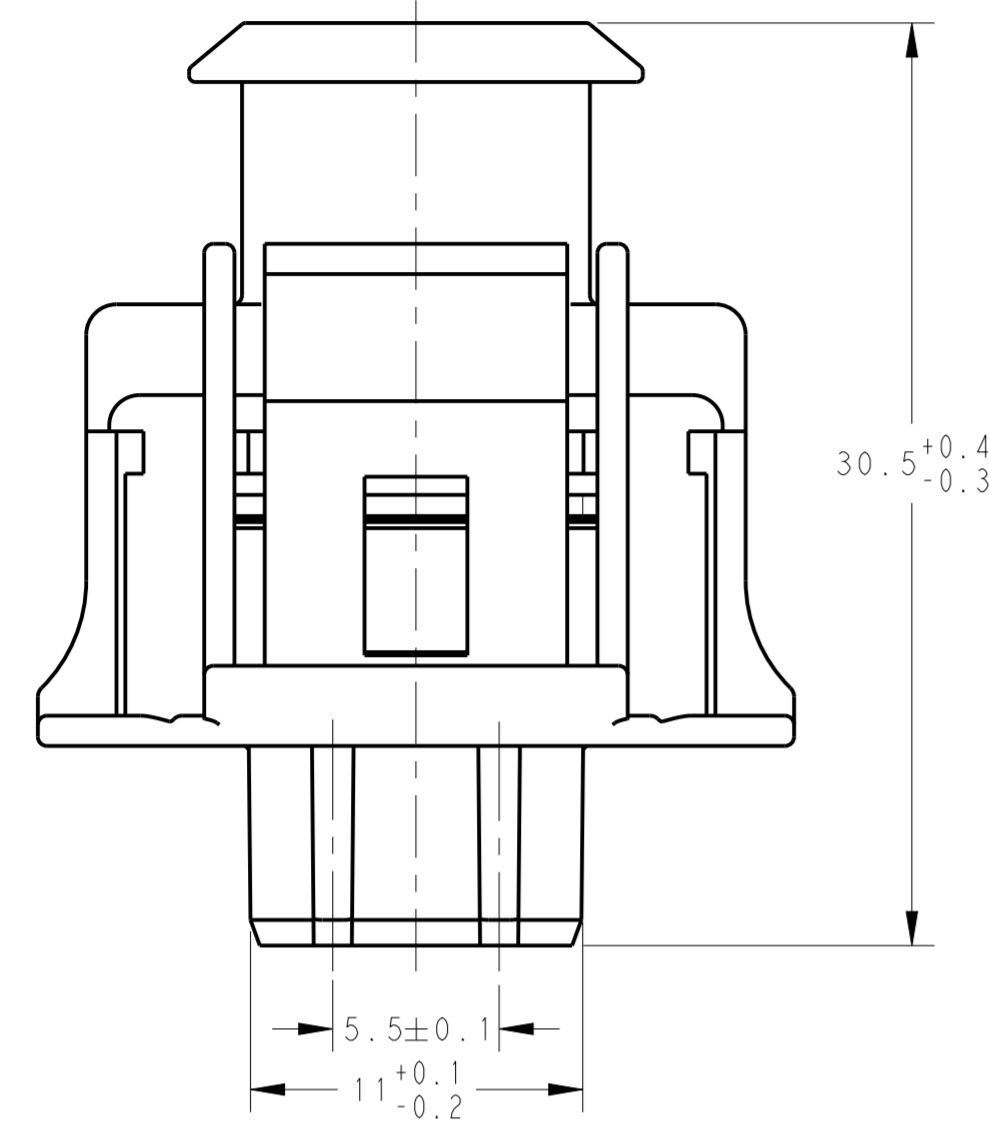
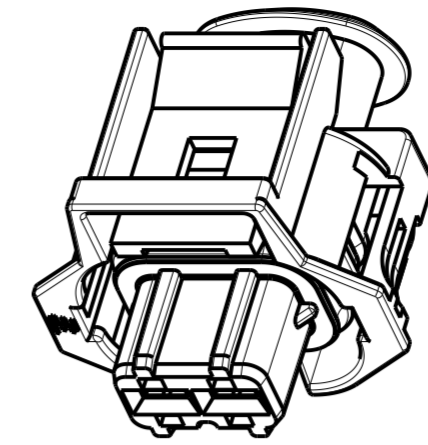


THIS DRAWING IS UNPUBLISHED. RELEASED FOR PUBLICATION 20  
 © COPYRIGHT 20 BY - ALL RIGHTS RESERVED.

REVISIONS					
P	LTR	DESCRIPTION	DATE	DWN	APVD
A		RELEASED	16MAR09	NZ	KD
A1		ECR-20-006758	11MAY20	S.C	I.Y
A2		ECR-21-004733	28MAY21	K.Z	J.Z



SECTION A - A  
SCALE 4:1

NOTE:

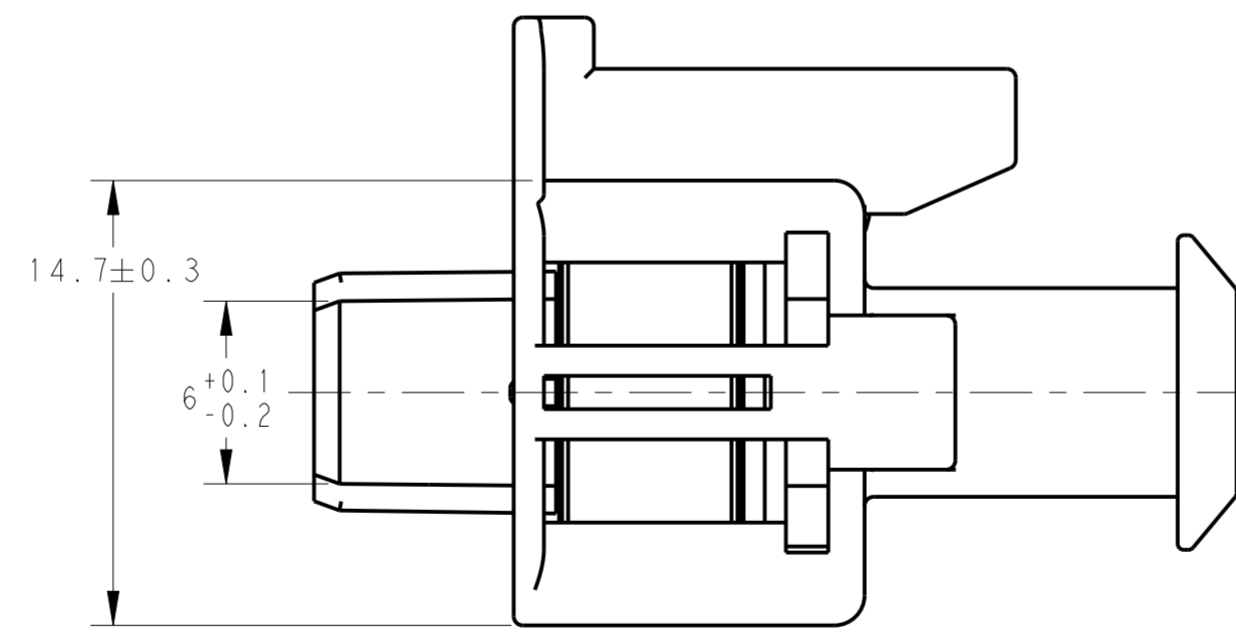
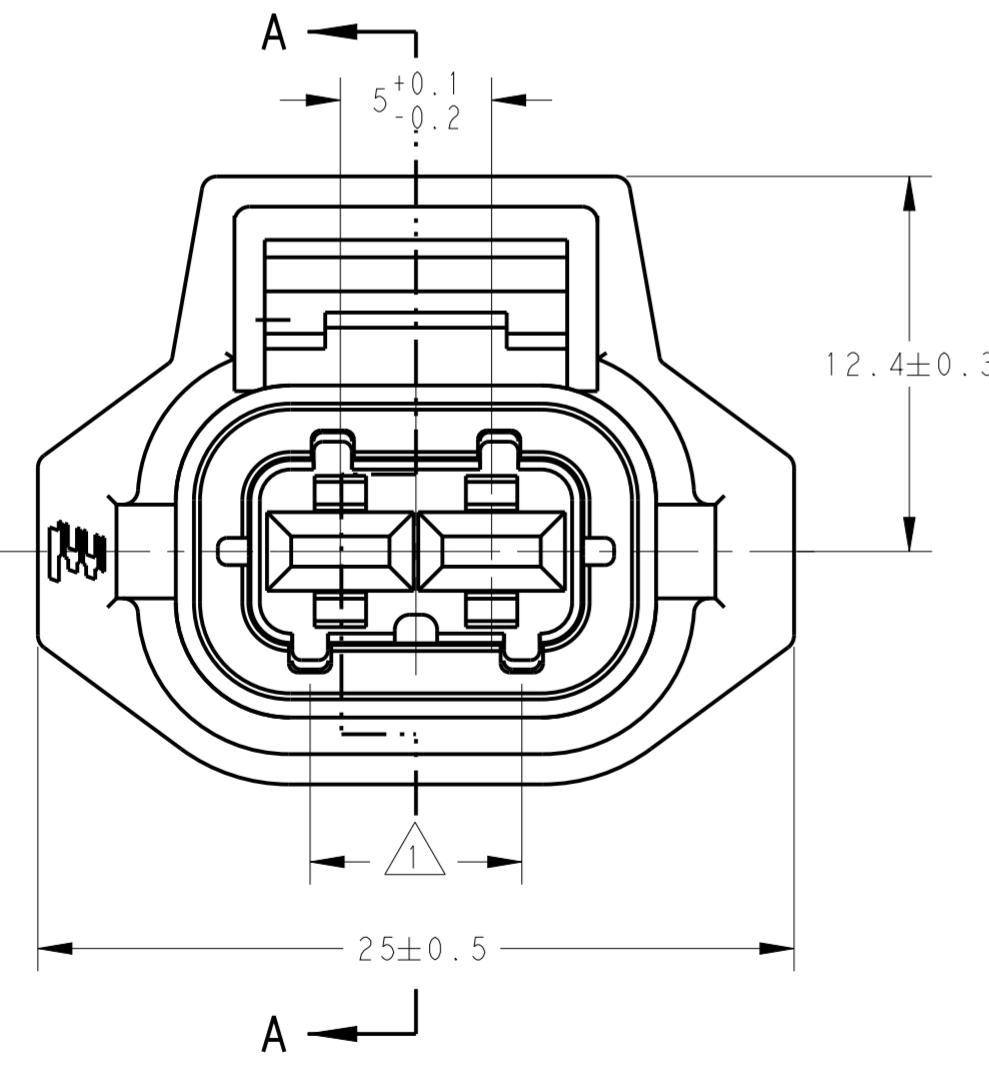
1. CODING IS AS FOLLOWS, SEE TABLE 1.

2. APPLIED RECEPTACLE CONTACT P/N:

DESCRIPTION	2.8mm SENSOR-FLAT RECEPTACLE OR EQUIVALENT	
PART NO.	967542 OR EQU.	967543 OR EQU.
WIRE SIZE	0.5~1.0	>1.0~2.5

3. APPLIED WIRE SEAL P/N:

DESCRIPTION	SINGLE-WIRE SEAL (5mm HOLE)	
PART NO.	828904	828905
INSULATION DIA.(∅)	1.2~2.1mm	2.2~3.0mm



(TABLE 1)

CODE 1	2050046-1/3	CODE 2	2050046-2/4

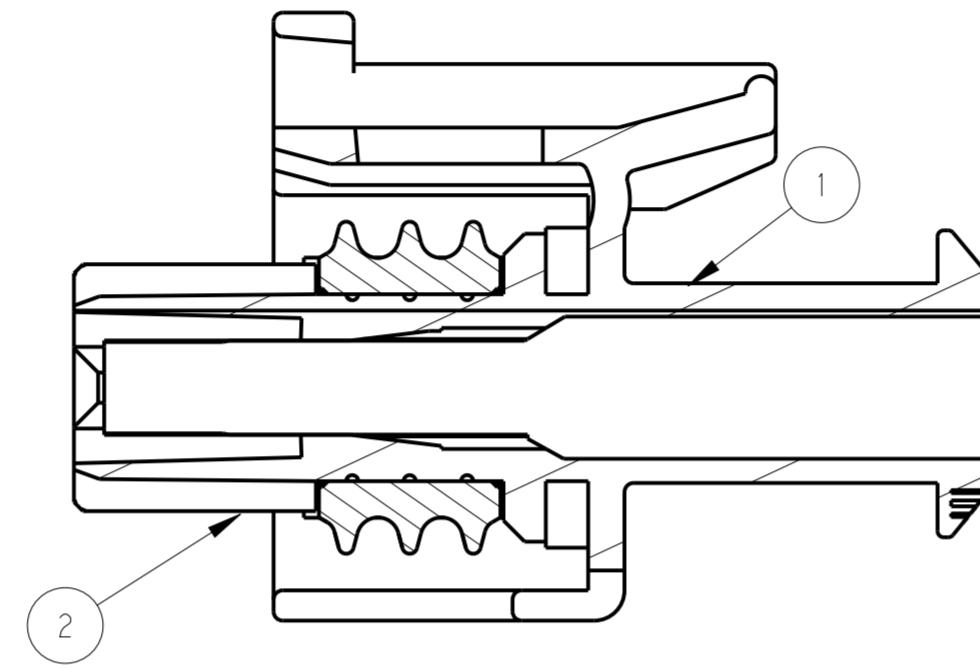
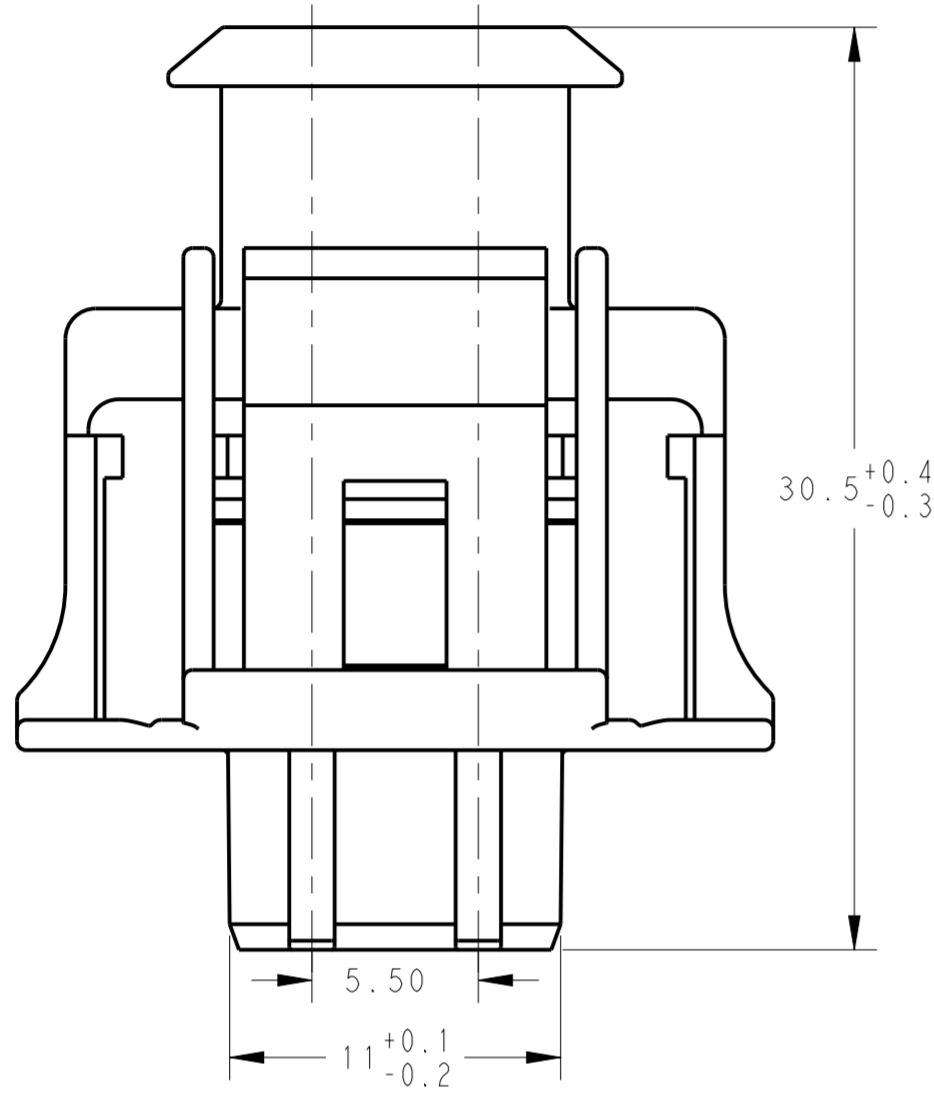
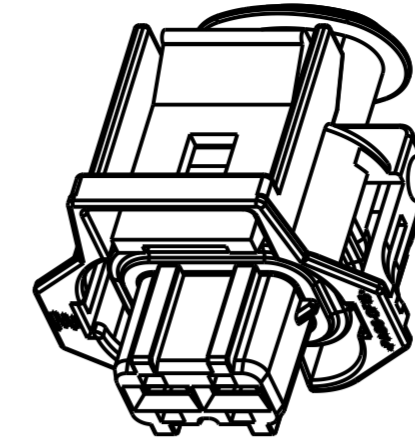
1	1	1	1	PC	ORANGE	SILICON	INNER SEAL	2
1				PC	WHITE	PA66 GF15	PLUG (CODE 2)	1
	1			PC	BROWN	PA66 GF15	PLUG (CODE 1)	1
		1		PC	BLACK	PA66 GF15	PLUG (CODE 2)	1
			1	PC	BLACK	PA66 GF15	PLUG (CODE 1)	1
-4	-3	-2	-1	U/M	COLOR	MATERIAL	DESCRIPTION	ITEM

THIS DRAWING IS A CONTROLLED DOCUMENT.

DIMENSIONS:	TOLERANCES UNLESS OTHERWISE SPECIFIED:	DWN	Q. HAN	27AUG18	 TE Connectivity			
mm	0 PLC ±0.30	CHK	G. ZHU	27AUG18				
	1 PLC ±0.30	APVD	F. JIANG	27AUG18				
	2 PLC ±	PRODUCT SPEC	108-101133-1 (A1)					
	3 PLC ±	APPLICATION SPEC			NAME	2.8mm SEALED 2P PLUG ASSEMBLY		
	4 PLC ±				SIZE	CAGE CODE	DRAWING NO	RESTRICTED TO
MATERIAL	ANGLES ±3°	WEIGHT			A2	00779	C-2050046	
	FINISH	CUSTOMER DRAWING			SCALE	1:1	SHEET	1 OF 2

THIS DRAWING IS UNPUBLISHED. RELEASED FOR PUBLICATION 20  
 © COPYRIGHT 20 BY - ALL RIGHTS RESERVED.

REVISIONS				
P	LTR	DESCRIPTION	DATE	APVD
		SEE SHEET 1		



SECTION: A-A  
SCALE: 4:1

NOTE:

1. CODING IS AS FOLLOWS, SEE TABLE 1.

2. APPLIED RECEPTACLE CONTACT P/N:

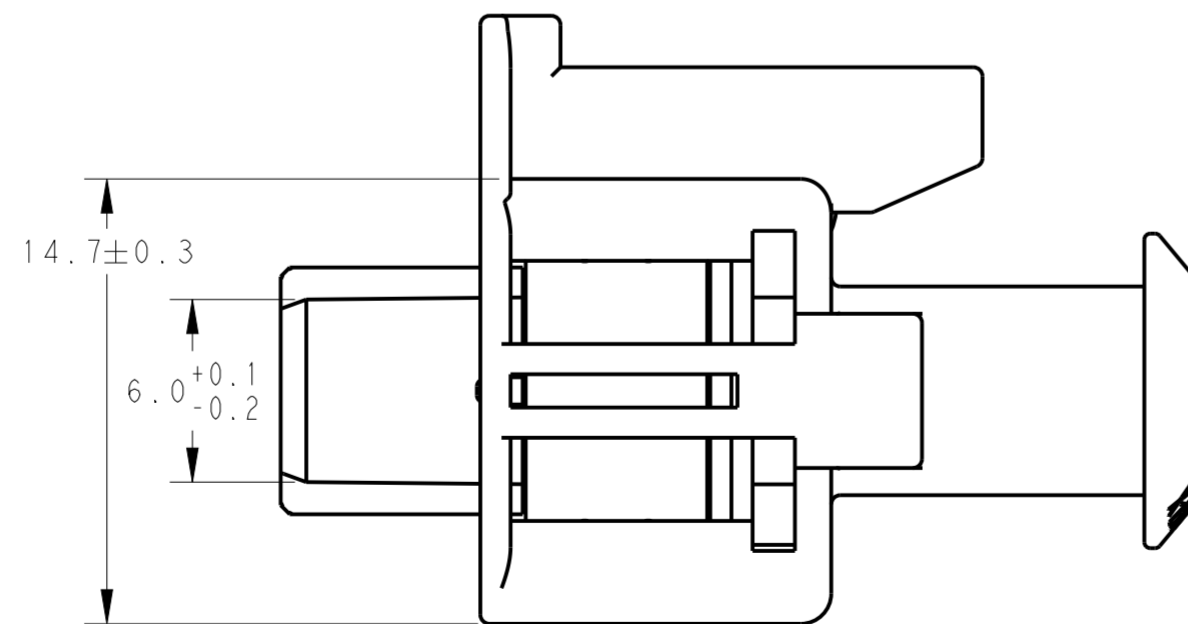
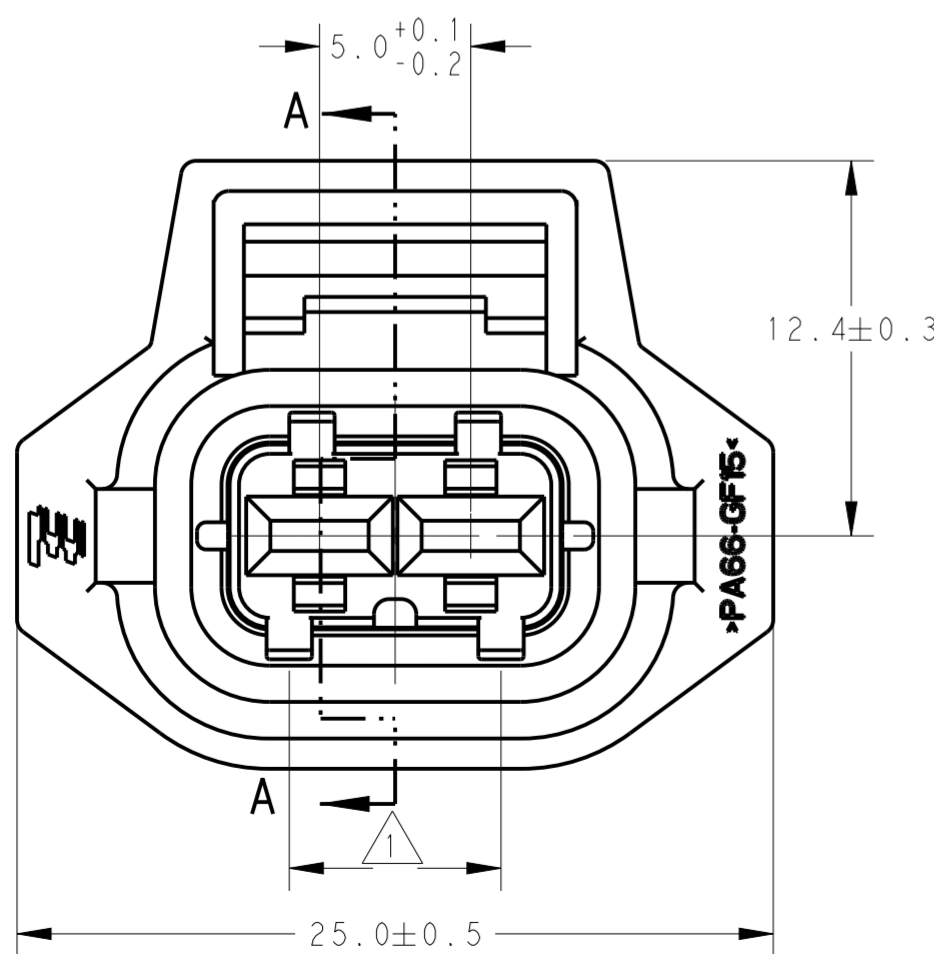
DESCRIPTION	2.8mm SENSOR-FLAT RECEPTACLE OR EQUIVALENT	
PART NO.	967542 OR EQU.	967543 OR EQU.
WIRE SIZE	0.5~1.0	>1.0~2.5

3. APPLIED WIRE SEAL P/N:

DESCRIPTION	SINGLE-WIRE SEAL (5mm HOLE)	
PART NO.	828904	828905
INSULATION DIA. (∅)	1.2~2.1mm	2.2~3.0mm

(TABLE 1)

CODE 1	1-2050046-1/3	CODE 2	1-2050046-2/4



1	1	1	1	PC	ORANGE	SILICON	INNER SEAL	2	
1				PC	WHITE	PA66 GF15	PLUG (CODE 2)	1	
	1			PC	BROWN	PA66 GF15	PLUG (CODE 1)	1	
		1		PC	BLACK	PA66 GF15	PLUG (CODE 2)	1	
			1	PC	BLACK	PA66 GF15	PLUG (CODE 1)	1	
1-2050046-4				1-2050046-3				1-2050046-2	
1-2050046-1				U/M				COLOR	MATERIAL
								DESCRIPTION	ITEM

THIS DRAWING IS A CONTROLLED DOCUMENT.

DWN: K. ZHOU 28MAY21  
 CHK: T. DONG 28MAY21  
 APVD: J. ZONG 28MAY21

PRODUCT SPEC: 108-101133-1  
 APPLICATION SPEC: -

MATERIAL: -

WEIGHT: -

CUSTOMER DRAWING

SCALE: 1:1

SHEET: 2 OF 2

REV: A2

STE TE Connectivity

NAME: 2.8mm SEALED 2P PLUG ASSEMBLY

SIZE: A2 CAGE CODE: C-2050046

## X-ON Electronics

Largest Supplier of Electrical and Electronic Components

*Click to view similar products for [Automotive Connectors](#) category:*

*Click to view products by [TE Connectivity](#) manufacturer:*

Other Similar products are found below :

[003-018-000](#) [60993906-B](#) [72.330.1035.1](#) [776880-1](#) [827153-1](#) [9-1326729-8](#) [9-221607-5](#) [925474-1](#) [928905-1](#) [964562-4](#) [968782-1](#) [98891-1012](#) [12004468](#) [12004475-L](#) [12004483](#) [12052466](#) [12066163](#) [12015909](#) [12077753](#) [1-21030-1](#) [12047957](#) [12047958](#) [12084688](#) [12185550](#) [12336-12](#) [1-326211-1](#) [13681974](#) [13688972](#) [13755420](#) [13779834](#) [13783086](#) [13843152](#) [13522378](#) [13581967](#) [13669624](#) [13675513](#) [13753471](#) [13946876](#) [13953457](#) [13955963](#) [13964573](#) [13971791](#) [13790534-L](#) [13797473](#) [13805590](#) [13888202](#) [1428188-1](#) [1437287-3](#) [1428188-2](#) [DS07-19S-5020](#)