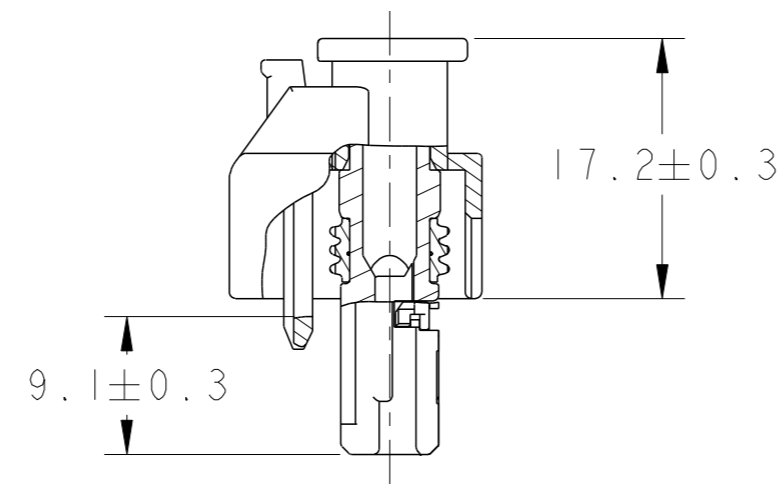
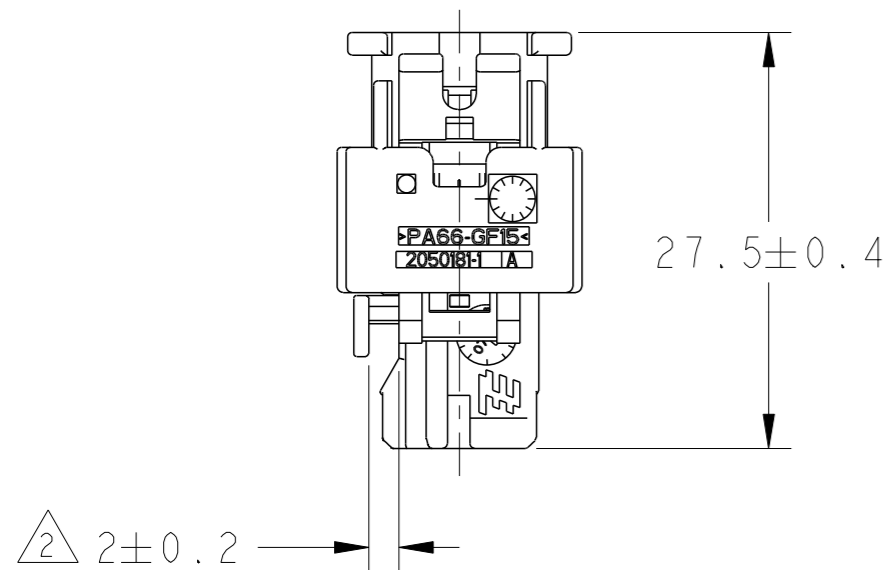
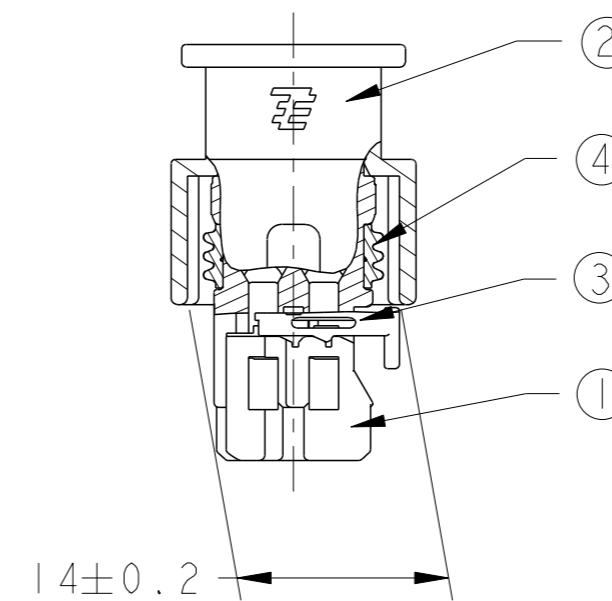


THIS DRAWING IS UNPUBLISHED. RELEASED FOR PUBLICATION 20
 © COPYRIGHT 20 BY TYCO ELECTRONICS CORPORATION, ALL RIGHTS RESERVED.

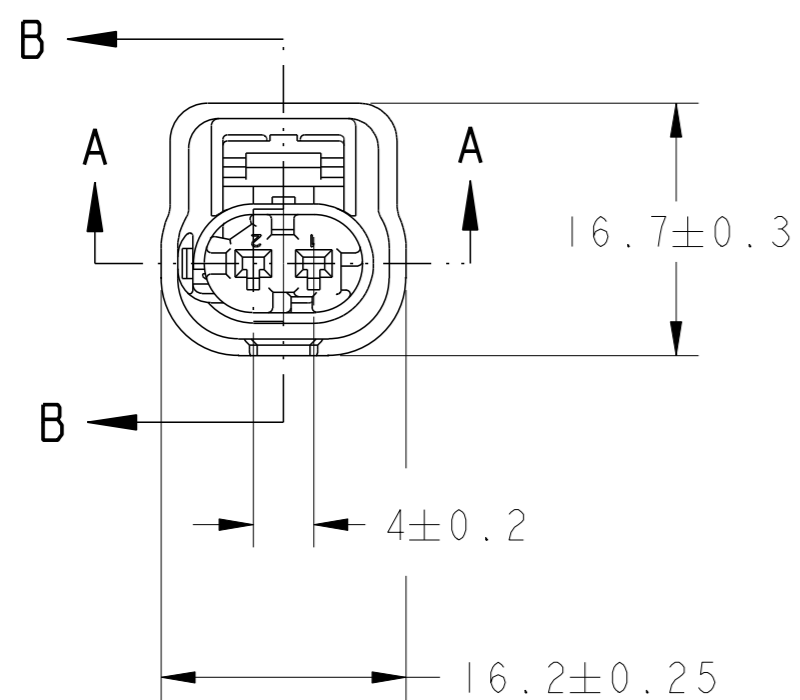
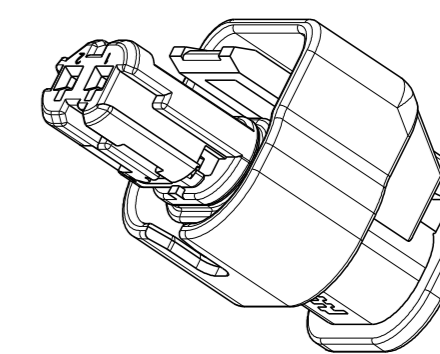
LOC	DIST	REVISIONS			
P	LTR	DESCRIPTION	DATE	DWN	APVD
	A	RELEASE	04AUG08	S.W	K.O
	B	ADD NEW PART NO.	25OCT10	B.P	K.O



SECTION B-B



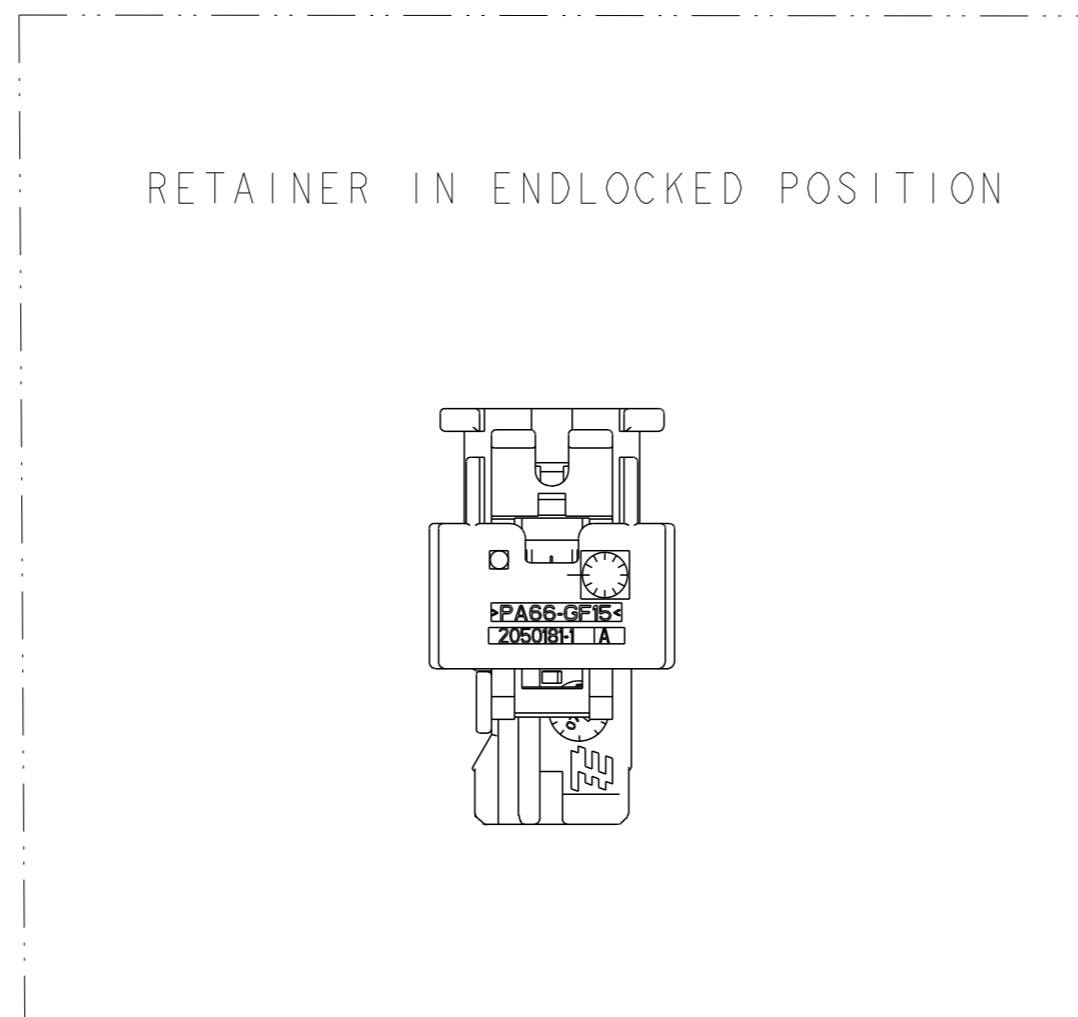
SECTION A-A



NOTES:

1. SUITABLE FOR CONTACT MCON 1.2
 SEE TYCO ELECTRONICS NO.: 1452674
 MAX. WIRE SIZE RANGE 1.0MM² FLR PERMITTED.

2. SUPPLY CONDITION: RETAINER IN PRELOCKED POSITION



(B)

2050086-2	A	I	RETAINER	PA66-GF15	NATURAL	3
		I	OUTER HOUSING	PA66-GF15	BLACK RAL9011	2
		I	INNER HOUSING	PA66-GF30	BLACK RAL9011	1
2050086-1	A	I	SEAL	SILICONE	ORANGE	4
		I	RETAINER	PA66-GF15	NATURAL	3
		I	OUTER HOUSING	PA66-GF15	BLACK RAL9011	2
I	INNER HOUSING	PA66-GF30	BLACK RAL9011	1		
TE ORDER NO.	REV	QTY	DESCRIPTION	MATERIAL	COLOR	ITEM

<small>THIS DRAWING IS A CONTROLLED DOCUMENT FOR TYCO ELECTRONICS CORPORATION. IT IS SUBJECT TO CHANGE AND THE CONTROLLING ENGINEERING ORGANIZATION SHOULD BE CONTACTED FOR THE LATEST REVISION.</small>		DWN: SEAN.WANG 04AUG08 CHK: K.O 05AUG08 APVD: K.O 05AUG08	Tyco Electronics Shanghai, China
DIMENSIONS: mm 	TOLERANCES UNLESS OTHERWISE SPECIFIED: ACC. TO DIN16901-140 0-PLC ±.5 1-PLC ±0.13 2-PLC ±0.13 3-PLC ±0.13 4-PLC ±0.0001 ANGLES ±.0001 FINISH	PRODUCT SPEC: 108-18969 APPLICATION SPEC: 114-18861 WEIGHT:	NAME: MCON1.2 2POS. RECEPTACLE HOUSING SIZE: A2 CAGE CODE: 00779 DRAWING NO: C-2050086 RESTRICTED TO:
MATERIAL: SEE TABLE	RESTRICTED CUSTOMER	SCALE: 2:1	SHEET 1 OF 1 REV B

X-ON Electronics

Largest Supplier of Electrical and Electronic Components

Click to view similar products for [Automotive Connectors](#) category:

Click to view products by [TE Connectivity](#) manufacturer:

Other Similar products are found below :

[003-018-000](#) [60993906-B](#) [72.330.1035.1](#) [F358300-B](#) [F407400](#) [776880-1](#) [827153-1](#) [8N1515-32-24P](#) [9-1326729-8](#) [925474-1](#) [928905-1](#)
[964562-4](#) [968782-1](#) [98891-1012](#) [12004475-L](#) [12041318-B](#) [12052466](#) [12015909](#) [1-21030-1](#) [12041318](#) [12047957](#) [12185550](#) [12336-12](#)
[12147304](#) [1-326211-1](#) [13681974](#) [13783086](#) [13832576](#) [13542772](#) [13675513](#) [1428188-1](#) [1437287-3](#) [1428188-2](#) [DS07-19S-5020](#) [1456983-5](#)
[1456987-7](#) [APD-7CP-H](#) [APK-SB25A10L](#) [1452931-2](#) [15336198](#) [15491972](#) [15305306](#) [15396680](#) [15425613](#) [15518544](#) [15522351](#) [1719636-1](#)
[172190-2](#) [172190-5](#) [192900-0402](#)