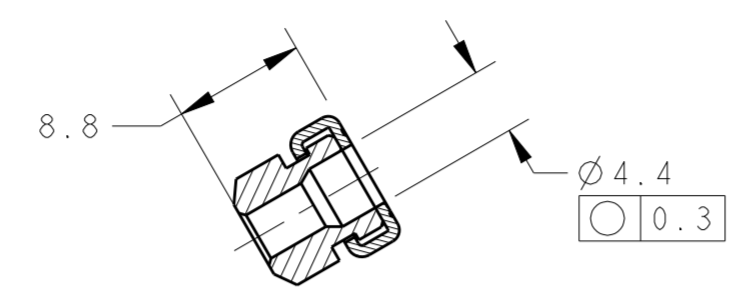
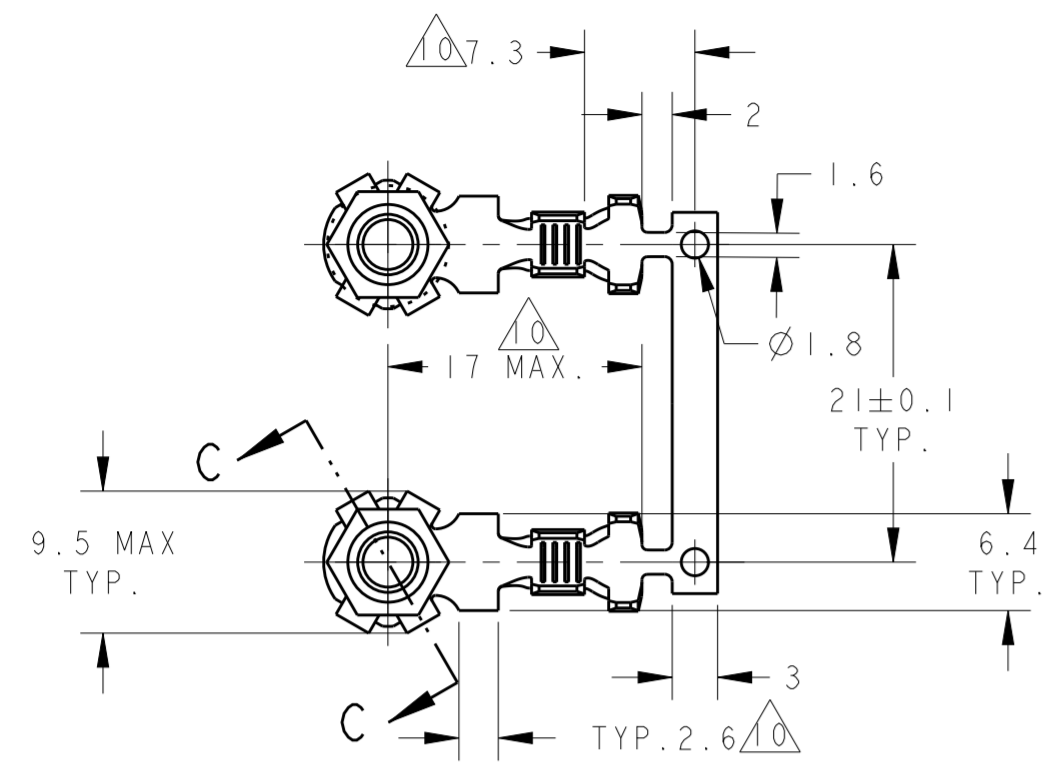
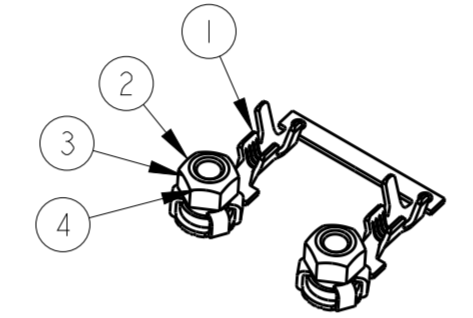


THIS DRAWING IS UNPUBLISHED. RELEASED FOR PUBLICATION
 © COPYRIGHT - BY - ALL RIGHTS RESERVED.

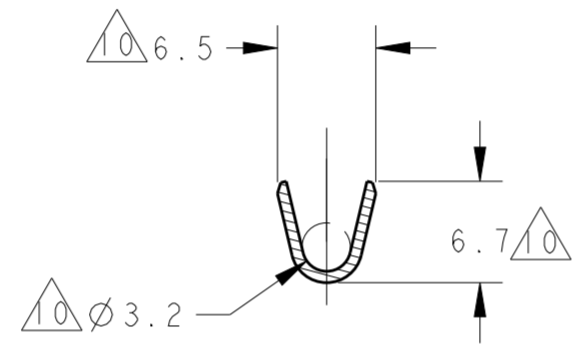
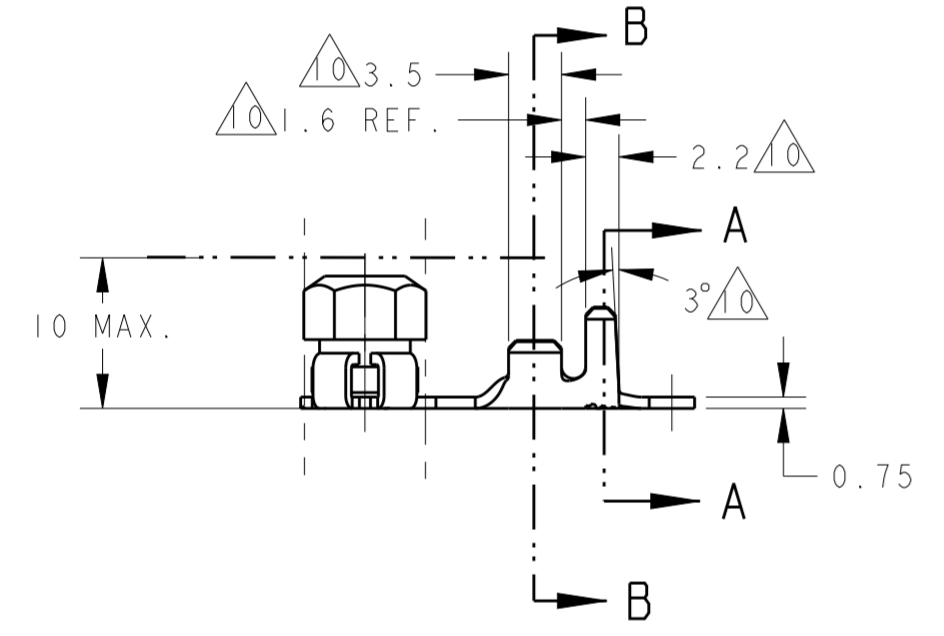
REVISIONS					
P	LTR	DESCRIPTION	DATE	DWN	APVD
D1		ECO-13-009543 ADD P/N	28JUN13	CZ	WY
D2		ECO-15-012967	09SEP15	JS	WY
D3		ECR-19-000800	21JAN19	J.Y	E.J
D4		ECR-19-004068	14MAR19	J.Y	E.J



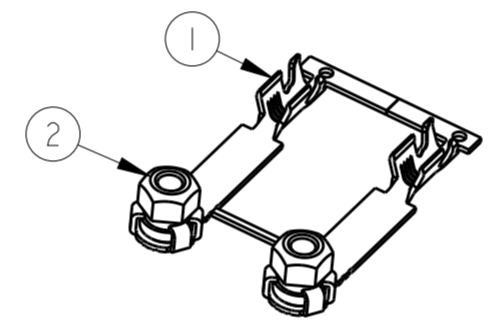
SECTION C-C



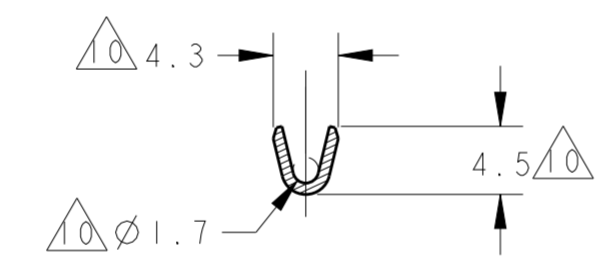
SCALE 1:1
ISOMETRIC FOR -1/-3/-5



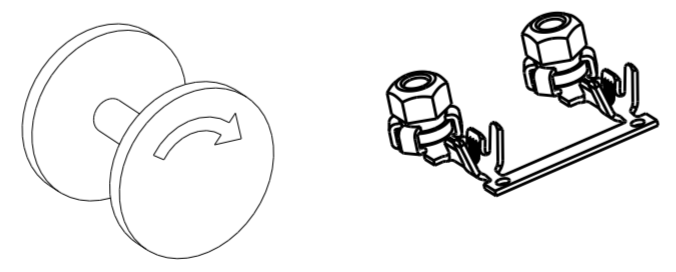
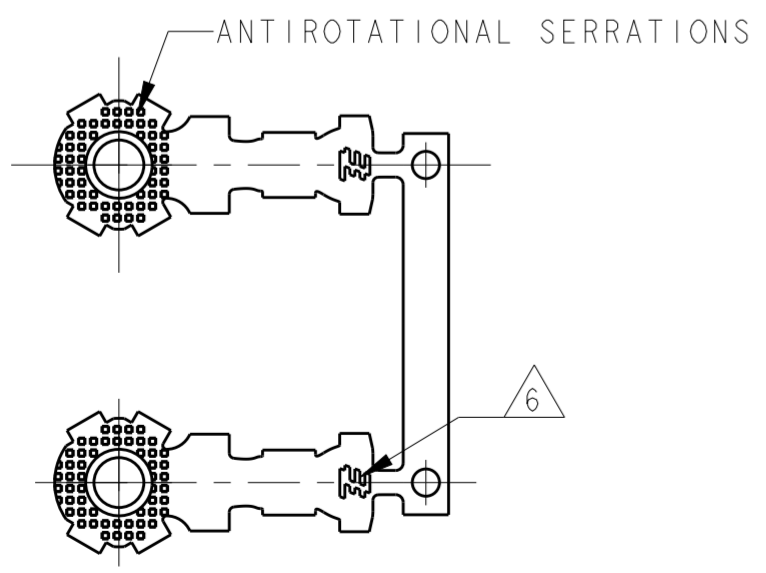
SECTION A-A



SCALE 1:1
ISOMETRIC FOR -6



SECTION B-B



SCALE 1:1

DIRECTION OFF TOP OF REEL
ACC. TO TE SPEC. 107-3

- FOR 2050216-1 TO -5, WIRE BARREL AND ISULATION FOR "F" CRIMP FOR 2050216-6, SEE SPEC 114-101016
- FOR 2050216-1 TO -5,
WIRE CRIMP WIDTH: .140Inches (3.56mm) "F"
INSULATION CRIMP WIDTH: .180Inches (4.57mm) "F"
WIRE CRIMP HEHT: 2.33mm (WIRE SIZE 1.50mm²)
2.43mm (WIRE SIZE 2.00mm²)
2.57mm (WIRE SIZE 2.50mm²)
FOR 2050216-6, SEE SPEC 114-101016
- QUANTITY: 1000PCS PER REEL.
- SW7x M4, SPIRALOCK OR EQUIVALENT NUT, LOW CARBON STEEL, ZINC PLATING BICHROMATED (TRIVALENT CHROMATE).
- THE TORQUE SPECIFIED FOR NUT TERMINAL IS 1.8±0.3Nm.
- TE LOGO.
- SW7x M4, SPIRALOCK OR EQUIVALENT NUT, LOW CARBON STEEL, NICKEL PLATING.
- SW7x M4-6H, NORMAL THREAD, LOW CARBON STEEL, ZINC PLATING BICHROMATED (TRIVALENT CHROMATE).

- PART 2050216-1/-3/-5 SHOWN ON SHEET1
PART 2050216-6 SHOWN ON SHEET2
- DIMS WITHOUT $\Delta 0$ ARE FOR ALL PARTS (2050216-1/-3/-5/-6)
- $\Delta 0$ DIMS FOR PART 2050216-1/-3/-5
- $\Delta 1$ DIMS FOR PART 2050216-6

QTY	DESCRIPTION	MATERIAL	FINISH	ITEM
4	NUT M4			4
3	NUT M4			3
2	NUT M4			2
1	TERMINAL	PHOS. BRONZE	PRE-TIN	1
6				
REQ. PRE ASSY				
2050216				

>1.0-2.5 mm ²	Ø 2.20-3.00
WIRE RANGE	INS. RANGE

THIS DRAWING IS A CONTROLLED DOCUMENT.

DWN: S. ZHU 02NOV09
 CHK: W. YUAN 13NOV09
 APVD: K. ODA 13NOV09

TE Connectivity

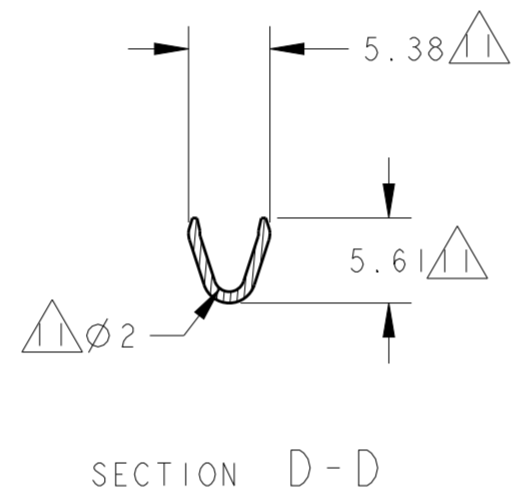
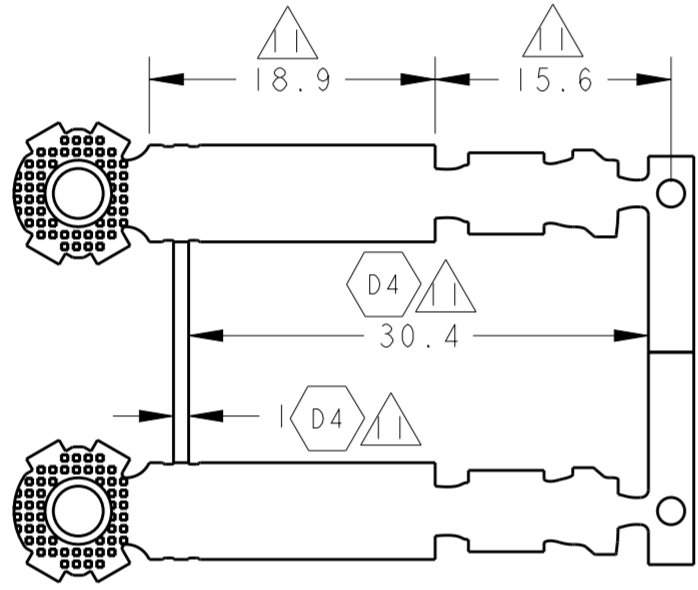
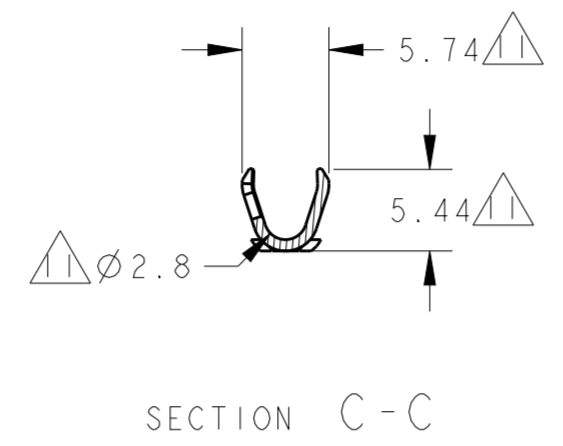
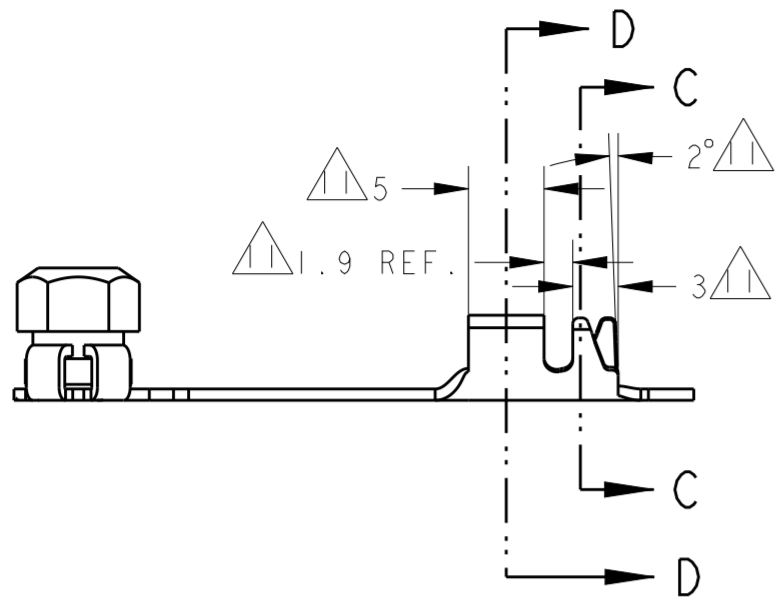
ASSY., TERMINAL_RING_TONGUE, M4

SIZE: A2 CAGE CODE: 00779 DRAWING NO: C-2050216

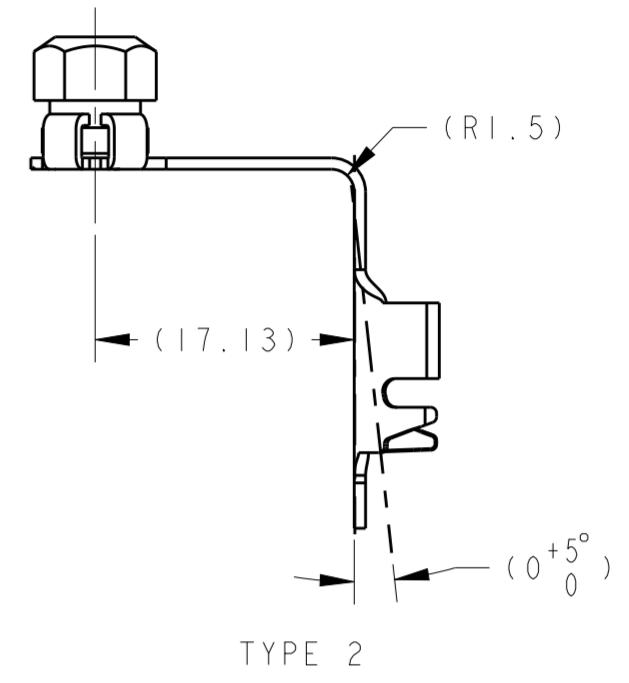
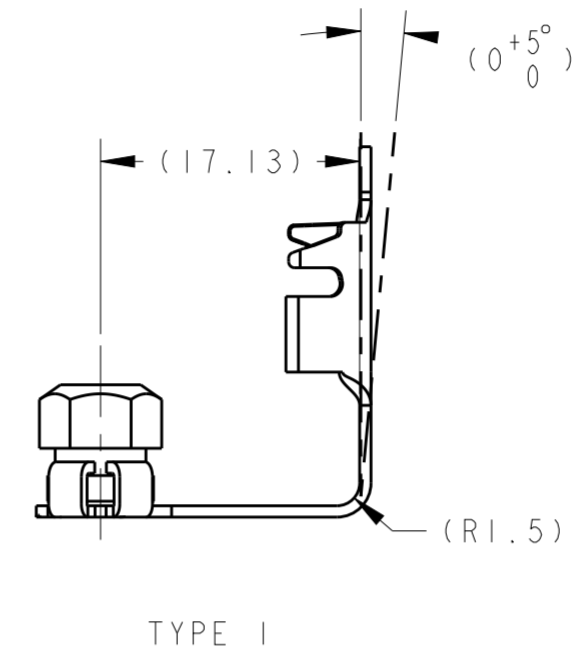
SCALE: 2:1 SHEET 1 OF 2 REV D4

THIS DRAWING IS UNPUBLISHED. RELEASED FOR PUBLICATION
 © COPYRIGHT - BY - ALL RIGHTS RESERVED.

REVISIONS				
P	LTR	DESCRIPTION	DATE	APVD
		SEE SHEET 1		



RECOMMENDED APPLICATION FOR 2050216-6



THIS DRAWING IS A CONTROLLED DOCUMENT.		DWN S. ZHU 02NOV09	TE Connectivity		
DIMENSIONS: mm		CHK W. YUAN 13NOV09			NAME ASSY., TERMINAL_RING_TONGUE, M4
		APVD K. ODA 13NOV09			SIZE A200779
TOLERANCES UNLESS OTHERWISE SPECIFIED: 0-PLC ±0.3 1-PLC ±0.1 2-PLC ±0.01 3-PLC ±0.001 4-PLC ±0.0001 ANGLES ±3° FINISH		PRODUCT SPEC	DRAWING NO C-2050216	RESTRICTED TO	
MATERIAL material_2		APPLICATION SPEC	SCALE 2:1	SHEET 2 OF 2	
FINISH finish_spec_2		WEIGHT	CUSTOMER DRAWING	REV D4	

X-ON Electronics

Largest Supplier of Electrical and Electronic Components

Click to view similar products for [Terminals](#) category:

Click to view products by [TE Connectivity](#) manufacturer:

Other Similar products are found below :

[00-054007-01074-6](#) [00-054007-70206-1](#) [00-054007-70210-8](#) [00-054007-70217-7](#) [00-054007-70228-3](#) [00-054007-70256-6](#) [00-054007-70316-7](#) [00-054007-49560-4](#) [00-054007-70209-2](#) [00-054007-70231-3](#) [00-054007-70241-2](#) [00-054007-70242-9](#) [00-054007-70246-7](#) [00-054007-70263-4](#) [00-054007-70288-7](#) [00-054007-70290-0](#) [00-054007-70300-6](#) [00-054007-70304-4](#) [01-2900-1-04412](#) [00581P0075](#) [600TS-10](#) [605601-1](#) [60598-1-CUT-TAPE](#) [60617-1-C](#) [61314-6-C](#) [61810-3](#) [626-0194](#) [63-S](#) [M55155/059I03](#) [M55155/079C01](#) [M55155/099B03](#) [M55155/099H02](#) [M55155/109H01](#) [M55155/12XH05](#) [M55155/29-5S](#) [M55155/29XJ08](#) [M55155/30-6S](#) [M55155/30-9S](#) [M55155/30XI09](#) [M6-14RSX](#) [696683-1](#) [696861-1](#) [696999-1](#) [M86700006](#) [D18-110B-C](#) [D18-110B-M](#) [701-1936](#) [701-1955](#) [701-2003](#) [701-2007](#)