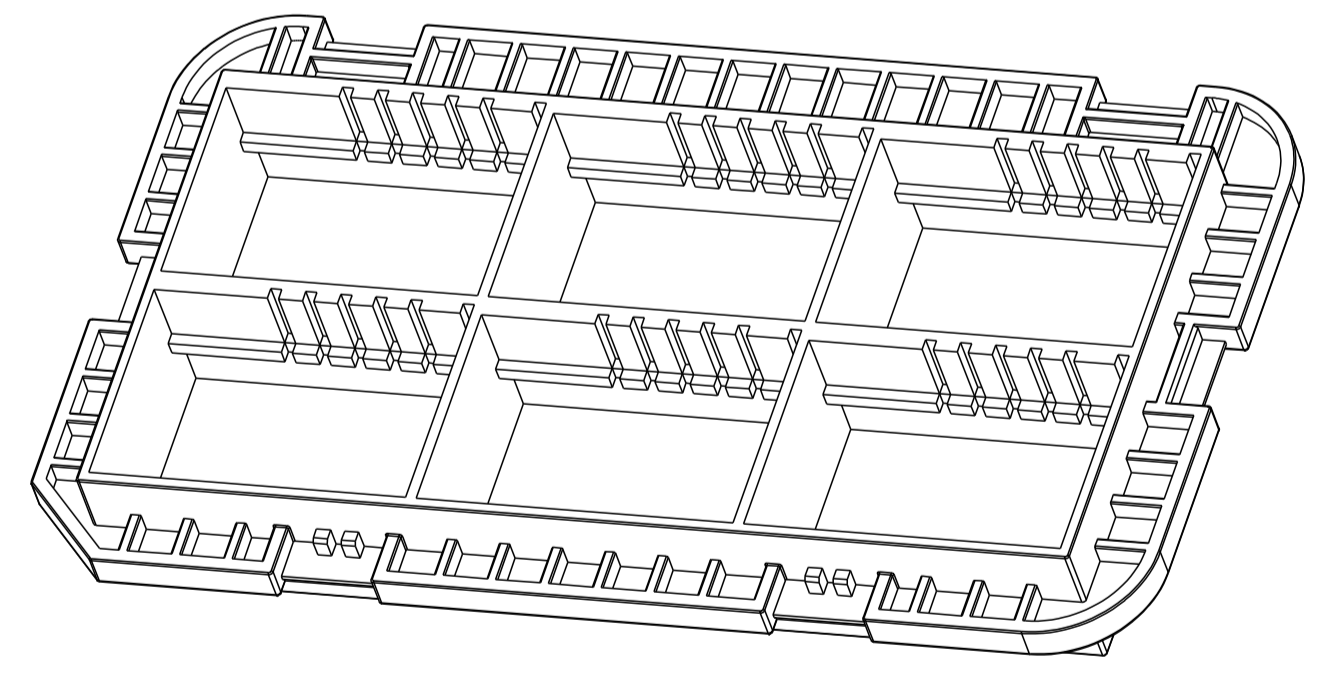
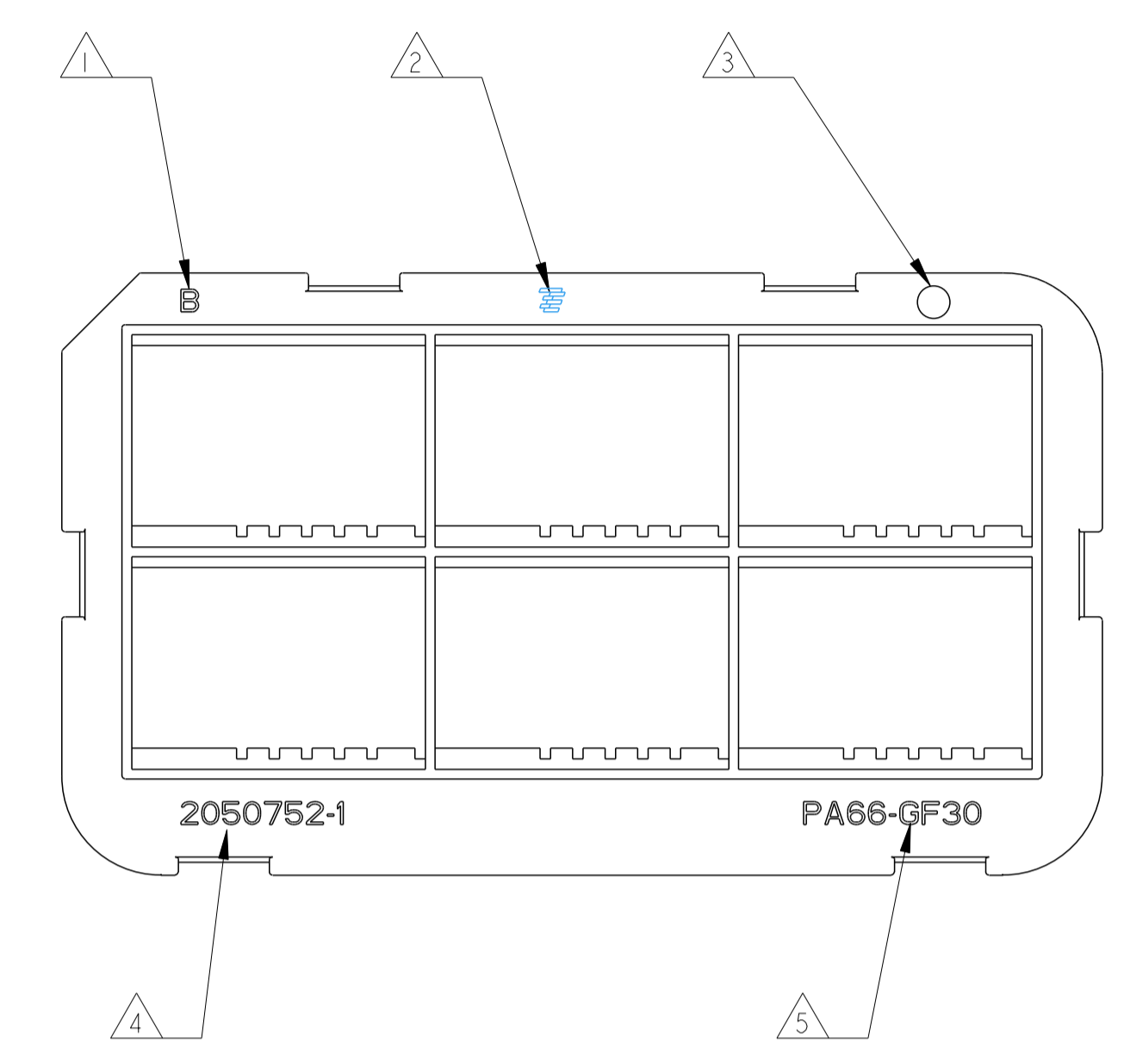
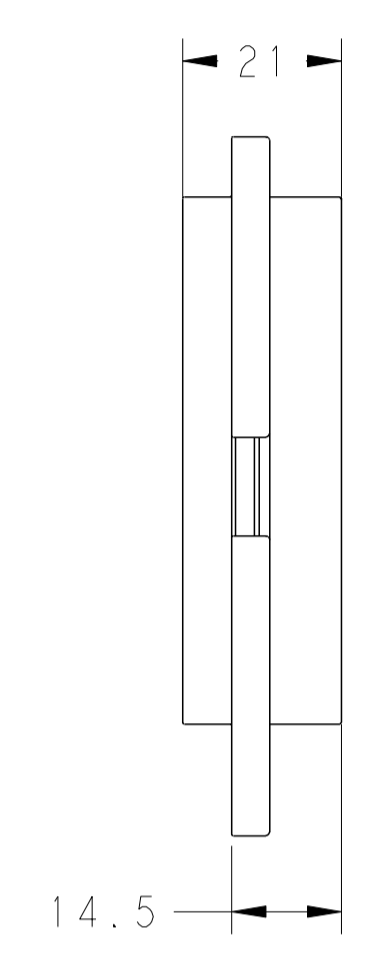
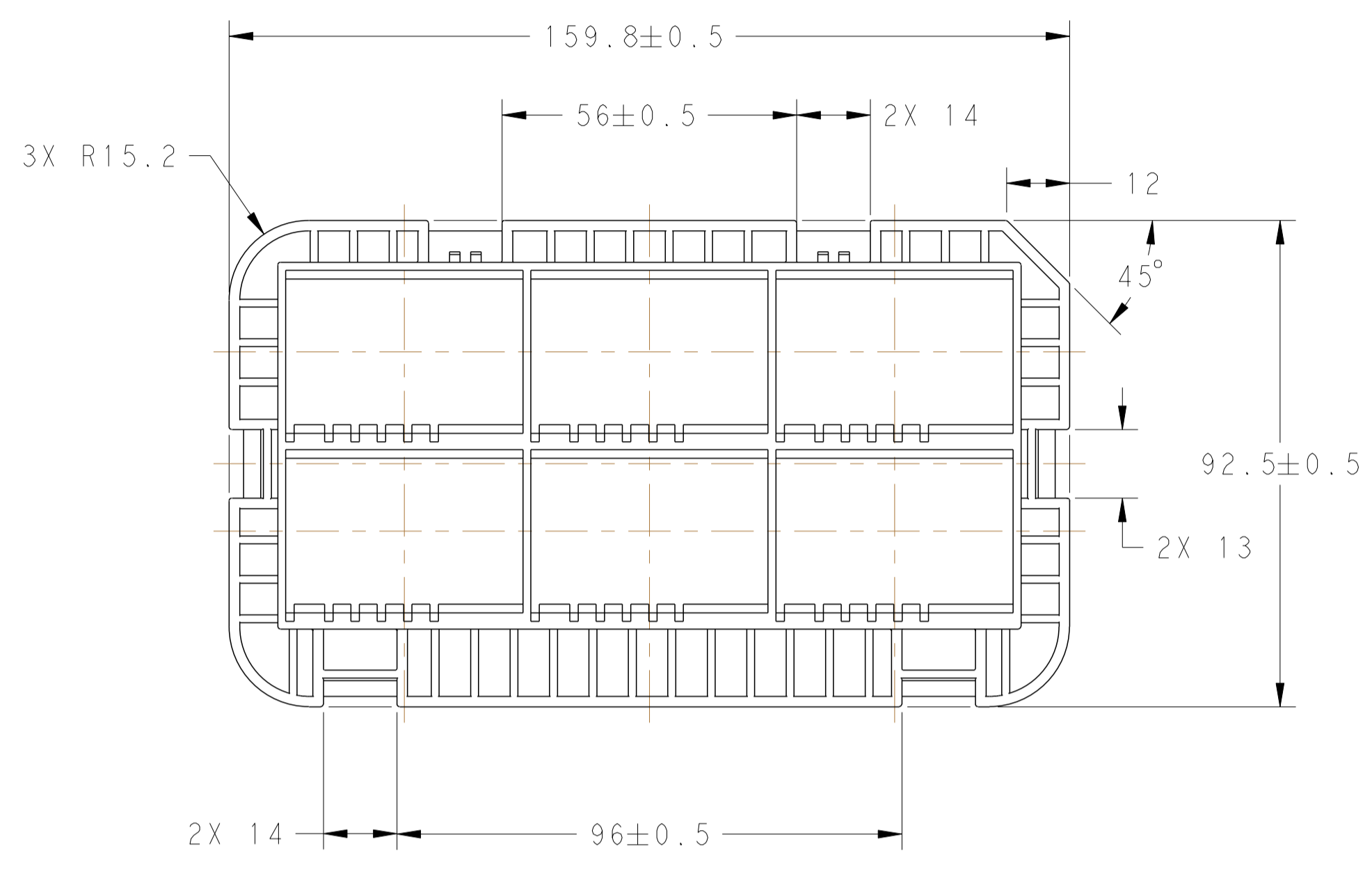


THIS DRAWING IS UNPUBLISHED. RELEASED FOR PUBLICATION 20  
 © COPYRIGHT 20 BY ALL RIGHTS RESERVED.

LOC		DIST		REVISIONS				
P	LTR	DESCRIPTION	DATE	DWN	APVD			
A		RELEASED	12AUG11	CZ	WY			



NOTES:

- ① PART REVISION NUMBER, EXCHANGABLE.
- ② TE LOGO, 0.2mm RAISED. ACCORDING TO TE P/N 15991-3.
- ③ MANUFACTURING DATE, 0.2mm RAISED.
- ④ TE P/N, 0.2mm RAISED.
- ⑤ MATERIAL MARK, ACCORDING TO VDA 260.
- 6. CHARACTERS HEIGHT 4mm, UNLESS OTHER SPECIFIED.

THIS DRAWING IS A CONTROLLED DOCUMENT.		DWN C. ZHAO	10AUG11		TE Connectivity																		
DIMENSIONS: mm		CHK W. YUAN	12AUG11		NAME FRAME FOR BULK HEAD CONNECTOR FAW J6K FIREWALL																		
TOLERANCES UNLESS OTHERWISE SPECIFIED: ±0.3		APVD W. YUAN	12AUG11	PRODUCT SPEC																			
<table border="1"> <tr><td>0</td><td>PLC</td><td>±0.1</td></tr> <tr><td>1</td><td>PLC</td><td>±0.1</td></tr> <tr><td>2</td><td>PLC</td><td>±0.01</td></tr> <tr><td>3</td><td>PLC</td><td>±0.001</td></tr> <tr><td>4</td><td>PLC</td><td>±0.0001</td></tr> <tr><td colspan="2">ANGLES</td><td>±0.0001</td></tr> </table>		0	PLC	±0.1	1	PLC	±0.1	2	PLC	±0.01	3	PLC	±0.001	4	PLC	±0.0001	ANGLES		±0.0001	108-101175		APPLICATION SPEC	
0	PLC	±0.1																					
1	PLC	±0.1																					
2	PLC	±0.01																					
3	PLC	±0.001																					
4	PLC	±0.0001																					
ANGLES		±0.0001																					
MATERIAL PA66-GF30 704984-1		REPORT		SIZE A1	CAGE CODE C=2050752	DRAWING NO. CUSTOMER DRAWING																	
SCALE 1:1				SHEET 1	OF 1	REV A																	

## X-ON Electronics

Largest Supplier of Electrical and Electronic Components

*Click to view similar products for [RF Connector Accessories](#) category:*

*Click to view products by [TE Connectivity](#) manufacturer:*

Other Similar products are found below :

[89674-0712](#) [FERRULE-174](#) [R141802000](#) [R141842000](#) [R141862000W](#) [R280907000](#) [AX102907](#) [HP-500](#) [2098-3251-94](#) [KA-81-02](#) [KA-81-05](#) [KN-89-12](#) [89674-0805](#) [FERRULE-223](#) [202102-11](#) [R280468000](#) [R280510000](#) [RFI155-1](#) [RFI25-12-D3](#) [RFI25-4-D2](#) [RFI75-12-D2](#) [RFI97-14](#) [360HS001M2508M6](#) [4-1532137-4](#) [HRM-514S\(40\)](#) [5-21085-0](#) [111062-0490](#) [112122-SOD-LUG](#) [IPP-2014](#) [RFI95-14-D2](#) [1736-1511-075](#) [RFI75-2-D3](#) [RFI25-3-D3](#) [R280469010](#) [RFI85-4](#) [896110450](#) [660-024M09S5-01](#) [1403137-1](#) [360HB001M2512H](#) [360HS001M1716M3](#) [380HS115M2508H3](#) [380HS001M1716M4](#) [FERRULE-316DB](#) [105274-2000](#) [73415-1970](#) [R280755050W](#) [52014041A](#) [R447120000](#) [BNC-JCAP\(01\)](#) [415CPB-239-50F](#)