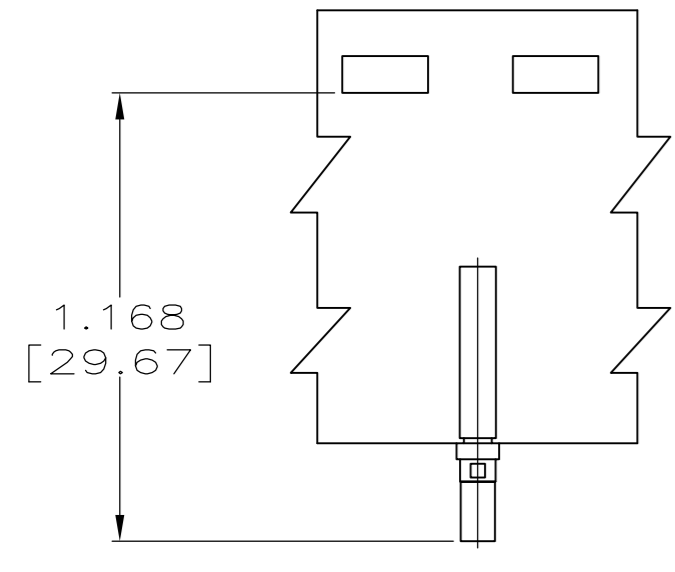
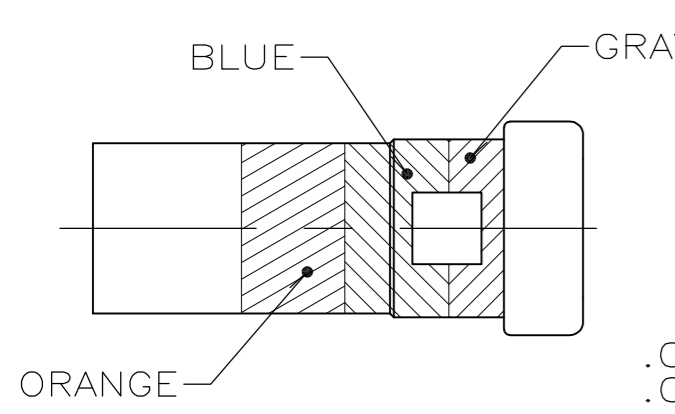
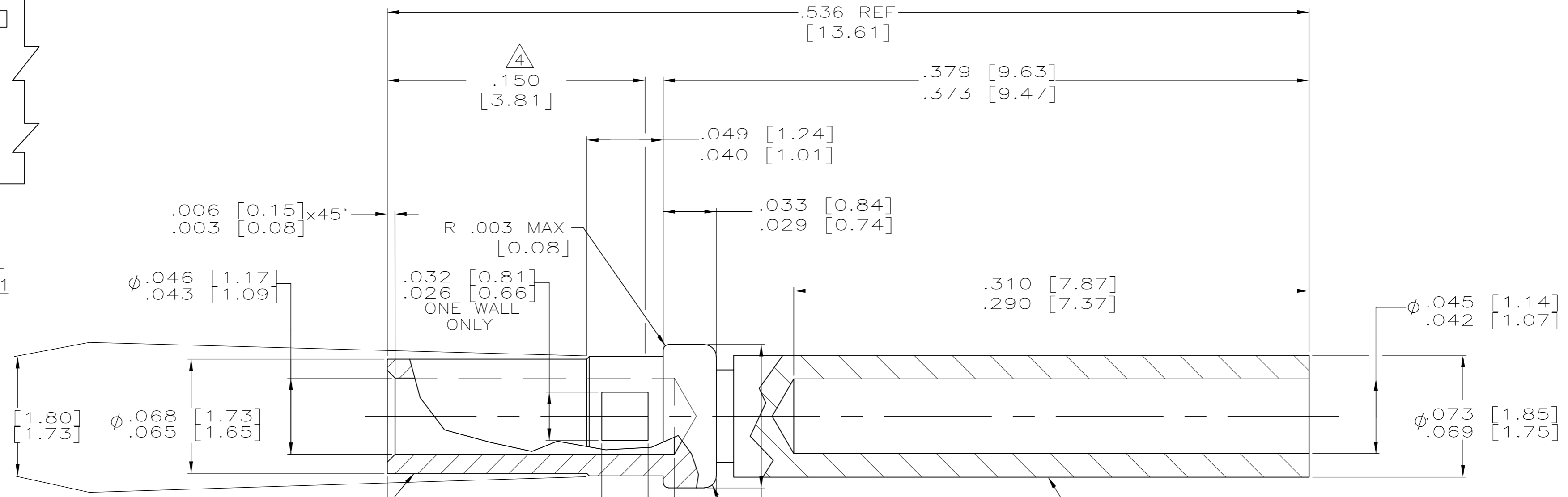


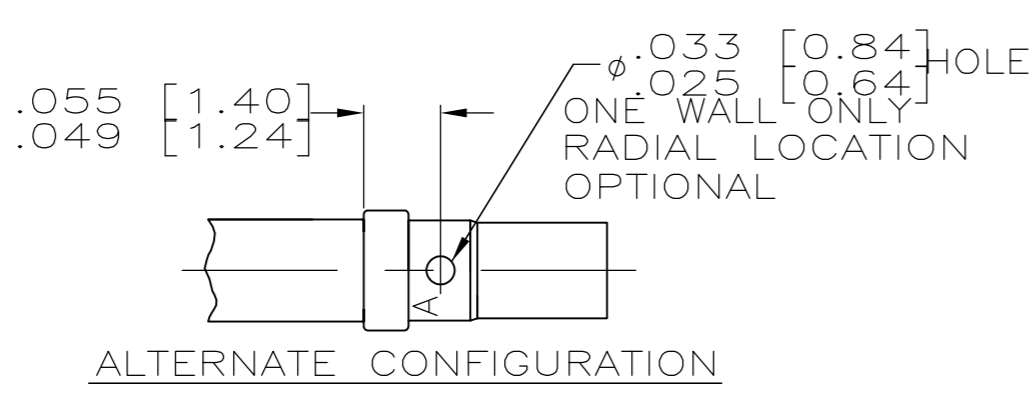
REVISIONS				
P	LTR	DESCRIPTION	DATE	APVD
U		REV PER ECO 16-017871	24MAY16	CT DM



205090-2
SCALE 2:1



COLOR CODE
BIN NO. 368
SCALE 10:1



ALTERNATE CONFIGURATION

- ALL DIMENSIONS APPLY AFTER PLATING.
- CONTACT QUALIFIED TO SAE-AS39029/63-368.
- ALL DIAMETERS CONCENTRIC WITH EACH OTHER WITHIN .004 T.I.R.
- POINT OF PLATING MEASUREMENT .150 [3.81] FROM WIRE BARREL END OF CONTACT.
- ALL SURFACES HAVE $\sqrt{63}$ OR BETTER FINISH.
- GOLD PLATED .000050 MIN THK PER ASTM-B-488 TYPE II, GRADE C, CLASS 1.25 OVER NICKEL .000050 MIN THK PER AMS-QQ-N-290 IN MATING AREAS. GOLD FLASH PER ASTM-B-488 OVER .000050 MIN THK NICKEL PER AMS-QQ-N-290 IN NON MATING AREAS.
- GOLD PLATED PER ASTM B 488 TYPE 3, GRADE C, CLASS .75 OVER NICKEL PER QQ-N-290.
- SLEEVE MAY BE CRIMPED, DIMPLED OR PRESS FIT TO BODY
- MANUFACTURER'S LOGO ("A" OR "- . .") LOCATION OPTIONAL.
- RESTRICTED PART NUMBER
- COUNTRY OF ORIGIN RESTRICTED TO UNITED STATES.

SUPERSEDED BY 1218267-3

	YES		LOOSE PIECE	4-205090-1
	NO		LOOSE PIECE	2-205090-2
				2-205090-1
	NO		LOOSE PIECE	205090-7
	YES		TAPE MOUNTED	205090-2
	YES		LOOSE PIECE	205090-1
COLOR CODE	FINISH	DESCRIPTION	PART NUMBER	

THIS DRAWING IS A CONTROLLED DOCUMENT.

DIMENSIONS: INCHES [mm]	TOLERANCES UNLESS OTHERWISE SPECIFIED: 0 PLC ± - 1 PLC ± - 2 PLC ± - 3 PLC ± .005 [0.13] 4 PLC ± - ANGLES ± -	DWN C.C.THOMAS 8-17-04 CHK D.MILLER 8-17-04 APVD D.MILLER 8-17-04 PRODUCT SPEC APPLICATION SPEC	TE Connectivity NAME CONTACT ASSY, SOCKET, SIZE 20, AMPLIMITE SIZE CAGE CODE DRAWING NO RESTRICTED TO A2 00779 C=205090 - WEIGHT 0.000000 CUSTOMER DRAWING SCALE 20:1 SHEET 1 of 1 REV U	
MATERIAL SEE CALLOUTS	FINISH SEE CALLOUTS	WEIGHT 0.000000		

X-ON Electronics

Largest Supplier of Electrical and Electronic Components

Click to view similar products for [D-Sub Contacts](#) category:

Click to view products by [TE Connectivity](#) manufacturer:

Other Similar products are found below :

[D02-22-26S-10000](#) [8656352067LF](#) [131A15029X](#) [132A11019X](#) [132J22039X](#) [132A11029X](#) [132A11049X](#) [132A12059X](#) [1757912-1](#) [188582-000](#) [162A11889X](#) [1757913-1](#) [212558-1](#) [030-1955-000](#) [053744-0098](#) [053744-0099](#) [053745-0105](#) [053745-0111](#) [601098N003](#) [86303057NLF](#) [131A11019X](#) [162A11819X](#) [40-9854MP](#) [1-208778-5](#) [FC120N2](#) [MC7526D/AA](#) [MC8122D/AA](#) [FC4010D-15](#) [FC4006D](#) [121A05329A](#) [164C16669X](#) [86566620064LF](#) [131A13019X](#) [DLS3XS5AK40X](#) [09692825723](#) [030-1954-000](#) [L17DM53744207](#) [L17RRD1M11400](#) [030-1952-000](#) [1655496](#) [030-1953-000](#) [030-1953-030](#) [132C11039X](#) [132J15019X](#) [132C15019X](#) [132A10039X](#) [131A10029X](#) [8638PSC2006LF](#) [8656453067LF](#) [86566520064LF](#)