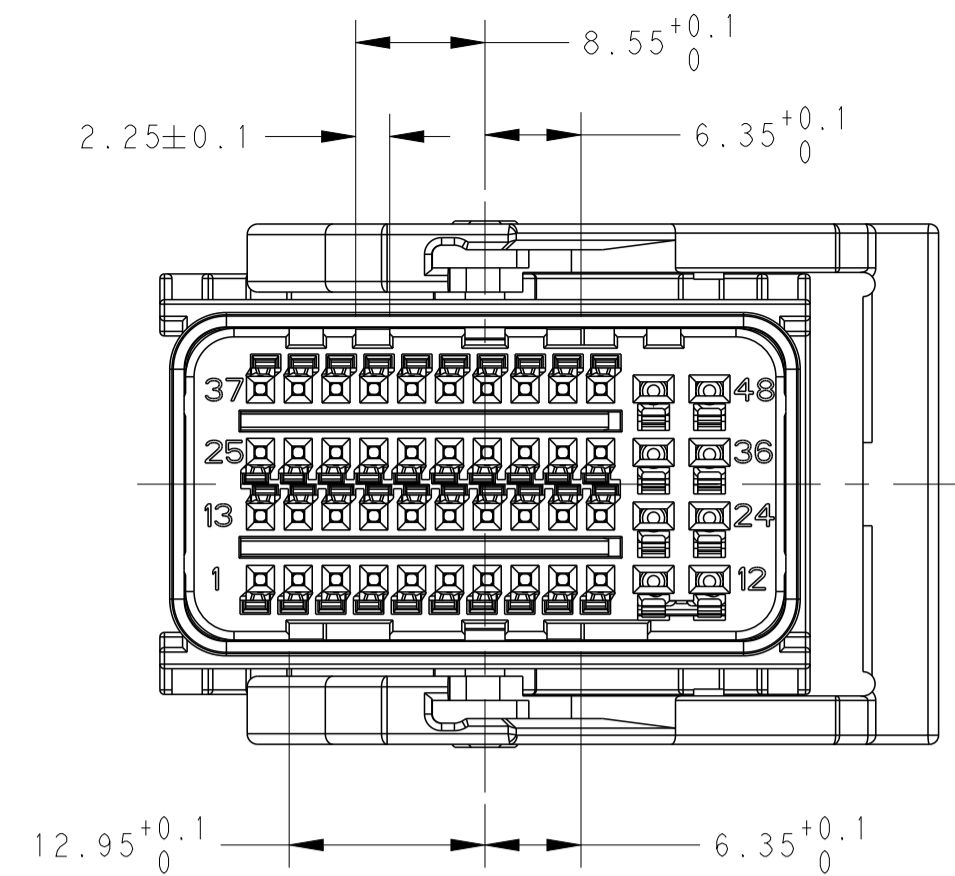


LOC	DIST	REVISIONS					
ES	00	REV	LTN	DESCRIPTION	DATE	OWN	APVD
		D2		ECR-17-013967	20SEP2017	N.S	I.Y
		D3		ECR-20-011405	12AUG2020	J.L	I.Y
		D4		ECN-21-115526	31AUG2021	J.L	J.Z
		D5		ECN-22-142480 (DRAWING UPDATE ONLY)	08MAR2022	J.L	J.Z

# CODING 1

CAVITY NO.		PINOUT CONFIGURATION																																																			
1	2	3	4	5	6	7	8	9	10	11	12	13	14	15	16	17	18	19	20	21	22	23	24	25	26	27	28	29	30	31	32	33	34	35	36	37	38	39	40	41	42	43	44	45	46	47	48						
2050981-7	2050982-5	X		X		X		X		X															X														X		X		X		X								
2050981-4	2050982-4	X	X	X	X	X	X	X	X	X	X	X	X	X	X	X	X	X	X	X	X	X	X	X	X	X	X	X	X	X	X	X	X	X	X	X	X	X	X	X	X	X	X	X	X	X	X	X	X	X	X		
2050981-3	2050982-3	X	X	X	X	X	X	X	X	X	X	X	X	X	X	X	X	X	X	X	X	X	X	X	X	X	X	X	X	X	X	X	X	X	X	X	X	X	X	X	X	X	X	X	X	X	X	X	X	X	X	X	
2050981-2	2050982-2		X	X	X	X	X	X	X	X	X	X	X	X	X	X	X	X	X	X	X	X	X	X	X	X	X	X	X	X	X	X	X	X	X	X	X	X	X	X	X	X	X	X	X	X	X	X	X	X	X	X	
2050981-1	2050982-1	X	X	X	X	X	X	X	X	X	X	X	X	X	X	X	X	X	X	X	X	X	X	X	X	X	X	X	X	X	X	X	X	X	X	X	X	X	X	X	X	X	X	X	X	X	X	X	X	X	X	X	X
PACKING PN	TE PN (48P MIXED HOUSING)	1	2	3	4	5	6	7	8	9	10	11	12	13	14	15	16	17	18	19	20	21	22	23	24	25	26	27	28	29	30	31	32	33	34	35	36	37	38	39	40	41	42	43	44	45	46	47	48				

BLANKED CAVITIES INDICATE CLOSED LOCATIONS  
WITH "X" MARKED CAVITIES INDICATE OPEN LOCATIONS

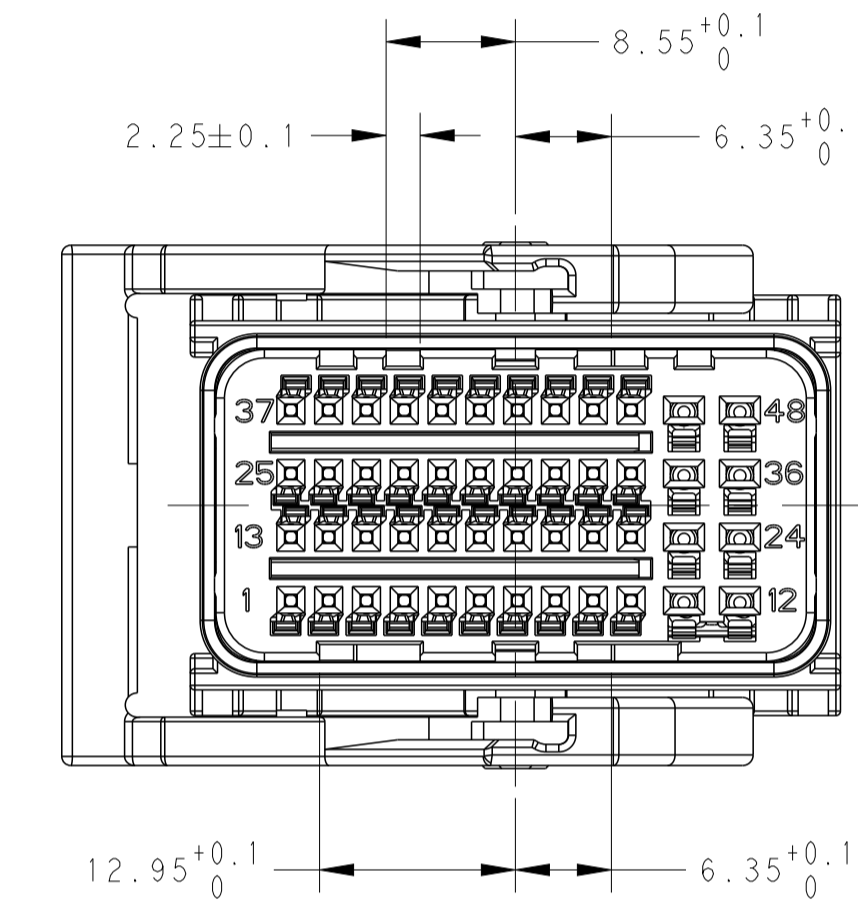


**CODING 1**  
**BLACK**  
**LEVER RIGHT**  
**CABLE EXIT LEFT**  
**PN 2050982**

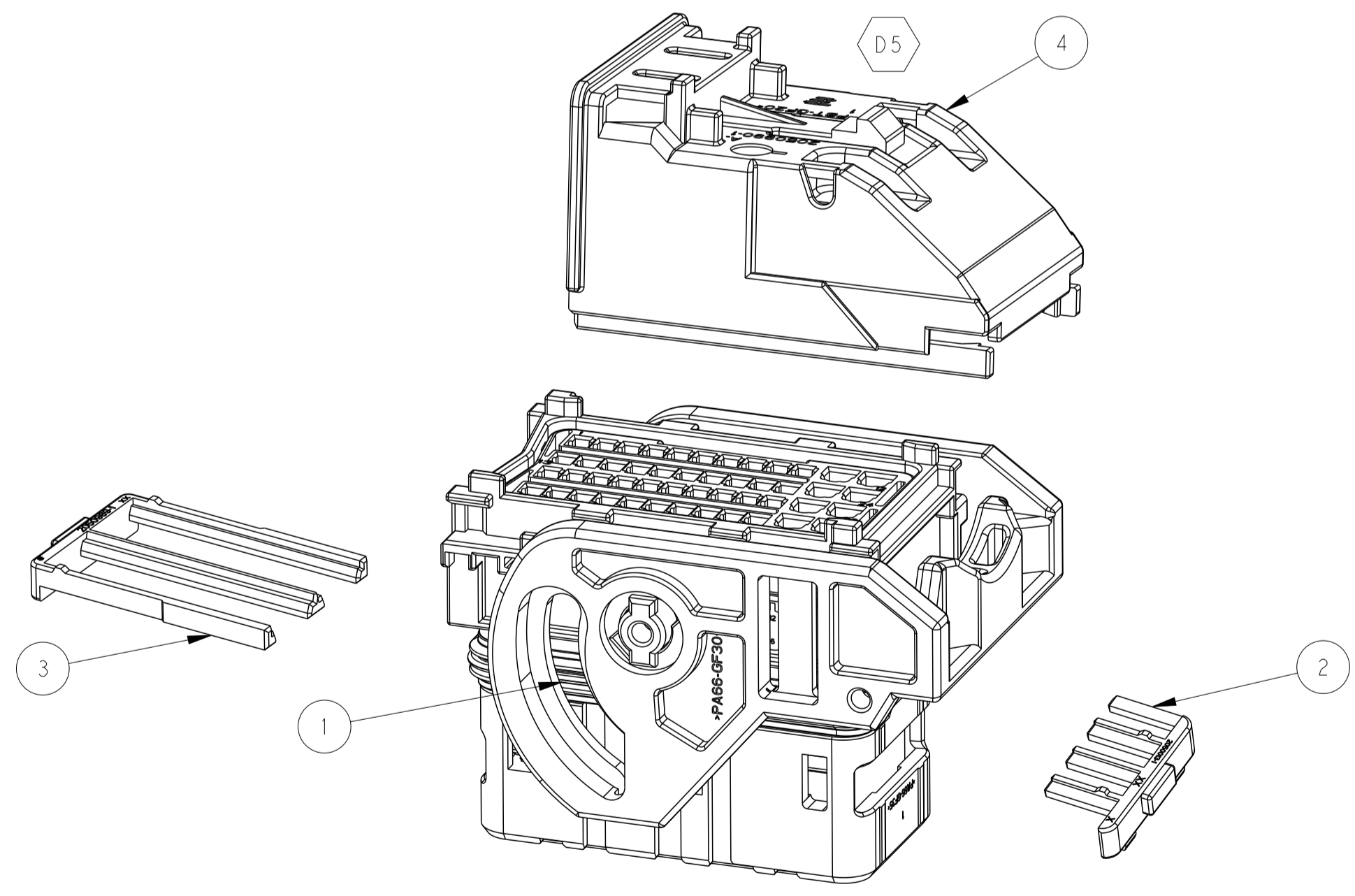
# CODING 1

CAVITY NO.		PINOUT CONFIGURATION																																																				
1	2	3	4	5	6	7	8	9	10	11	12	13	14	15	16	17	18	19	20	21	22	23	24	25	26	27	28	29	30	31	32	33	34	35	36	37	38	39	40	41	42	43	44	45	46	47	48							
2137489-3	2137289-3	X		X		X		X		X																																												
2137489-2	2137289-2		X	X	X	X	X	X	X	X	X	X	X	X	X	X	X	X	X	X	X	X	X	X	X	X	X	X	X	X	X	X	X	X	X	X	X	X	X	X	X	X	X	X	X	X	X	X	X	X	X	X		
2137489-1	2137289-1	X	X	X	X	X	X	X	X	X	X	X	X	X	X	X	X	X	X	X	X	X	X	X	X	X	X	X	X	X	X	X	X	X	X	X	X	X	X	X	X	X	X	X	X	X	X	X	X	X	X	X	X	X
PACKING PN	TE PN (48P MIXED HOUSING)	1	2	3	4	5	6	7	8	9	10	11	12	13	14	15	16	17	18	19	20	21	22	23	24	25	26	27	28	29	30	31	32	33	34	35	36	37	38	39	40	41	42	43	44	45	46	47	48					

BLANKED CAVITIES INDICATE CLOSED LOCATIONS  
WITH "X" MARKED CAVITIES INDICATE OPEN LOCATIONS



**CODING 1**  
**BLACK**  
**LEVER LEFT**  
**CABLE EXIT RIGHT**  
**PN 2137289**



1	1	1	1	1	1	1	1	1	1	1	1	1	2050990-1	COVER	4
1	1	1	1	1	1	1	1	1	1	1	1	1	2050989-1	2ND LOCK MOS	3
1	1	1	1	1	1	1	1	1	1	1	1	1	2050013-2	2ND LOCK 1.5	2
1													X-2137903-X	48P MIXED HOUSING CODE 6, YELLOW	1
	1												X-2137902-X	48P MIXED HOUSING CODE 64, YELLOW	1
		1											X-2137901-X	48P MIXED HOUSING CODE 5, BLUE	1
			1										X-2137900-X	48P MIXED HOUSING CODE 5, BLUE	1
				1									X-2137899-X	48P MIXED HOUSING CODE 4, GREEN	1
					1								X-2137898-X	48P MIXED HOUSING CODE 4, GREEN	1
						1							X-2137293-X	48P MIXED HOUSING CODE 3, BROWN	1
							1						X-2137292-X	48P MIXED HOUSING CODE 3, BROWN	1
								1					X-2137291-X	48P MIXED HOUSING CODE 2, GREY	1
									1				X-2137290-X	48P MIXED HOUSING CODE 2, GREY	1
										1			X-2137289-X	48P MIXED HOUSING CODE 1, BLACK	1
											1		X-2050982-X	48P MIXED HOUSING CODE 1, BLACK	1
X-2137909-X	X-2137908-X	X-2137907-X	X-2137906-X	X-2137905-X	X-2137904-X	X-2137493-X	X-2137492-X	X-2137491-X	X-2137490-X	X-2137489-X	X-2050981-X		PART NO.	DESCRIPTION	ITEM

PACKING PART NO. AND QTY

- NOTES:
- EQUAL QUANTITY OF COMPONENTS TO BE PACKAG TOGETHER IN SAME SHIPPING BOX.
  - APPLICATION TERMINALS SEE TABLE.
  - SPECIAL TERMINAL PERFORMANCE SEE RELEVANT SPEC.

APPLICATION TERMINALS					
T0.64	968221-1	PRE-TIN	0.5 - 0.75	Ø1.4 - 1.9	BLIND PLUG 1394871-1
	2050986-3	PRE-TIN	0.5-0.75	Ø1.7 - Ø1.9	
T1.5	638652-2	PRE-TIN	0.5 - 1.00	Ø1.4 - 2.1	BLIND PLUG 1670108-1
	638652-1	PRE-TIN	1.0 - 1.5	Ø1.9 - 2.4	
TERMINALS	TE PN	FINISH	WIRE SIZE (mm <sup>2</sup> )	WIRE SIZE DIAMETER	NOTES

THIS DRAWING IS A CONTROLLED DOCUMENT.

OWN: B. PU 26AUG2010  
CHK: Y. YANG 26AUG2010  
APVD: K. ODA 02NOV2010

DIMENSIONS: mm

TOLERANCES UNLESS OTHERWISE SPECIFIED:  
 0-PLC ±.3  
 1-PLC ±.2  
 2-PLC ±.3  
 3-PLC ±.3  
 4-PLC ±.3  
 ANGLES ±.3

MATERIAL: -  
FINISH: -

APPLIC. SPEC: 114-18761-1  
WEIGHT: 38.47g

CUSTOMER DRAWING

NAME: 48POS. MIXED RECEPTACLE HOUSING 40xMQS AND 8x1.5

SIZE: A1 00779C=2050981  
SCALE: 1:1 SHEET 1 OF 6 REV D5

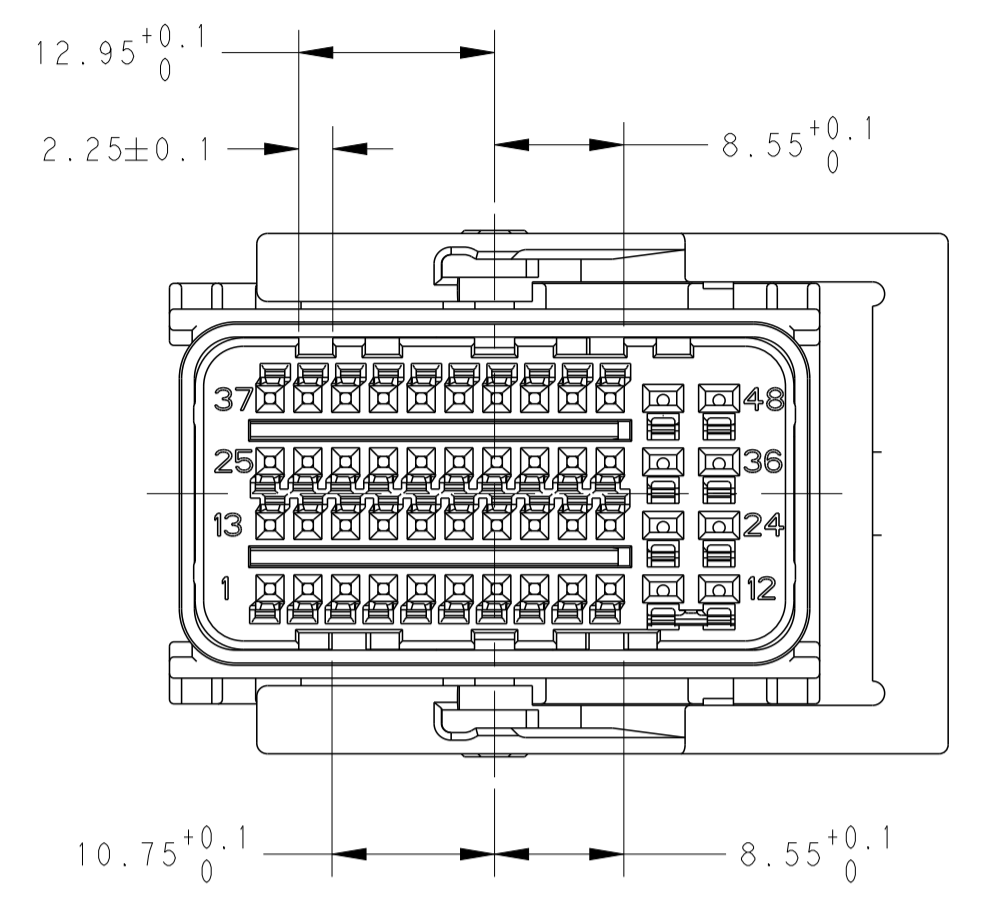
TE Connectivity

THIS DRAWING IS UNPUBLISHED.  
RELEASED FOR PUBLICATION  
20  
COPYRIGHT 20 BY - ALL RIGHTS RESERVED.

LOC	DIST	REVISIONS				
		P	LTN	DATE	DWN	APVD
ES	00	-	SEE SHEET 1	-	-	-

# CODING 2

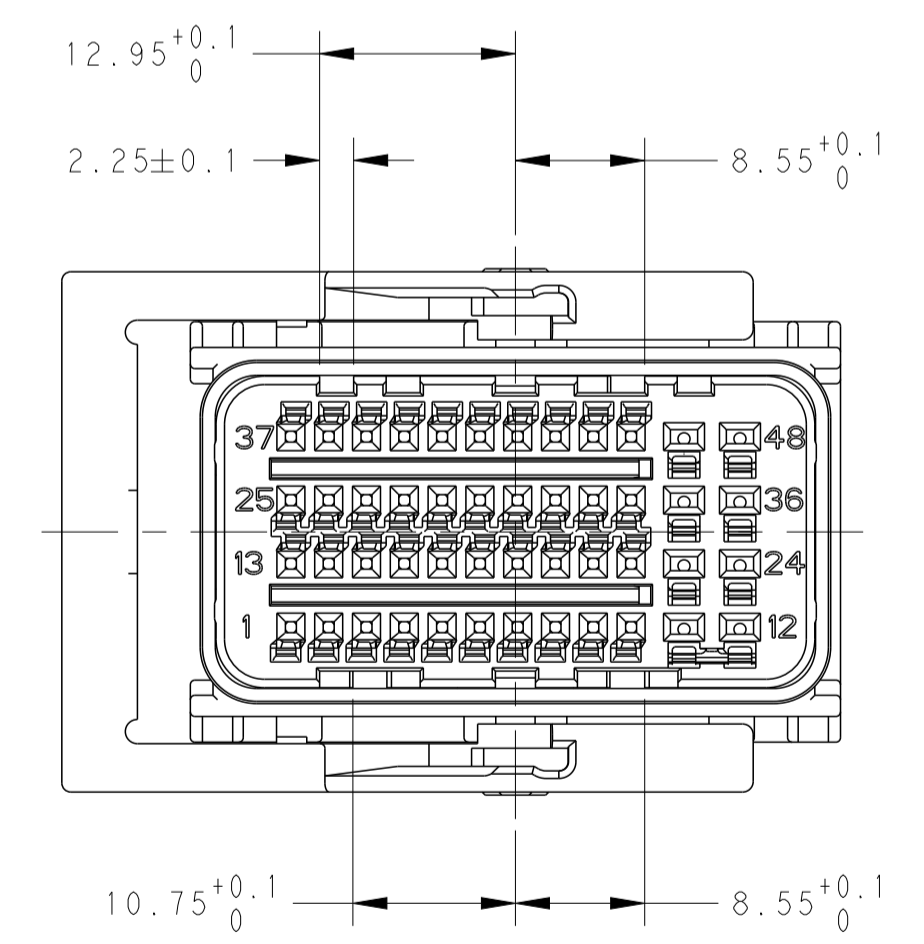
CAVITY NO.		PINOUT CONFIGURATION																																																		
2137490-1	2137290-1	X	X	X	X	X	X	X	X	X	X	X	X	X	X	X	X	X	X	X	X	X	X	X	X	X	X	X	X	X	X	X	X	X	X	X	X	X	X	X	X	X	X	X	X	X	X	X	X	X	X	X
PACKING PN	TE PN (48P MIXED HOUSING)	1	2	3	4	5	6	7	8	9	10	11	12	13	14	15	16	17	18	19	20	21	22	23	24	25	26	27	28	29	30	31	32	33	34	35	36	37	38	39	40	41	42	43	44	45	46	47	48			
		BLANKED CAVITIES INDICATE CLOSED LOCATIONS																																																		
		WITH "X" MARKED CAVITIES INDICATE OPEN LOCATIONS																																																		



**CODING 2**  
**GREY**  
**LEVER RIGHT**  
**CABLE EXIT LEFT**  
**PN 2137290**

# CODING 2

CAVITY NO.		PINOUT CONFIGURATION																																																		
2137491-1	2137291-1	X	X	X	X	X	X	X	X	X	X	X	X	X	X	X	X	X	X	X	X	X	X	X	X	X	X	X	X	X	X	X	X	X	X	X	X	X	X	X	X	X	X	X	X	X	X	X	X	X	X	X
PACKING PN	TE PN (48P MIXED HOUSING)	1	2	3	4	5	6	7	8	9	10	11	12	13	14	15	16	17	18	19	20	21	22	23	24	25	26	27	28	29	30	31	32	33	34	35	36	37	38	39	40	41	42	43	44	45	46	47	48			
		BLANKED CAVITIES INDICATE CLOSED LOCATIONS																																																		
		WITH "X" MARKED CAVITIES INDICATE OPEN LOCATIONS																																																		



**CODING 2**  
**GREY**  
**LEVER LEFT**  
**CABLE EXIT RIGHT**  
**PN 2137291**

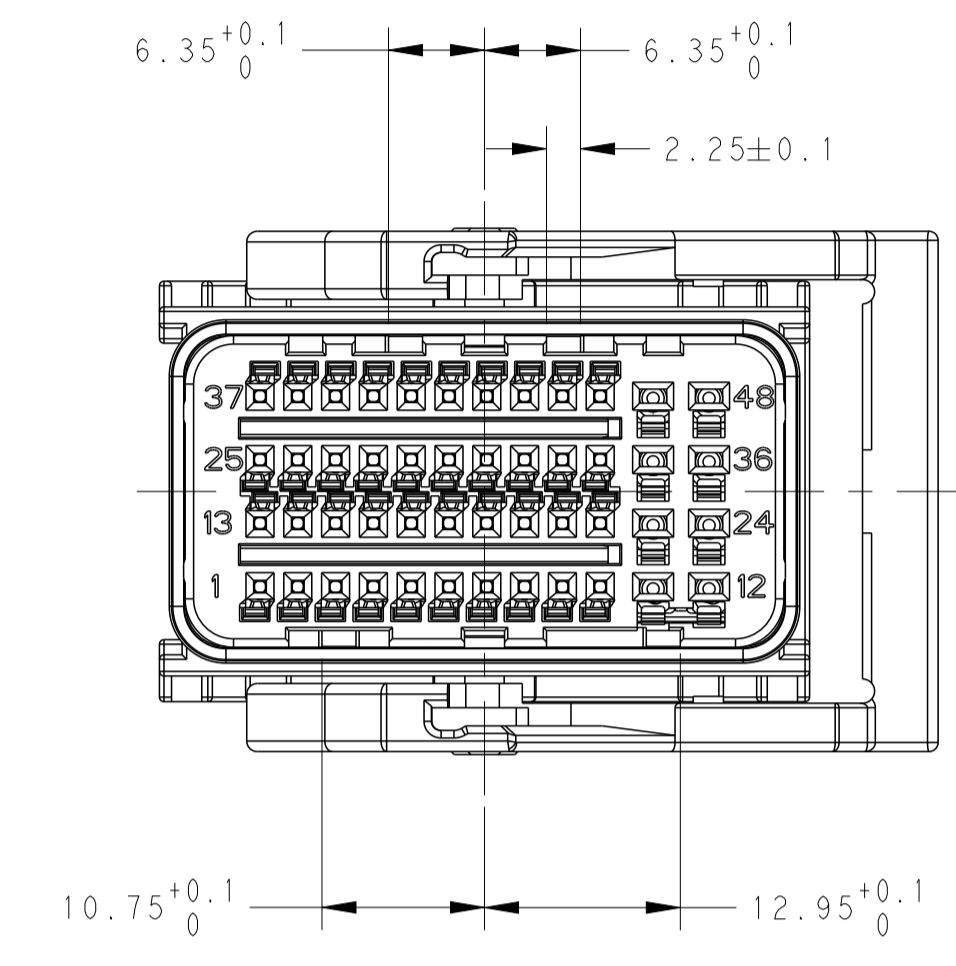
THIS DRAWING IS A CONTROLLED DOCUMENT.		DWN B.PU 26AUG2010	TE Connectivity NAME 48POS. MIXED RECEPTACLE HOUSING 40xMQS AND 8x1.5
DIMENSIONS:		CHK Y. YANG 26AUG2010	
mm		APVD K. ODA 02NOV2010	
0-PLC 1- 1-PLC 20-3 2-PLC 20-3 3-PLC 20-3 4-PLC 20-3 ANGLES 45-5		PRODUCT SPEC	
MATERIAL		APPLICATION SPEC	
		SEE SHEET 1	RESTRICTED TO
		WEIGHT	SIZE CAGE CODE DRAWING NO
		CUSTOMER DRAWING	A100779C=2050981
		SCALE 1:1	SHEET 2 OF 6
			REV D5



LOC	DIST	REVISIONS					
ES	00	P	LTN	DESCRIPTION	DATE	DMN	APVD
		-		SEE SHEET 1		-	-

## CODING 4

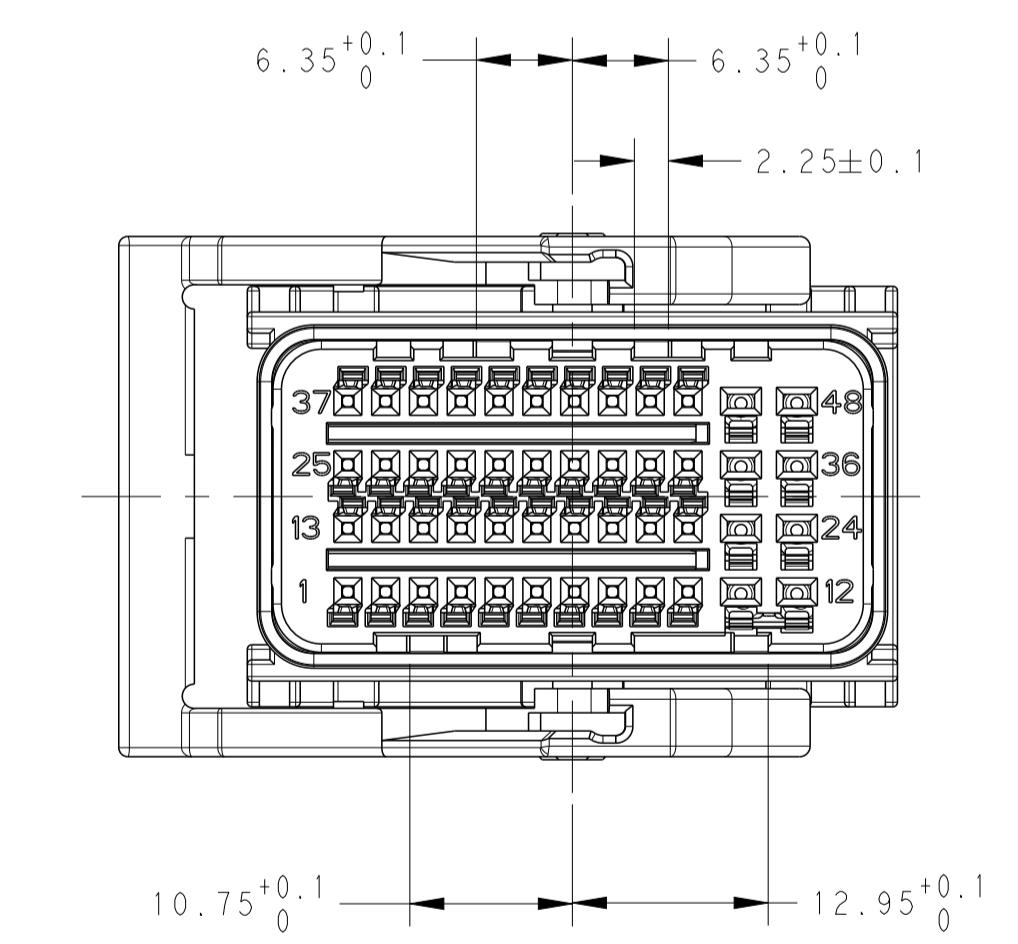
CAVITY NO.		1	2	3	4	5	6	7	8	9	10	11	12	13	14	15	16	17	18	19	20	21	22	23	24	25	26	27	28	29	30	31	32	33	34	35	36	37	38	39	40	41	42	43	44	45	46	47	48	
2137904-3	2137898-3	X	X	X	X		X	X	X	X	X						X	X	X	X	X	X	X				X	X	X	X			X	X	X	X			X	X	X	X			X	X	X	X		
2137904-2	2137898-2	X		X	X	X					X	X	X	X	X	X	X	X	X	X	X	X	X			X	X	X	X	X	X	X	X	X	X	X	X	X	X	X	X	X	X	X	X	X	X	X	X	
2137904-1	2137898-1	X	X	X	X	X	X	X	X	X	X	X	X	X	X	X	X	X	X	X	X	X	X	X	X	X	X	X	X	X	X	X	X	X	X	X	X	X	X	X	X	X	X	X	X	X	X	X	X	X
PACKING PN	TE PN (48P MIXED HOUSING)	1	2	3	4	5	6	7	8	9	10	11	12	13	14	15	16	17	18	19	20	21	22	23	24	25	26	27	28	29	30	31	32	33	34	35	36	37	38	39	40	41	42	43	44	45	46	47	48	
BLANKED CAVITIES INDICATE CLOSED LOCATIONS																																																		
WITH "X" MARKED CAVITIES INDICATE OPEN LOCATIONS																																																		



**CODING 4  
 GREEN  
 LEVER RIGHT  
 CABLE EXIT LEFT  
 PN 2137898**

## CODING 4

CAVITY NO.		1	2	3	4	5	6	7	8	9	10	11	12	13	14	15	16	17	18	19	20	21	22	23	24	25	26	27	28	29	30	31	32	33	34	35	36	37	38	39	40	41	42	43	44	45	46	47	48		
2137905-2	2137899-2	X	X	X	X					X	X	X	X	X	X	X	X	X	X	X	X	X	X	X	X	X	X	X	X	X	X	X	X	X	X	X	X	X	X	X	X	X	X	X	X	X	X	X	X	X	
2137905-1	2137899-1	X	X	X	X	X	X	X	X	X	X	X	X	X	X	X	X	X	X	X	X	X	X	X	X	X	X	X	X	X	X	X	X	X	X	X	X	X	X	X	X	X	X	X	X	X	X	X	X	X	X
PACKING PN	TE PN (48P MIXED HOUSING)	1	2	3	4	5	6	7	8	9	10	11	12	13	14	15	16	17	18	19	20	21	22	23	24	25	26	27	28	29	30	31	32	33	34	35	36	37	38	39	40	41	42	43	44	45	46	47	48		
BLANKED CAVITIES INDICATE CLOSED LOCATIONS																																																			
WITH "X" MARKED CAVITIES INDICATE OPEN LOCATIONS																																																			



**CODING 4  
 GREEN  
 LEVER LEFT  
 CABLE EXIT RIGHT  
 PN 2137899**

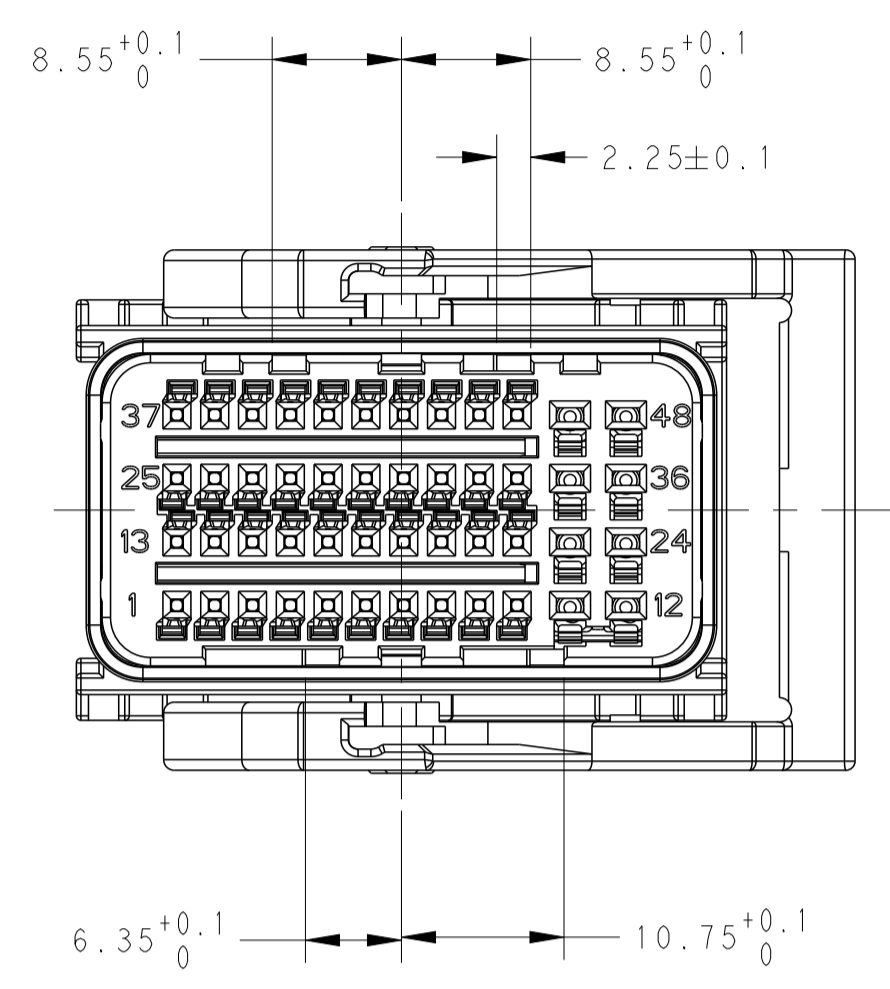
THIS DRAWING IS A CONTROLLED DOCUMENT.

DIMENSIONS:	TOLERANCES UNLESS OTHERWISE SPECIFIED:	DMN: B.PU 26AUG2010	TE Connectivity
mm	0-PLC ±.1 1-PLC ±0.3 2-PLC ±0.3 3-PLC ±0.3 4-PLC ±0.3 ANGLES ±.1	CHK: Y. YANG 26AUG2010	
MATERIAL:	FINISH:	APVD: K. QDA 02NOV2010	NAME: 48POS. MIXED RECEPTACLE HOUSING 40xMQS AND 8x1.5
		APPLICATION SPEC: SEE SHEET 1	SIZE: A1
		WEIGHT:	CAGE CODE: 2050981
		CUSTOMER DRAWING	SCALE: 1:1 SHEET 4 OF 6 REV: D5

LOC	DIST	REVISIONS				
		P	LYR	DATE	DWN	APVD
ES	00	-	-	SEE SHEET 1	-	-

**CODING 5**

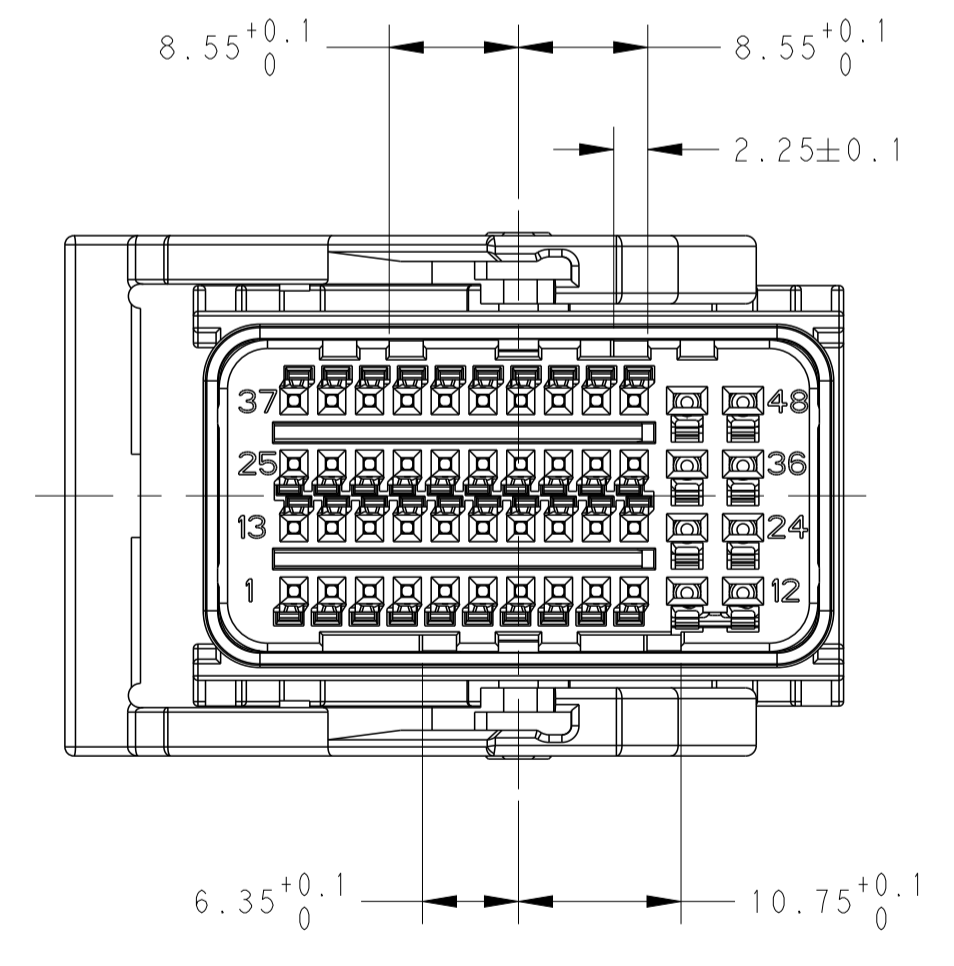
CAVITY NO.		PINOUT CONFIGURATION																																															
		1	2	3	4	5	6	7	8	9	10	11	12	13	14	15	16	17	18	19	20	21	22	23	24	25	26	27	28	29	30	31	32	33	34	35	36	37	38	39	40	41	42	43	44	45	46	47	48
2137906-1	2137900-1	X	X	X	X	X	X	X	X	X	X	X	X	X	X	X	X	X	X	X	X	X	X	X	X	X	X	X	X	X	X	X	X	X	X	X	X	X	X	X	X	X	X	X	X	X	X	X	X
PACKING PN	TE PN (48P MIXED HOUSING)	1	2	3	4	5	6	7	8	9	10	11	12	13	14	15	16	17	18	19	20	21	22	23	24	25	26	27	28	29	30	31	32	33	34	35	36	37	38	39	40	41	42	43	44	45	46	47	48
		BLANKED CAVITIES INDICATE CLOSED LOCATIONS																																															
WITH "X" MARKED CAVITIES INDICATE OPEN LOCATIONS																																																	



**CODING 5  
 BLUE  
 LEVER RIGHT  
 CABLE EXIT LEFT  
 PN 2137900**

**CODING 5**

CAVITY NO.		PINOUT CONFIGURATION																																															
		1	2	3	4	5	6	7	8	9	10	11	12	13	14	15	16	17	18	19	20	21	22	23	24	25	26	27	28	29	30	31	32	33	34	35	36	37	38	39	40	41	42	43	44	45	46	47	48
2137907-1	2137901-1	X	X	X	X	X	X	X	X	X	X	X	X	X	X	X	X	X	X	X	X	X	X	X	X	X	X	X	X	X	X	X	X	X	X	X	X	X	X	X	X	X	X	X	X	X	X	X	X
PACKING PN	TE PN (48P MIXED HOUSING)	1	2	3	4	5	6	7	8	9	10	11	12	13	14	15	16	17	18	19	20	21	22	23	24	25	26	27	28	29	30	31	32	33	34	35	36	37	38	39	40	41	42	43	44	45	46	47	48
		BLANKED CAVITIES INDICATE CLOSED LOCATIONS																																															
WITH "X" MARKED CAVITIES INDICATE OPEN LOCATIONS																																																	



**CODING 5  
 BLUE  
 LEVER LEFT  
 CABLE EXIT RIGHT  
 PN 2137901**

**THIS DRAWING IS A CONTROLLED DOCUMENT.**

DIMENSIONS: mm  
 TOLERANCES UNLESS OTHERWISE SPECIFIED:  
 0-PLC 1  
 1-PLC 10-3  
 2-PLC 20-3  
 3-PLC 40-3  
 4-PLC 10-3  
 ANGLES 20-3  
 MATERIAL  
 FINISH

DWN B.PU 26AUG2010  
 CHK Y. YANG 26AUG2010  
 APVD K. QDA 02NOV2010  
 PRODUCT SPEC  
 APPLICATION SPEC  
 SEE SHEET 1  
 WEIGHT  
 CUSTOMER DRAWING

TE Connectivity  
 NAME 48POS. MIXED RECEPTACLE HOUSING 40xMQS AND 8x1.5  
 SIZE A1  
 CAGE CODE 00779  
 DRAWING NO. 2050981  
 RESTRICTED TO  
 SCALE 1:1 SHEET 5 OF 6 REV D5

## X-ON Electronics

Largest Supplier of Electrical and Electronic Components

*Click to view similar products for [Automotive Connectors](#) category:*

*Click to view products by [TE Connectivity](#) manufacturer:*

Other Similar products are found below :

[003-018-000](#) [60993906-B](#) [M902-2131](#) [M902-2161](#) [M902-2344](#) [72.330.1035.1](#) [73.353.4028.0](#) [F166900](#) [F358300-B](#) [F407400](#) [776880-1](#)  
[827153-1](#) [8N1515-32-24P](#) [9-1326729-8](#) [925474-1](#) [928905-1](#) [964562-4](#) [968782-1](#) [98891-1012](#) [12004475-L](#) [12020308](#) [12041318-B](#)  
[12052466](#) [12064869](#) [12015909](#) [1-21030-1](#) [12041254](#) [12041318](#) [12047946-B](#) [12047957](#) [12110546-B](#) [12131792](#) [12092346](#) [HD34-18-14PT](#)  
[HD46-24-23SN-059](#) [HDB36-24-16PN-059](#) [HDP26-24-9SE-L015](#) [12185550](#) [12147304](#) [12191172-B](#) [12S](#) [13545280](#) [13681974](#) [13737722-B](#)  
[13755420](#) [13783086](#) [13830674](#) [13832576](#) [13849772](#) [13522378](#)